

IMPORTANT:
Read Before Using

IMPORTANT :
Lire avant usage

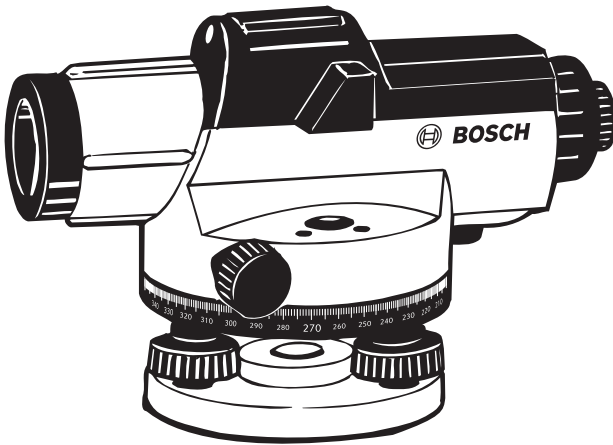
IMPORTANTE:
Leer antes de usar



Operating/Safety Instructions

Consignes de fonctionnement/sécurité

Instrucciones de funcionamiento y seguridad



GOL 24
GOL 26
GOL 32



BOSCH

**Call Toll Free for
Consumer Information
& Service Locations**

**Pour obtenir des informations
et les adresses de nos centres
de service après-vente,
appelez ce numéro gratuit**

**Llame gratis para
obtener información
para el consumidor y
ubicaciones de servicio**

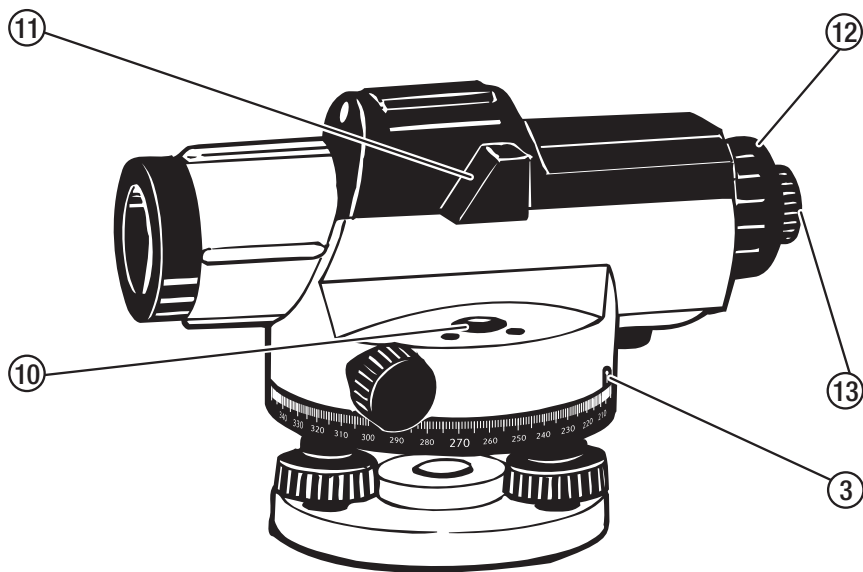
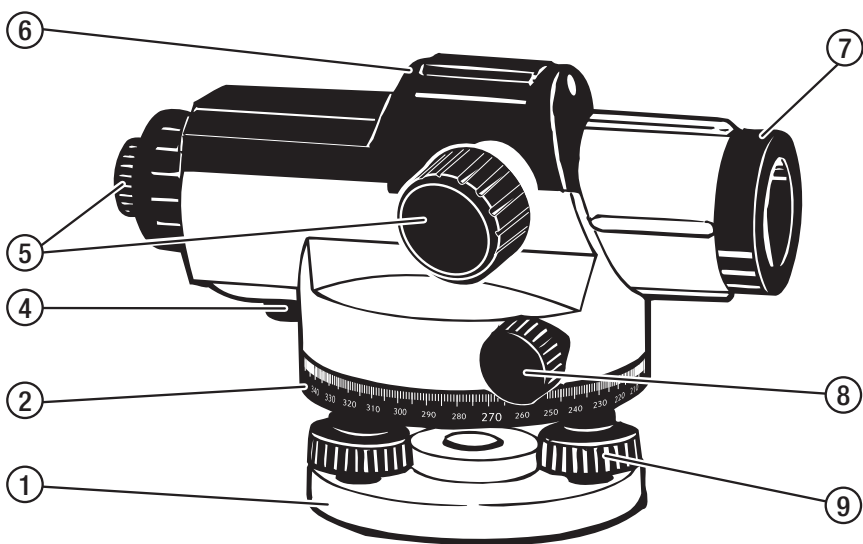
1-877-BOSCH99 (1-877-267-2499) www.boschtools.com

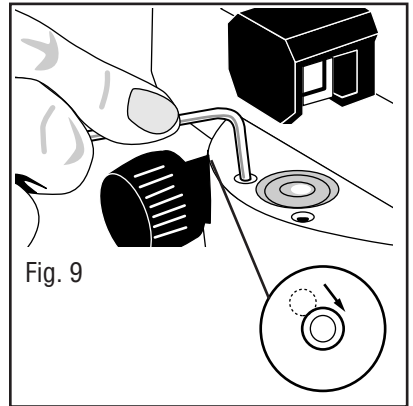
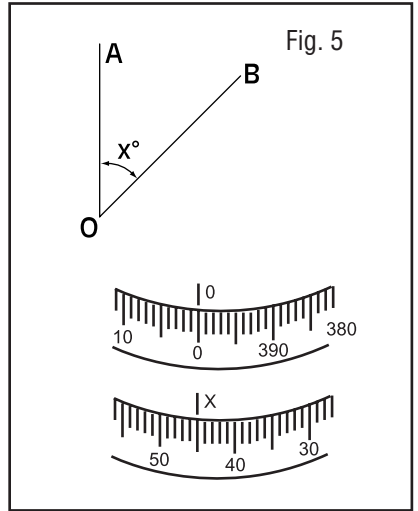
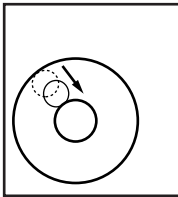
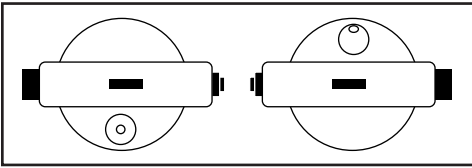
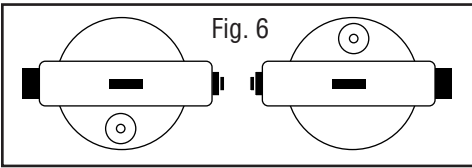
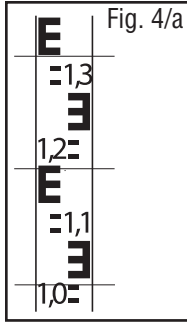
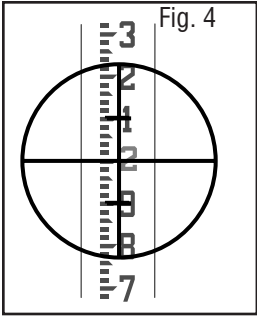
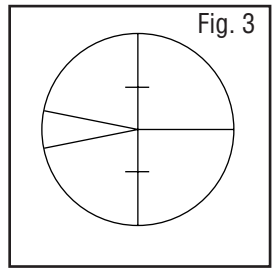
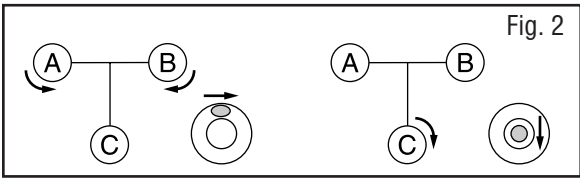
**For English Version
See page 5**

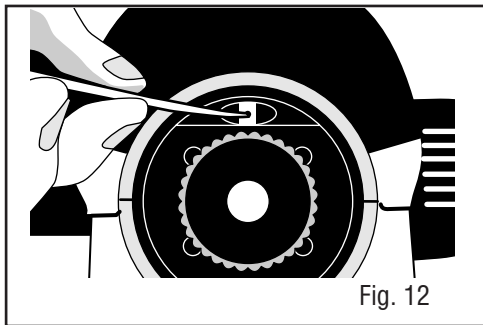
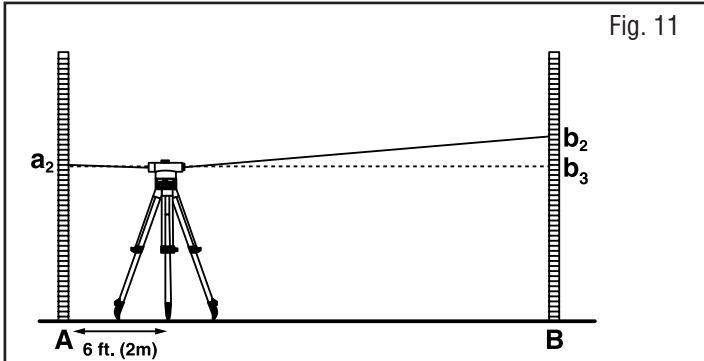
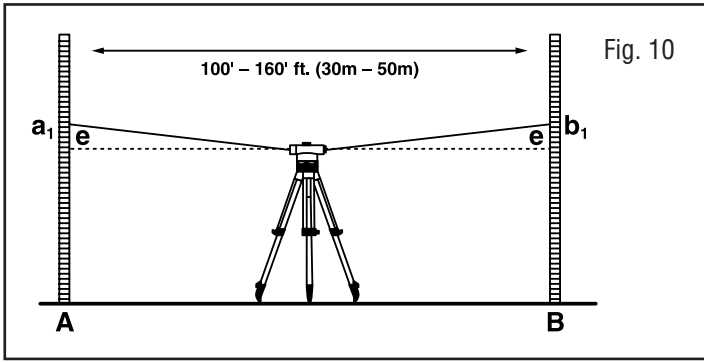
**Version française
Voir page 10**

**Versión en español
Ver la página 15**

Fig. 1







General Safety Rules

Work area safety

▲ WARNING Keep work area clean and well lit. Cluttered or dark areas invite accidents.

Personal safety

Stay alert, watch what you are doing and use common sense when operating a tool. Do not use a tool while you are tired or under the influence of drugs, alcohol or medication. A moment of inattention while operating a tool may result in serious

personal injury or incorrect measurement results.

Use and care

Use the correct tool for your application. The correct tool will do the job better and safer.

Store idle tool out of the reach of children and do not allow persons unfamiliar with the tool or these instructions to operate the tool. Tools are dangerous in the hands of untrained users.

Maintain tools. Check for misalignment or binding of moving parts, breakage of parts and any other condition that may affect the operation. If damaged, repair tool before use. Many accidents are caused by poorly maintained tools.

Use the tool, accessories, etc., in accordance with these instructions and in the manner intended for the particular type of tool, taking into account the working conditions and the work to be performed. Use of the tool for operations different from those intended could result in a hazardous situation.

Service

Have your tool serviced by a qualified repair person using only identical replacement parts. This will ensure that the safety and accuracy of the tool is maintained.

Develop a periodic maintenance schedule for tool. When cleaning a tool be careful not to disassemble any portion of the tool since internal components may be misplaced or pinched or may be improperly mounted. Certain cleaning agents such as gasoline, carbon tetrachloride, ammonia, etc. may damage plastic parts.

SAVE THESE INSTRUCTIONS.

Intended Use

This tool is intended to quickly determine and check level points for any construction job.

Preparation

This manual includes specifications for the GOL Series auto level.

⚠ WARNING **Verify the calibration of the instrument. Before initial use, follow the test shown in the section "Line-of-sight."**

After doing any job using any instrument, it is advised that you check your work. To check your work, set up the instrument in a different

location from the place where you originally set up (approx. 16 m) and reshoot a few of your original targets. The new readings should agree with the first readings.

If the new readings do not agree, you should have the instrument checked by a Bosch Authorized Repair Center, or try the Line-of-sight adjustment.

Features

The numbering of the product features shown refers to the illustration of the tool on the graphic page 2.

- 1 Base Plate
- 2 Horizontal Circle
- 3 Horizontal Circle Reference Mark
- 4 Compensator Lock
- 5 Focusing Knobs

- 6 Optical Peep Sight
- 7 Sunshade / Objective Lens
- 8 Horizontal Drive Screw
- 9 Leveling Screw
- 10 Circular Bubble Vial
- 11 Vial Sighting Prism
- 12 Eyepiece Cover
- 13 Eyepiece Focusing Knob

Technical Data

Automatic Optical Level	GOL 32	GOL 26	GOL 24
Material Number	0601068510	0601068010	0601068610
Magnification	32X	26X	24X
Leveling Accuracy	1/16-in at 100-ft (1.0 mm at 30 m)	1/16-in at 100-ft (1.6 mm at 30 m)	1/16-in at 100-ft (1.6 mm at 30 m)
Working Range	Up to 400-ft (120 m)	Up to 330-ft (100 m)	Up to 300-ft (91 m)
Clear Obj. Aperture	36 mm	36 mm	36 mm
Setting Accuracy	±0.3"	±0.8"	±0.8"
Telescope			
Image	Erect	Erect	Erect
Length	8.3-in (210 mm)	8.3-in (210 mm)	8.3-in (210 mm)
Shortest Focusing Length	1-ft (0.3 m)	1-ft (0.3 m)	1-ft (0.3 m)
Field of View	1°30'	1.5°	1.5°
Stadia Ratio	100	100	100
Stadia Addition	0	0	0
Compensator			
Leveling Range	±15'	±15'	±15'
Magnet Dampening	Yes	Yes	Yes
Sensitivity of Bubble	8 min / 2 mm	8 min / 2 mm	8 min / 2 mm
Circle Graduation	1° or 1 Gon	1° or 1 Gon	1° or 1 Gon
Degree of protection	IP54	IP54	IP54
Instrument Net Weight	3.7 lbs. (1.7 kg)	3.7 lbs. (1.7 kg)	3.7 lbs. (1.7 kg)
Mounting Thread	5/8-11	5/8-11	5/8-11

Operation

Initial Operation

⚠ WARNING Verify the calibration of the instrument. Before initial use, follow the test shown in the section "Line-of-sight."

Protect the tool against moisture and direct sun irradiation.

Do not subject the tool to extreme temperatures or variations in temperature. For an example, do not leave it in a vehicle for long periods. In case of large variations in temperature, allow the tool to adjust to the ambient temperature before putting it into operation. In case of extreme temperatures or variations in temperature, the accuracy of the tool can be impaired.

Avoid heavy impact or dropping of the tool. After heavy exterior impact on the tool, an accuracy check should always be carried out before continuing to work (see "Leveling Accuracy").

Setting up the instrument and centering the bubble

1. Set up the tripod and attach the level using the tripod mounting screw.
2. Adjust the tripod legs until the tripod head is roughly level. Center the bubble within the vial by turning the leveling screws as shown in Fig. 2.
 - 2a – Turn screws A and B to move the bubble to the right side.
 - 2b – Turn screw C to center the bubble.

▲ WARNING Wear eye protection. If Spirit Level leaks, soak up with appropriate absorbent material and dispose of safely. Spirit Level contains flammable liquid that may cause respiratory tract, eye and skin irritation.

Focusing the instrument

1. Focus the cross hairs (Fig. 3) by pointing the telescope towards a bright background or holding a white sheet of paper in front of the objective lens, then turning the eyepiece until the cross hairs are sharp and black.
2. Focus the telescope by locating a target, such as a leveling rod, using the optical peep sight. Looking through the eyepiece, use the focusing knob to bring the target into sharp focus. Center the vertical hair within the target using the horizontal drive knobs on either side of the instrument.

▲ WARNING Do not look through optics directly into the sun.

Eyesight damage may result.

Reading measurements using a leveling rod

Height reading

Read the rod where it is intersected by the horizontal hair. For example, the height reading in Fig. 4 is 2.0ft and Fig. 4/a1, 195m.

Distance measurement

Read the rod where it is intersected by the upper and lower stadia hairs; in Fig. 4 (Fig. 4/a) these readings are at 1.9 ft and 2.1 ft (1,352 m and 1,038 m). The stadia ratio is 1:100; therefore, the distance from the instrument to the rod is: $(2.1 - 1.9) \times 100 = 20$ feet - Fig. 4/a $(1,352 - 1,038) \times 100 = 31,41m$.

Angle measurement

As shown in Fig. 5, sight point A and rotate the horizontal circle until the reference mark is on "0". Rotate the level and sight point B; the reference mark will indicate the angle between A and B.

Calibration

▲ WARNING Verify the calibration of the instrument. Before initial use, follow the test shown in the section "Line-of-sight." Bosch recommends that your instrument be verified for calibrated on a regular interval as well as after rough handling, impact on, or drop of the instrument.

Compensator lock button

Check the compensator for proper operation before use or anytime the operation of the instrument is in question. Push and release the compensator lock button to shake the compensator. The compensator should return to the exact horizontal position sighted before the lock button was pressed.

Circular bubble vial

Center the vial bubble using the leveling screws, then rotate the instrument 180°. The bubble should remain centered (Fig. 6). If the bubble moves out of center, the vial needs adjustment (Fig.7).

Turn the leveling screws to bring the bubble halfway to center (Fig. 8). Using the Allen wrench, turn the two vial adjustment screws to center the bubble (Fig. 9).

Repeat the above procedure until the bubble remains centered when the level is rotated 180°.

Line-Of-Sight

The line-of-sight needs to be horizontal within 3 mm of level to be accurate.

Set up and level the instrument on a tripod midway between two leveling rods set approximately 30 m to 50 m apart. Sight rods A and B; the height readings are a1 and b1 (Fig. 10). The value "H" is equal to $(a1 - b1)$. Move the instrument to within 6 feet (2m) of rod A and re-level. Again sight rods A and B; these height readings are a2 and b2 (Fig. 11).

If $a1 - b1 = a2 - b2 = H$, the line-of-sight is horizontal. If not, the level should be adjusted as follows.

Because the instrument is set halfway between A and B, any error in the line-of-sight causes both readings to be erroneous by the same amount. Error “e” cancels out, so the value $a_1 - b_1 = H$ is correct. Therefore, $a_2 - H = b_3$, the adjusting value.

To adjust, unscrew the eyepiece cover. Turn the adjusting screw with the adjusting pin (Fig. 12) until the horizontal cross hair gives the reading b_3 , on rod B. Repeat the above Procedure until $\{(a_1 - b_1) - (a_2 - b_2)\} \leq 3$ mm.

Maintenance and Service

⚠ WARNING Care must be taken to maintain the accuracy of the instrument.

After each use, the instrument should be wiped clean and kept in its carrying case.

Remove dust from the lenses with a soft brush or a nonabrasive wipe. Never touch the lenses with your fingers.

Store the instrument in a dust-free area with low humidity.

A bag of silica gel dryer is included with each instrument; if it has stopped working effectively, bake it to remove moisture or replace with a new bag.

If the tool should fail despite the care taken in manufacturing and testing

procedures, repair should be carried out by an authorized after-sales service center for Bosch measuring tools.

In all correspondence and spare parts orders, please always include the 10-digit article number given on the type plate of the tool. In case of repairs, send in the tool packed in its protective case.

ENVIRONMENT PROTECTION

Recycle raw materials & batteries instead of disposing of waste. The unit, accessories, packaging & used batteries should be sorted for environmentally friendly recycling in accordance with the latest regulations.



LIMITED WARRANTY OF BOSCH LASER AND MEASURING TOOL PRODUCTS

Limited Warranty Program

Robert Bosch Tool Corporation ("Seller") warrants to the original purchaser only, that all Bosch lasers and measuring tools will be free from defects in material or workmanship for a period of one (1) year from date of purchase. Bosch will extend warranty coverage to two (2) years when you register your product within eight (8) weeks after date of purchase. Product registration card must be complete and mailed to Bosch (postmarked within eight weeks after date of purchase), or you may register on-line at www.boschtools.com/Service/ProductRegistration. If you choose not to register your product, a one (1) year limited warranty will apply to your product.

30 Day Money Back Refund or Replacement -

If you are not completely satisfied with the performance of your laser and measuring tools, for any reason, you can return it to your Bosch dealer within 30 days of the date of purchase for a full refund or replacement. To obtain this 30-Day Refund or Replacement, your return must be accompanied by the original receipt for purchase of the laser or optical instrument product. A maximum of 2 returns per customer will be permitted.

SELLER'S SOLE OBLIGATION AND YOUR EXCLUSIVE REMEDY under this Limited Warranty and, to the extent permitted by law, any warranty or condition implied by law, shall be the repair or replacement of parts, without charge, which are defective in material or workmanship and which have not been misused, carelessly handled, or misrepaired by persons other than Seller or Authorized Service Center. To make a claim under this Limited Warranty, you must return the complete Bosch laser or measuring tool, transportation prepaid, to any BOSCH Factory Service Center or Authorized Service Center. Please include a dated proof of purchase with your tool. For locations of nearby service centers, please use our on-line service locator or call 1-877-267-2499.

THIS WARRANTY PROGRAM DOES NOT APPLY TO TRIPODS AND RODS. Robert Bosch Tool Corporation ("Seller") warrants tripods and leveling rods for a period of one (1) year from date of purchase.

THIS LIMITED WARRANTY DOES NOT APPLY TO OTHER ACCESSORY ITEMS AND RELATED ITEMS. THESE ITEMS RECEIVE A 90 DAY LIMITED WARRANTY.

To make a claim under this Limited Warranty, you must return the complete product, transportation prepaid. For details to make a claim under this Limited Warranty please visit www.boschtools.com or call 1-877-267-2499.

ANY IMPLIED WARRANTIES SHALL BE LIMITED IN DURATION TO ONE YEAR FROM DATE OF PURCHASE. SOME STATES IN THE U.S., AND SOME CANADIAN PROVINCES DO NOT ALLOW LIMITATIONS ON HOW LONG AN IMPLIED WARRANTY LASTS, SO THE ABOVE LIMITATION MAY NOT APPLY TO YOU.

IN NO EVENT SHALL SELLER BE LIABLE FOR ANY INCIDENTAL OR CONSEQUENTIAL DAMAGES (INCLUDING BUT NOT LIMITED TO LIABILITY FOR LOSS OF PROFITS) ARISING FROM THE SALE OR USE OF THIS PRODUCT. SOME STATES IN THE U.S., AND SOME CANADIAN PROVINCES DO NOT ALLOW THE EXCLUSION OR LIMITATION OF INCIDENTAL OR CONSEQUENTIAL DAMAGES, SO THE ABOVE LIMITATION MAY NOT APPLY TO YOU.

THIS LIMITED WARRANTY GIVES YOU SPECIFIC LEGAL RIGHTS, AND YOU MAY ALSO HAVE OTHER RIGHTS WHICH VARY FROM STATE TO STATE IN THE U.S., OR PROVINCE TO PROVINCE IN CANADA AND FROM COUNTRY TO COUNTRY.

THIS LIMITED WARRANTY APPLIES ONLY TO PRODUCTS SOLD WITHIN THE UNITED STATES OF AMERICA, CANADA AND THE COMMONWEALTH OF PUERTO RICO. FOR WARRANTY COVERAGE WITHIN OTHER COUNTRIES, CONTACT YOUR LOCAL BOSCH DEALER OR IMPORTER.

Consignes générales de sécurité

Sécurité sur le lieu de travail

AVERTISSEMENT Maintenez votre lieu de travail propre et bien éclairé. Les lieux de travail encombrés ou sombres invitent les accidents.

Sécurité personnelle

Restez alerte, surveillez ce que vous êtes en train de faire et faites preuve de bons sens lorsque vous utilisez un quelconque outil. N'utilisez pas un outil pendant que vous êtes fatigué(e) ou sous l'influence de drogues, d'alcool ou de médicaments. Un moment d'inattention pendant que vous vous servez d'un outil risquerait de causer de graves blessures personnelles ou de produire des résultats de mesures imprécis.

Utilisation et entretien

Utilisez l'outil correct pour votre application. L'instrument de mesure, de détection et de tracé de topologies correct vous permettra de faire un meilleur travail et avec plus de sécurité à la vitesse pour laquelle il a été conçu.

Rangez l'instrument hors de la portée des enfants lorsque vous ne vous en servez pas, et ne laissez pas de personnes ne connaissant pas bien cet instrument ou n'ayant pas lu ce mode d'emploi mettre l'outil en marche. De tels instruments pourraient être dangereux entre les mains d'utilisateurs n'ayant pas reçu la formation nécessaire à leur utilisation.

Entretenez vos instruments. Assurez-vous que les pièces sont alignées correctement et que les

pièces mobiles ne se coincent pas, qu'il n'y a pas de pièces brisées ou d'autres conditions pouvant affecter le fonctionnement. Réparez tout instrument endommagé avant de vous en servir. De nombreux accidents par des instruments de mesure, de détection et de tracé de topologies mal entretenus.

Utilisez l'outil, les accessoires, etc. conformément à ce mode d'emploi et de la manière prévue pour le type particulier d'instrument, en tenant compte des conditions de travail à réaliser. L'emploi de cet instrument pour des opérations différentes de celles qui sont indiqués dans le mode d'emploi risquerait de causer une situation dangereuse.

Service après-vente

Faites réparer votre instrument par un réparateur agréé n'utilisant que des pièces de rechange identiques. Ceci assurera le respect des prescriptions de sécurité et précision pour l'instrument. Préparez un calendrier de maintenance périodique pour l'instrument.

Lorsque vous nettoyez un instrument, faites attention de ne pas démonter une partie quelconque de l'instrument étant donné que des fils internes risqueraient d'être déplacés ou pincés, ou qu'ils pourraient être remontés de façon incorrecte. Certains produits de nettoyage tels que de l'essence, du tétrachlorure de carbone, de l'ammoniac, etc. risqueraient d'endommager les composants en plastique.

CONSERVEZ CES INSTRUCTIONS

Emploi prévu

Cet outil est rapidement voulu déterminer et vérifier des points nivelle pour n'importe quel travail de construction.

Préparation

Ce manuel regroupe les spécifications techniques des niveaux automatiques GOL Series.

AVERTISSEMENT Vérifier l'étalonnage de l'instrument. Avant la première utilisation, suivez le test indiqué dans la section « Ligne de visée. »

Ce mode d'emploi inclut des spécifications pour le niveau automatique GOL26/32. Nous vous recommandons de vérifier l'instrument en utilisant l'essai mentionné dans la section consacrée à la ligne de visée avant de l'utiliser afin de contrôler (ou de régler si besoin est) l'étalonnage du niveau automatique.

Aussi est-il conseillé de contrôler l'appareil avant toute utilisation selon la procédure décrite au chapitre "Nivellement de contrôle".

Après utilisation de l'appareil, il est conseillé de contrôler le résultat obtenu. Positionner l'appareil à un endroit différent de sa position initiale, à environ

16 m de distance et reprendre certaines des mesures. Les nouvelles lectures doivent correspondre aux précédentes. S'il n'en est pas ainsi, régler l'appareil en suivant les indications du chapitre "Nivellement de contrôle" ou encore contacter le revendeur le plus proche ou le service après-vente.

Features

La numérotation des éléments de l'appareil se réfère à la représentation de l'appareil de mesure sur la page graphique.

- | | |
|---|--|
| <ul style="list-style-type: none"> 1 Embase 2 Cercle horizontal 3 Repère du cercle gradué 4 Blocage du compensateur 5 Boutons de mise au point | <ul style="list-style-type: none"> 6 Viseur optique 7 Objectif 8 Vis de mouvement fin 9 Vis calante 10 Nivelles circulaires 11 Miroir de renvoi de nivelles 12 Bonnette d'oculaire 13 Oculaire |
|---|--|

Données techniques

Niveau optique automatique	GOL 32	GOL 26	GOL 24
Numéro de l'article	0601068510	0601068010	0601068610
Grossissement	32X	26X	24X
Précision de mise a niveau	1.0 mm á 30 m (1/16 po á 100 pi)	1.6 mm á 30 m (1/16 po á 100 pi)	1.6 mm á 30 m (1/16 po á 100 pi)
Distance d'utilisation	Jusqu' à 120 m (400 pi)	Jusqu' à 100 m (330 pi)	Jusqu' à 91 m (300 pi)
Ouverture de l'objectif	36 mm	36 mm	36 mm
Précision du compensateur	±0.3"	±0.8"	±0.8"
Lunette			
Image	Droite	Droite	Droite
Longueur	8.3-in (210 mm)	8.3-in (210 mm)	8.3-in (210 mm)
Visé minimale	1-ft (0.3 m)	1-ft (0.3 m)	1-ft (0.3 m)
Champ visuel	1°30'	1.5°	1.5°
Facteur stadimétrique	100	100	100
Constante d'addition	0	0	0
Compensateur			
Plage du travail	±15'	±15'	±15'
Amortissement magnétique	Oui	Oui	Oui
Précision de la nivelles	8 min / 2 mm	8 min / 2 mm	8 min / 2 mm
Système de mesure du cercle	1° ou 1 Gon	1° ou 1 Gon	1° ou 1 Gon
Degré de protection	IP54	IP54	IP54
Poids	1,7 kg (3,7 livres)	1,7 kg (3,7 livres)	1,7 kg (3,7 livres)
Filetage	5/8-11	5/8-11	5/8-11

Consignes d'utilisation

Mise en service

▲ AVERTISSEMENT Vérifier l'étalonnage de l'instrument. Avant la première utilisation, suivez le test indiqué dans la section « Ligne de visée. »

Protéger l'appareil de mesure contre l'humidité, ne pas l'exposer aux rayons directs du soleil.

Ne pas exposer l'appareil de mesure à des températures extrêmes ou de forts changements de température. Ne le laissez pas traîner longtemps dans la voiture par ex. En cas d'importants changements de température, laissez l'appareil de mesure prendre la température ambiante avant de le mettre en service. Des températures extrêmes ou de forts changements de température peuvent entraver la précision de l'appareil de mesure.

Éviter les chocs ou les chutes de l'appareil de mesure. Lorsque l'appareil de mesure a été soumis à de fortes influences extérieures, toujours effectuer un contrôle de précision avant de continuer à travailler (voir « Précision de nivellement »).

Mise sur trépied et réglage de la nivelle sphérique

1. Fixer le niveau sur le trépied à l'aide de la pompe orange située vers le plateau du trépied.
2. Régler la nivelle sphérique à l'aide des 3 vis calantes selon la manière décrite ci-dessous en Fig. 2.

2 a – Tourner simultanément et en sens opposé les vis calantes A et B jusqu'à ce que la bulle se trouve sur un T imaginaire.

2 b – Amener ensuite la bulle au centre de son cercle repère à l'aide de la vis calante C.

▲ AVERTISSEMENT Portez des lunettes de protection. Si le niveau à bulle d'air fuit, enduisez-le d'un matériau absorbant approprié et mettez-le au rebut en toute sécurité.

Le niveau à bulle d'air contient un liquide inflammable qui pourrait irriter l'appareil respiratoire, les yeux et la peau.

Mise au point de la lunette de visée

1. Orienter la lunette en direction du jour en plaçant devant l'objectif une feuille de papier blanc. Tourner l'oculaire jusqu'à ce que le réticule soit net bien noir (Fig. 3).
2. A l'aide du viseur située au-dessus de l'appareil, pointer l'instrument sur la mire placée sur le point à relever. Tourner le bouton de réglage situé sur le côté droit de la lunette afin d'obtenir une mise au point

correcte. Pour régler la lunette dans l'axe de la mire, tourner les vis de mouvement fin situées à droite et à gauche de l'appareil.

▲ AVERTISSEMENT Ne regardez pas directement le soleil à travers le verre optique. Ceci risquerait de causer un traumatisme à la rétine.

Lecture sur la mire

Lecture en hauteur

Lire la position du fil horizontal du milieu sur l'image de la mire. La hauteur lue sur l'exemple en Fig.

4/a (Fig. 4) est de 1,195 m (2.0 pi).

Estimation de distance

Lire les deux fils stadimétriques extrêmes hauts et bas. Faire la différence entre la lecture d'en haut et la lecture d'en bas. Vous obtenez une valeur que vous multipliez par 100. En Fig. 4/b: $(1,352 \text{ m} - 1,038 \text{ m}) \times 100 = 31,40 \text{ m}$. En Fig. 4: $(2.1 - 1.9) \times 100 = 20$ pieds

Mesure d'angles

Comme indiqué en Fig. 5, viser le point A et tourner le cercle horizontal jusqu'à ce que le repère situé sur le corps du niveau soit en face du 0 du cercle puis tourner le niveau pour viser le point B. Lire la valeur de l'angle AB au repère.

Réglage

▲ AVERTISSEMENT Vérifier l'étalonnage de l'instrument. Avant la première utilisation, suivez le test indiqué dans la section « Ligne de visée. » Bosch recommande que votre instrument soit vérifié périodiquement afin de le ré-étalonner à intervalles réguliers ainsi qu'en cas de manipulation brutale ou de choc, ou si vous avez laissé tomber l'instrument.

Touche de blocage du compensateur

Vérifier le compensateur avant de l'utiliser. Appuyer sur la touche de blocage et la relâcher pour actionner le compensateur. Celui-ci doit revenir exactement à la position horizontale qu'il occupait avant que la touche de blocage ne soit enfoncée.

Nivelle circulaire

Centrer la bulle et tourner l'instrument de 200 g. La nivelle ne doit pas bouger de son centre (Fig. 6). Si la bulle s'est décentrée, vous devez la régler (Fig. 7).

Tourner les vis calantes pour éliminer la moitié de l'écart (Fig. 8). Enlever l'autre moitié de l'écart à l'aide de votre clé (Fig. 9). En vissant, la bulle se déplace en direction de cette vis. En dévissant, elle s'en éloigne.

Nivellement de contrôle

Choisir un point stable A et B. A et B doivent être distants de 30 à 50 m.

Placer l'instrument au milieu de ces 2 points. Lire les hauteurs sur la mire A et B et faire la différence de hauteur (Fig. 10). La valeur $H = a1 - b1$. Mettre alors l'instrument à 2 m de la mire A et recalibrer l'instrument. Lire alors la lecture sur la mire A et la mire B. Les hauteurs lues sont $a2$ et $b2$ (Fig. 11). Si $a1 - b1 = a2 - b2 = H$, alors le réglage est bon. Sinon, le niveau doit être ajusté selon la méthode ci-dessous.

Prenez la valeur $H = a1 - b1$. Il va falloir régler la lunette avec la valeur $b3 = a2 - H$.

Pour cela, dévisser la bonnette d'oculaire. Tourner la vis d'ajustement avec l'accessoire de réglage (Fig. 12), jusqu'à ce que le réticule horizontal donne la valeur $b3$ sur la mire B. Répétez l'opération jusqu'à ce que: $\{(a1 - b1) - (a2 - b2)\} < / = 3 \text{ mm}$.

Maintenance et service

AVERTISSEMENT Nettoyage et séchage. Si l'instrument a été mouillé, l'essuyer avant de le placer dans son coffret et le sortir dès que possible pour lui permettre de sécher complètement. Maintenir l'instrument propre. Enlever la poussière sur l'objectif, l'oculaire et la nivelle avec un pinceau doux et fin. Aucun liquide ne doit être utilisé.

Entreposage. Un instrument humide ne doit jamais être entreposé dans son coffret fermé. Ranger l'appareil à l'abri de la poussière et de l'humidité.

Un sachet de gel de silice accompagne la livraison de chaque appareil. Lorsque le gel n'est plus efficace, remplacer le sachet par un neuf.

Si, malgré tous les soins apportés à la fabrication et au contrôle de l'appareil de mesure, celui-ci devait avoir un défaut, la réparation ne doit être confiée

qu'à une station de service après-vente agréée pour outillage Bosch.

Pour toute demande de renseignement ou commande de pièces de rechange, nous préciser impérativement le numéro d'article à dix chiffres de l'appareil de mesure indiqué sur la plaque signalétique.

Au cas où l'appareil devrait être réparé, l'envoyer dans son étui de protection.

PROTECTION DE L'ENVIRONNEMENT

Recyclez les matières premières et les piles au lieu de les mettre au rebut. L'instrument, ses accessoires, son conditionnement et les piles usées doivent être triés en vue d'un recyclage écologique conforme aux lois les plus récentes.



GARANTIE LIMITÉE DES PRODUITS LASER ET AUTRES INSTRUMENTS DE MESURE BOSCH

Programme de garantie limitée

Robert Bosch Tool Corporation (« Vendeur ») garantit, exclusivement à l'acheteur initial, que tous les outils laser et de mesure de Bosch ne comporteront aucun défaut de matériau ou de fabrication pendant une période d'un (1) an à compter de la date de l'achat. Bosch fournira une couverture de garantie portée à deux (2) ans si vous enregistrez votre produit dans les huit (8) semaines suivant la date de l'achat. La carte d'enregistrement du produit doit être complète et envoyée à Bosch (avec un cachet de la poste indiquant une date de moins de huit semaines après la date de l'achat), ou vous pouvez vous inscrire en ligne à www.boschtools.com/Service/ProductRegistration. Si vous décidez de ne pas faire enregistrer votre produit, une garantie limitée d'un (1) an s'appliquera à votre produit.

Remboursement ou remplacement du produit jusqu' 30 jours -

Si vous n'êtes pas complètement satisfait(e) par la performance de vos outils laser et de mesure pour quelque raison que ce soit, vous pouvez les rapporter à votre détaillant Bosch dans les 30 jours suivant la date de l'achat pour obtenir un remboursement intégral ou un remplacement. Pour obtenir ce remboursement du prix ou ce remplacement du produit jusqu'à 30 jours après l'achat, votre retour doit être accompagné par l'original du reçu correspondant à l'achat du produit laser ou de l'instrument optique. Un maximum de deux retours par client sera autorisé.

LA SEULE OBLIGATION DU VENDEUR ET VOTRE SEUL REMÈDE en vertu de cette Garantie limitée et, dans la mesure où la loi le permet, de toute autre garantie ou condition légalement implicite, seront la réparation ou le remplacement à titre gratuit des pièces qui seront jugées défectueuses pour cause de vice de matériau ou de fabrication et qui n'auront pas été utilisées de façon abusive, manipulées sans précautions ou réparées incorrectement par des personnes autres que le Vendeur ou un Centre de service après-vente agréé. Pour vous prévaloir de la présente Garantie limitée, vous devez retourner la totalité de l'outil laser ou de l'outil de mesure Bosch, en port payé, à un Centre de service après-vente usine ou à un centre de service après-vente agréé de BOSCH. Veuillez inclure un justificatif d'achat dûment daté avec votre outil. Pour trouver les adresses des centres de service après-vente, veuillez utiliser notre guide en ligne [service locator](http://service.locator), ou téléphoner au 1-877-267-2499.

CE PROGRAMME DE GARANTIE NE S'APPLIQUE PAS AUX TRÉPIEDS OU AUX MIRES DE NIVELLEMENT. Robert Bosch Tool Corporation (« Vendeur ») garantit les trépieds et les mires de nivellement pendant une période d'un (1) an à compter de la date de l'achat.

CETTE GARANTIE LIMITÉE NE S'APPLIQUE PAS À D'AUTRES ACCESSOIRES ET ARTICLES COMPLÉMENTAIRES. CES DERNIERS BÉNÉFICIENT D'UNE GARANTIE LIMITÉE DE 90 JOURS.

Pour vous prévaloir de la présente Garantie limitée, vous devez retourner la totalité du produit en port payé. Pour plus de détails sur le recours à la présente Garantie limitée, veuillez visiter www.boschtools.com ou téléphoner au 1-877-267-2499.

LA DURÉE DE TOUTE GARANTIE IMPLICITE SERA LIMITÉE À UN AN À COMPTER DE LA DATE DE L'ACHAT. COMME CERTAINS ÉTATS AUX ÉTATS-UNIS ET CERTAINES PROVINCES AU CANADA NE PERMETTENT PAS DE LIMITATIONS SUR LA DURÉE D'UNE GARANTIE IMPLICITE, LA LIMITATION CI-DESSUS NE S'APPLIQUE PEUT-ÊTRE PAS À VOUS.

LE VENDEUR NE SERA EN AUCUN CAS RESPONSABLE POUR TOUS DOMMAGES INDIRECTS OU SECONDAIRES (Y COMPRIS, MAIS SANS LIMITATION, LA RESPONSABILITÉ AU TITRE DE LA PERTE DE BÉNÉFICES) RÉSULTANT DE LA VENTE OU DE L'EMPLOI DE CE PRODUIT. COMME CERTAINS ÉTATS AUX ÉTATS-UNIS ET CERTAINES PROVINCES AU CANADA NE PERMETTENT PAS L'EXCLUSION OU LA LIMITATION DE LA RESPONSABILITÉ POUR DOMMAGES INDIRECTS OU SECONDAIRES, LA LIMITATION CI-DESSUS NE S'APPLIQUE PEUT-ÊTRE PAS À VOUS.

CETTE GARANTIE LIMITÉE VOUS CONFÈRE DES GARANTIES JURIDIQUES PARTICULIÈRES, ET VOUS POUVEZ AUSSI AVOIR D'AUTRES DROITS, QUI VARIENT D'UN ÉTAT À L'AUTRE AUX ÉTATS-UNIS, D'UNE PROVINCE À L'AUTRE AU CANADA OU D'UN PAYS À L'AUTRE.

CETTE GARANTIE LIMITÉE NE S'APPLIQUE QU'aux produits vendus aux États-Unis d'Amérique, au Canada et à Porto Rico. Contactez votre distributeur ou importateur Bosch pour obtenir des informations sur la couverture de la garantie dans les autres pays.

Nomas generales de seguridad

Seguridad en el área de trabajo



Mantenga el área de trabajo limpia y bien iluminada.

Las áreas desordenadas u oscuras invitan a que se produzcan accidentes.

Seguridad personal

Manténgase alerta, fíjese en lo que está haciendo y use el sentido común cuando utilice una herramienta. No utilice una herramienta mientras esté cansado o bajo la influencia de drogas, alcohol o medicamentos. Un momento de descuido mientras se utiliza una herramienta puede causar lesiones personales graves o resultados de medición incorrectos.

Uso y cuidado

Use la herramienta correcta para la aplicación que vaya a realizar. La herramienta correcta de medición, detección y disposición hará el trabajo mejor y de manera más segura a la capacidad nominal para la que fue diseñada.

Cuando no esté utilizando la herramienta, almacénela fuera del alcance de los niños y no deje que las personas que no estén familiarizadas con ella o con estas instrucciones utilicen la herramienta. Las herramientas son peligrosas en las manos de los usuarios que no hayan recibido capacitación.

Mantenga las herramientas. Compruebe si hay piezas desalineadas o que se atoren, si hay piezas

rotas y si existe cualquier otra situación que pueda afectar al funcionamiento. Si la herramienta está daada, se debe reparar antes de utilizarla. Muchos accidentes son causados por herramientas de medición, detección y disposición mal mantenidas.

Utilice la herramienta, los accesorios, etc., de acuerdo con estas instrucciones y de la manera prevista para el tipo específico de herramienta, teniendo en cuenta las condiciones de trabajo y el trabajo que se vaya a realizar. El uso de la herramienta para realizar operaciones distintas a las previstas podría causar una situación peligrosa.

Servicio

Haga que su herramienta reciba servicio de ajustes y reparaciones por un técnico de reparaciones calificado, utilizando únicamente piezas de repuesto idénticas. Esto asegurará que se mantenga la seguridad y precisión de la herramienta.

Desarrolle un programa de mantenimiento periódico para su herramienta. Cuando limpie una herramienta, tenga cuidado de no desarmar ninguna parte de la herramienta, ya que los cables internos se pueden descolocar o pellizcar, o se pueden montar incorrectamente. Ciertos agentes de limpieza, tales como gasolina, tetracloruro de carbono, amoníaco, etc., pueden dañar las piezas de plástico.

GUARDE ESTAS INSTRUCCIONES.

Uso previsto

Esta herramienta esta diseñada para determinar rapidamente y revisar puntos de nivel para cualquier trabajo de construccion.

Preparación

Inserción y cambio de la pila

Se recomienda utilizar pilas alcalinas de manganeso en el aparato de medición.

Este manual incluye especificaciones para el autonivel GOL Series.



Verificar la calibración del instrumento. Antes del uso

inicial siga la prueba que se muestra en la sección “Línea de mira”.

Después de cualquier trabajo con cualquier instrumento, se aconseja comprobar siempre el trabajo. Colocar el instrumento en un lugar distinto, aproximadamente a 16 m del lugar inicial, y tomar otra vez algunas de las lecturas iniciales. Estas nuevas lecturas tienen que ser iguales a las primeras. Si no es así, puede intentar calibrar el instrumento según las indicaciones descritas en el capítulo “Línea de vista”, o ponerse en contacto con su proveedor o con un centro de Servicio Autorizado Bosch.

Características

La numeración de los componentes está referida a la imagen del aparato de medición en la página ilustrada.

- | | |
|---|---|
| <ul style="list-style-type: none"> 1 Base 2 Círculo horizontal 3 Referencia para la graduación horizontal 4 Bloqueo del compensador 5 Enfoque del objetivo | <ul style="list-style-type: none"> 6 Mira del objetivo ó punto de mira 7 Protector solar del ocular 8 Tornillos de movimiento horizontal 9 Tornillos de nivelación 10 Nivel esférico 11 Visor del nivel esférico 12 Protección del ocular 13 Enfoque del ocular |
|---|---|

Datos Técnicos

Nivel óptico automático	GOL 32	GOL 26	GOL 24
Número de artículo	0601068510	0601068010	0601068610
Aumentos	32X	26X	24X
Precisión	1.6 mm a 30 m (1/16 de pulgada a 100 pies)	1.6 mm a 30 m (1/16 de pulgada a 100 pies)	1.6 mm a 30 m (1/16 de pulgada a 100 pies)
Alcance	Hasta 120 m (400 pies)	Hasta 100 m (330 pies)	Hasta 91 m (330 pies)
Apertura efectiva	36 mm	36 mm	36 mm
Exactitud de estabilización	±0.3"	±0.8"	±0.8"
Telescopio			
Imagen	Directa	Directa	Directa
Longitud	210 mm (8.3 pulgadas)	210 mm (8.3 pulgadas)	210 mm (8.3 pulgadas)
Dist. de enfoque mín	1-ft (0.3 m)	1-ft (0.3 m)	1-ft (0.3 m)
Campo de visión	1°30'	1.5°	1.5°
Constante estadimétrica	100	100	100
Constante de adición	0	0	0
Nivelación automática			
Margen de compensación	±15'	±15'	±15'
Amortiguación magnética	Si	Si	Si
Sensibilidad nivel esférico	8 min / 2 mm	8 min / 2 mm	8 min / 2 mm
Graduación del círculo horizontal	cada 1° o 1 gon	cada 1° o 1 gon	cada 1° o 1 gon
Grado de protección	IP54	IP54	IP54
Peso sólo instrumento	1,7 kg (3.7 libras)	1,7 kg (3.7 libras)	1,7 kg (3.7 libras)
Rosca para trípode	5/8-11	5/8-11	5/8-11

Operación

Puesta en marcha

⚠ ADVERTENCIA Verificar la calibración del instrumento. Antes del uso inicial siga la prueba que se muestra en la sección “Línea de mira”.

Proteja el aparato de medida de la humedad y de la exposición directa al sol.

No exponga el aparato de medición ni a temperaturas extremas ni a cambios bruscos de temperatura. No lo deje, p.ej., en el coche durante un largo tiempo. Si el aparato de medición ha quedado sometido a un cambio fuerte de temperatura, antes de ponerlo en servicio, esperar primero a que se atempere. Las temperaturas extremas o los cambios bruscos de temperatura pueden afectar a la precisión del aparato de medición.

Evite las sacudidas o caídas fuertes del aparato de medida. En caso de que el aparato de medida haya quedado sometido a unas sollicitaciones fuertes exteriores, antes de continuar trabajando con él deberá realizarse una comprobación de la precisión (ver “Precisión de nivelación”).

Ajuste del instrumento y nivelación de la burbuja

1. Colocar el trípode sobre el punto de referencia en el suelo y bloquear las patas. Montar el nivel en el trípode y atornillarlo.
2. Bloquear las patas del trípode de forma que la cabeza del trípode está bien nivelada.

Centrar la burbuja utilizando los tornillos de nivelación como indicado en la Fig. 2.

- 2a - Utilizar los tornillos de ajuste A y B para centrar la burbuja esférica de la izquierda a la derecha.
- 2b - Utilizar el tornillo de ajuste C para mover la burbuja esférica hacia el centro.

⚠ ADVERTENCIA Use protección de los ojos. Si el nivel de burbuja de aire tiene fugas, absorba dichas fugas con el material absorbente adecuado y deséchelas de manera segura. El nivel de burbuja de aire contiene líquido inflamable que puede causar irritación de las vías respiratorias, los ojos y la piel.

Enfoque del anteojo

1. Apuntar el anteojo a una zona clara o sujetando un papel blanco enfrente del objetivo, y mover el ocular hasta que el retículo esté bien enfocado (Fig. 3).
2. Enfocar el telescopio localizando un objeto, por ej. una mira con la ayuda del punto de mira.
Mirando a través del ocular, utilizar el enfoque del objetivo para enfocar la mira. Centrar el hilo vertical dentro del objeto, utilizando uno de los tornillos de movimiento horizontal.

⚠ ADVERTENCIA No mire a través del sistema óptico directamente al sol. El resultado puede ser daños a la vista.

Lecturas de la mira

Medición de alturas

Tomar la lectura de la mira en el punto donde el hilo horizontal la atraviesa. Por ejemplo, en la Fig.4 (Fig. 4/a) la medición de la altura es 2.0 pies (1,195 m).

Medición de distancia

Tomar la lectura de la mira donde los hilos del retículo de cuña la atraviesan. Por ejemplo, en la Fig. 4 (Fig. 4/a) esas mediciones son 1.9 y 2.1 pies (1,352 m y 1,038 m). La constante estadimétrica es 1:100; por consiguiente la distancia entre la mira y el instrumento es $(2.1 - 1.9) \times 100 = 20$ pies - Fig. 4/a $(1,352 - 1,038) \times 100 = 31,41$ m.

Medición de ángulos

Como indicado en la Fig. 5 apuntar al objetivo “A” y girar el círculo horizontal hasta que la referencia se encuentre en el punto 0. Luego apuntar al objetivo “B”; la referencia del círculo horizontal indicará el ángulo que se ha creado entre A y B.

Calibración

⚠ ADVERTENCIA Verificar la calibración del instrumento. Antes del uso inicial siga la prueba que se muestra en la sección “Línea de mira”.

Bosch recomienda que su instrumento sea verificado o calibrado a intervalos regulares, así como después de un manejo exigente, un golpe al instrumento o una caída del mismo.

Bloqueo del compensador

Comprobar el correcto funcionamiento del compensador antes del trabajo o cada vez se tenga duda sobre su correcto funcionamiento. Presionar y soltar el bloqueo para mover el compensador. El compensador tiene que volver a la misma posición horizontal donde se encontraba antes de presionar el bloqueo.

Nivel esférico

Centrar la burbuja utilizando los tornillos de nivelación, luego girar el instrumento 200°. La burbuja tiene que estar todavía centrada (Fig. 6). En caso contrario, hay que calibrar el nivel esférico (Fig. 7).

Utilizar los tornillos de nivelación para llevar la burbuja a medio camino hacia el centro (Fig. 8). Utilizando la llave de ajuste que se encuentre en el maletín, girar los dos tornillos para centrar la burbuja (Fig. 9).

Repetir este procedimiento, hasta que la burbuja permanezca centrada, cuando se gire el instrumento 200°.

Línea de vista

La Línea de vista tiene que ser horizontal dentro de 3 mm para ser precisa.

Montar el nivel óptico en un trípode a medio camino entre dos miras puestas a una distancia de aprox. 30 – 50 m. Nivelar el instrumento. Apuntar las miras A y B; las lecturas de la altura son a1 y b1 (Fig. 10). H es igual a (a1-b1). Mover el instrumento hasta 2 m de distancia de la mira A y volver a nivelarlo. Apuntar de nuevo las miras A y B; esas lecturas serán a2 y b2 (Fig. 11).

Si $a1-b1 = a2-b2 = H$, la line-of-Sight está horizontal. En caso contrario ajustar el nivel como sigue.

Como el instrumento está a medio camino entre A y B, el error en la línea visual causa error de lectura a ambos lados. El error se cancela fuera, con el valor $a1-b1 = H$ es correcto. Por lo tanto $a2 - H = b3$, que es el valor de ajuste.

Para calibrar, desatornillar la protección del ocular. Girar el tornillo de ajuste con la llave (Fig. 12), hasta que el hilo horizontal da la lectura b3 sobre la mira B. Repetir este procedimiento hasta que $(a1-b1) - (a2-$

Mantenimiento y servicio

⚠ ADVERTENCIA Solamente guarde y transporte el aparato demedida en el estuche de protección adjunto.

Después del uso, limpiar el instrumento utilizando un paño suave y seco para eliminar la humedad. - No utilizar ni detergentes ni disolventes agresivos.

Guardar el nivel en su maletín cuando no vaya a usarlo, en un lugar sin polvo y sin humedad.

En el maletín hay también una bolsa de SILICA GEL; si el equipo deja de funcionar mucho tiempo, sáquelo del estuche y sustituya la bolsita de sílica.

Si a pesar de los esmerados procesos de fabricación y control, el aparato de medida llegase a averiarse, la reparación deberá encargarse a un taller de servicio autorizado para herramientas eléctricas Bosch.

Al realizar consultas o solicitar piezas de repuesto, es imprescindible indicar siempre el n° de artículo de 10 dígitos que figura en la placa de características del aparato de medida.

En caso de una reparación, envíe el aparato en el estuche de protección.

PROTECCIÓN AMBIENTAL

Recicle las materias primas y las baterías en lugar de desecharlas como desperdicios. La unidad, los accesorios, el empaquetamiento y las baterías usadas se deben separar para reciclarlos de manera respetuosa con el medio ambiente, de acuerdo con los reglamentos más recientes.



GARANTÍA LIMITADA PARA PRODUCTOS DE HERRAMIENTAS LÁSER Y DE MEDICIÓN BOSCH

Programa de garantía limitada

Robert Bosch Tool Corporation (el "Vendedor") garantiza, solamente al comprador original, que todas las herramientas láser y de medición Bosch estarán libres de defectos de material o de fabricación durante un período de un (1) año a partir de la fecha de compra. Bosch extenderá la cobertura de garantía a dos (2) años cuando usted registre su producto dentro del plazo de ocho (8) semanas a partir de la fecha de compra. La tarjeta de registro del producto debe ser completada y enviada por correo a Bosch (sellada por la oficina de correos dentro del plazo de ocho semanas después de la compra), o usted puede registrar su producto por Internet en www.boschtools.com/Service/ProductRegistration. Si decide no registrar su producto, al mismo se le aplicará una garantía limitada de un (1) año.

Reembolso de devolución del dinero o reemplazo durante 30 días:

Si no está completamente satisfecho con el rendimiento de sus herramientas láser y de medición, por cualquier motivo, puede devolver el producto a su distribuidor Bosch dentro del plazo de 30 días a partir de la fecha de compra para obtener un reembolso completo o un reemplazo. Para obtener este reembolso o reemplazo dentro del plazo de 30 días, su devolución debe estar acompañada por el recibo de compra original del producto tipo láser o instrumento óptico. Se permitirá un máximo de 2 devoluciones por cliente.

LA OBLIGACIÓN EXCLUSIVA DEL VENDEDOR Y EL RECURSO EXCLUSIVO QUE USTED TIENE bajo esta Garantía Limitada y, en hasta donde la ley lo permita, cualquier garantía o condición implícita por ley, consistirán en la reparación o el reemplazo de las piezas, sin cargo, que presenten defectos de material o de fabricación y que no hayan sido utilizadas incorrectamente, manejadas descuidadamente o reparadas incorrectamente por personas que no sean el Vendedor o un Centro de Servicio Autorizado. Para presentar un reclamo bajo esta Garantía Limitada, usted debe devolver la herramienta láser o de medición Bosch completa, con el transporte prepagado, a cualquier Centro de Servicio de Fábrica o Centro de Servicio Autorizado BOSCH. Sírvase incluir un comprobante de compra fechado con su herramienta. Para averiguar las ubicaciones de los centros de servicio cercanos, sírvase usar nuestro localizador de servicio por Internet o llamar al 1-877-267-2499.

ESTE PROGRAMA DE GARANTÍA NO SE APLICA A LOS TRÍPODES NI A LAS VARILLAS. Robert Bosch Tool Corporation (el "Vendedor") garantiza los trípodes y las varillas niveladoras durante un período de un (1) año a partir de la fecha de compra.

ESTA GARANTÍA LIMITADA NO SE APLICA A OTROS ARTÍCULOS ACCESORIOS NI ARTÍCULOS RELACIONADOS. ESTOS ARTÍCULOS RECIBEN UNA GARANTÍA LIMITADA DE 90 DÍAS.

Para presentar un reclamo bajo esta Garantía Limitada, usted debe devolver el producto completo, con el transporte prepagado. Para obtener detalles con el fin de presentar un reclamo bajo esta Garantía Limitada, sírvase visitar www.boschtools.com o llamar al 1-877-267-2499.

TODAS LAS GARANTÍAS IMPLÍCITAS ESTARÁN LIMITADAS EN DURACIÓN A UN A—O A PARTIR DE LA FECHA DE COMPRA. ALGUNOS ESTADOS DE LOS EE.UU. Y ALGUNAS PROVINCIAS CANADIENSES NO PERMITEN LIMITACIONES EN CUANTO A LA DURACIÓN DE UNA GARANTÍA IMPLÍCITA, POR LO QUE ES POSIBLE QUE LA LIMITACIÓN QUE ANTECEDE NO TENGA APLICACIÓN EN EL CASO DE USTED.

EL VENDEDOR NO SERÁ RESPONSABLE EN NINGÚN CASO POR DA—OS INCIDENTALES O EMERGENTES (INCLUYENDO PERO SIN ESTAR LIMITADOS A RESPONSABILIDAD POR PÉRDIDA DE UTILIDADES) QUE SURJAN DE LA VENTA DE ESTE PRODUCTO. ALGUNOS ESTADOS DE LOS EE.UU. Y ALGUNAS PROVINCIAS CANADIENSES NO PERMITEN LA EXCLUSIÓN NI LA LIMITACIÓN DE LOS DA—OS INCIDENTALES O EMERGENTES, POR LO QUE ES POSIBLE QUE LA LIMITACIÓN QUE ANTECEDE NO TENGA APLICACIÓN EN EL CASO DE USTED.

ESTA GARANTÍA LIMITADA LE CONFIERE A USTED DERECHOS LEGALES ESPECÍFICOS Y ES POSIBLE QUE USTED TENGA TAMBIÉN OTROS DERECHOS QUE VARÍAN DE UN ESTADO A OTRO EN LOS EE.UU. O DE UNA PROVINCIA A OTRA EN CANADÁ Y DE UN PAÍS A OTRO.

ESTA GARANTÍA LIMITADA SE APLICA SÓLO A LOS PRODUCTOS VENDIDOS EN LOS ESTADOS UNIDOS DE AMÉRICA, CANADÁ Y LA MANCOMUNIDAD DE PUERTO RICO. PARA OBTENER COBERTURA DE GARANTÍA EN OTROS PAÍSES, CONTACTE A SU DISTRIBUIDOR O IMPORTADOR BOSCH LOCAL.

© Robert Bosch Tool Corporation 1800 W. Central Road Mt. Prospect, IL 60056-2230
Exportado por: Robert Bosch Tool Corporation Mt. Prospect, IL 60056-2230, E.U.A.
Importado en México por: Robert Bosch, S.A. de C.V., Calle Robert Bosch No. 405, Zona Industrial,
Toluca, Edo. de México, C.P. 50070, Tel. (722) 2792300