

**IMPORTANT:**  
Read Before Using

**IMPORTANT :**  
Lire avant usage

**IMPORTANTE:**  
Leer antes de usar



**Operating/Safety Instructions**  
**Consignes de fonctionnement/sécurité**  
**Instrucciones de funcionamiento y seguridad**



**GSR18V-490**  
**GSB18V-490**



**BOSCH**

**Call Toll Free for  
Consumer Information  
& Service Locations**

**Pour obtenir des informations  
et les adresses de nos centres  
de service après-vente,  
appelez ce numéro gratuit**

**Llame gratis para  
obtener información  
para el consumidor y  
ubicaciones de servicio**

**1-877-BOSCH99 (1-877-267-2499) [www.boschtools.com](http://www.boschtools.com)**





**For English Version  
See page 2**

**Version française  
Voir page 18**

**Versión en español  
Ver la página 34**

## Safety Symbols

The definitions below describe the level of severity for each signal word. Please read the manual and pay attention to these symbols.

	This is the safety alert symbol. It is used to alert you to potential personal injury hazards. Obey all safety messages that follow this symbol to avoid possible injury or death.
	DANGER indicates a hazardous situation which, if not avoided, will result in death or serious injury.
	WARNING indicates a hazardous situation which, if not avoided, could result in death or serious injury.
	CAUTION indicates a hazardous situation which, if not avoided, could result in minor or moderate injury.

## General Power Tool Safety Warnings

**WARNING** Read all safety warnings, instructions, illustrations and specifications provided with this power tool. Failure to follow all instructions listed below may result in electric shock, fire and/or serious injury.

### SAVE ALL WARNINGS AND INSTRUCTIONS FOR FUTURE REFERENCE

The term “power tool” in the warnings refers to your mains-operated (corded) power tool or battery-operated (cordless) power tool.

#### ► Work area safety

**Keep work area clean and well lit.** Cluttered or dark areas invite accidents.

**Do not operate power tools in explosive atmospheres, such as in the presence of flammable liquids, gases or dust.** Power tools create sparks which may ignite the dust or fumes.

**Keep children and bystanders away while operating a power tool.** Distractions can cause you to lose control.

#### ► Electrical safety

**Power tool plugs must match the outlet. Never modify the plug in any way. Do not use any adapter plugs with earthed (grounded) power tools.** Unmodified plugs and matching outlets will reduce risk of electric shock.

**Avoid body contact with earthed or grounded surfaces, such as pipes, radiators, ranges and refrigerators.** There is an increased risk of electric shock if your body is earthed or grounded.

**Do not expose power tools to rain or wet conditions.** Water entering a power tool will increase the risk of electric shock.

**Do not abuse the cord. Never use the cord for carrying, pulling or unplugging the power tool. Keep cord away from heat, oil, sharp edges or moving parts.** Damaged or entangled cords increase the risk of electric shock.

**When operating a power tool outdoors, use an extension cord suitable for outdoor use.** Use of a cord suitable for outdoor use reduces the risk of electric shock.

**If operating a power tool in a damp location is unavoidable, use a Ground Fault Circuit Interrupter (GFCI) protected supply.** Use of an GFCI reduces the risk of electric shock.

#### ► Personal safety

**Stay alert, watch what you are doing and use common sense when operating a power tool. Do not use a power tool while you are tired or under the influence of drugs, alcohol or medication.** A moment of inattention while operating power tools may result in serious personal injury.

**Use personal protective equipment. Always wear eye protection.** Protective equipment such as dust mask, non-skid safety shoes, hard hat, or hearing protection used for appropriate conditions will reduce personal injuries.

**Prevent unintentional starting. Ensure the switch is in the off-position before connecting to power source and / or battery pack, picking up or carrying the tool.** Carrying power tools with your finger on the switch or energizing power tools that have the switch on invites accidents.

**Remove any adjusting key or wrench before turning the power tool on.** A wrench or a key left attached to a rotating part of the power tool may result in personal injury.

**Do not overreach. Keep proper footing and balance at all times.** This enables better control of the power tool in unexpected situations.

**Dress properly. Do not wear loose clothing or jewelry. Keep your hair, clothing and gloves away from moving parts.** Loose clothes, jewelry or long hair can be caught in moving parts.

**If devices are provided for the connection of dust extraction and collection facilities, ensure these are connected and properly used.** Use of dust collection can reduce dust-related hazards.

**Do not let familiarity gained from frequent use of tools allow you to become complacent and ignore tool safety principles.** A careless action can cause severe injury within a fraction of a second.

---

### ► Power tool use and care

---

**Do not force the power tool. Use the correct power tool for your application.** The correct power tool will do the job better and safer at the rate for which it was designed.

**Do not use the power tool if the switch does not turn it on and off.** Any power tool that cannot be controlled with the switch is dangerous and must be repaired.

**Disconnect the plug from the power source and/or remove the battery pack, if detachable, from the power tool before making any adjustments, changing accessories, or storing power tools.** Such preventive safety measures reduce the risk of starting the power tool accidentally.

**Store idle power tools out of the reach of children and do not allow persons unfamiliar with the power tool or these instructions to operate the power tool.** Power tools are dangerous in the hands of untrained users.

**Maintain power tools and accessories. Check for misalignment or binding of moving parts, breakage of parts and any other condition that may affect the power tool's operation. If damaged, have the power tool repaired before use.** Many accidents are caused by poorly maintained power tools.

**Keep cutting tools sharp and clean.** Properly maintained cutting tools with sharp cutting edges are less likely to bind and are easier to control.

**Use the power tool, accessories and tool bits etc. in accordance with these instructions, taking into account the working conditions and the work to be performed.** Use of the power tool for operations different from those intended could result in a hazardous situation.

**Keep handles and grasping surfaces dry, clean and free from oil and grease.** Slippery handles and grasping surfaces do not allow for safe handling and control of the tool in unexpected situations.

---

### ► Battery tool use and care

---

**Recharge only with the charger specified by the manufacturer.** A charger that is suitable for one type of battery pack may create a risk of fire when used with another battery pack.

**Use power tools only with specifically designated battery packs.** Use of any other battery packs may create a risk of injury and fire.

**When battery pack is not in use, keep it away from other metal objects like paper clips, coins, keys, nails, screws, or other small metal objects that can make a connection from one terminal to another.** Shorting the battery terminals together may cause burns or a fire.

**Under abusive conditions, liquid may be ejected from the battery; avoid contact. If contact accidentally occurs, flush with water. If liquid contacts eyes, additionally seek medical help.** Liquid ejected from the battery may cause irritation or burns.

**Do not use a battery pack or tool that is damaged or modified.** Damaged or modified batteries may exhibit unpredictable behaviour resulting in fire, explosion or risk of injury.

**Do not expose a battery pack or tool to fire or excessive temperature.** Exposure to fire or temperature above 265 °F may cause explosion.

**Follow all charging instructions and do not charge the battery pack or tool outside the temperature range specified in the instructions.** Charging improperly or at temperatures outside the specified range

may damage the battery and increase the risk of fire.

### ► Service

**Have your power tool serviced by a qualified repair person using only identical replacement parts.** This will ensure that the safety of the power tool is maintained.

**Never service damaged battery packs.** Service of battery packs should only be performed by the manufacturer or authorized service providers.

## Safety Rules for Cordless Hammer Drills

**Wear ear protectors when impact drilling.** Exposure to noise can cause hearing loss.

**Use auxiliary handle(s).** Loss of control can cause personal injury.

**Hold the power tool by insulated gripping surfaces, when performing an operation where the cutting accessory or fasteners may contact hidden wiring.** Cutting accessory or fasteners contacting a "live" wire may make exposed metal parts of the power tool "live" and could give the operator an electric shock.

**Use clamps or another practical way to secure and support the workpiece to a stable platform.** Holding the work by hand or against your body leaves it unstable and may lead to loss of control.

**Do not drill, fasten or break into existing walls or other blind areas where electrical wiring may exist.** If this situation is unavoidable, disconnect all fuses or circuit breakers feeding this worksite.

**Always wear safety goggles or eye protection when using this tool. Use a dust mask or respirator for applications which generate dust.**

**Use thick cushioned gloves and limit the exposure time by taking frequent rest periods.** Vibration caused by hammer-drill action may be harmful to your hands and arms.

**Secure the material being drilled. Never hold it in your hand or across legs.** Unstable support can cause the drill bit to bind causing loss of control and injury.

**Disconnect battery pack from tool before making any assembly, adjustments or changing accessories.** Such preventive safety measures reduce the risk of starting the tool accidentally.

**Position yourself to avoid being caught between the tool or side handle and walls or posts.** Should the bit become bound or jammed in the work, the reaction torque of the tool could crush your hand or leg.

**If the bit becomes bound in the workpiece, release the trigger immediately, reverse the direction of rotation and slowly squeeze the trigger to back out the bit.** Be ready for a strong reaction torque. The drill body will tend to twist in the opposite direction as the drill bit is rotating.

**Do not grasp the tool or place your hands too close to the spinning chuck or drill bit.** Your hand may be lacerated.

**When installing a drill bit, insert the shank of the bit well within the jaws of the chuck.** If the bit is not inserted deep enough, the grip of the jaws over the bit is reduced and the loss of control is increased.

**Do not use dull or damaged bits and accessories.** Dull or damaged bits have a greater tendency to bind in the workpiece.

**When removing the bit from the tool avoid contact with skin and use proper protective gloves when grasping the bit or accessory.** Accessories may be hot after prolonged use.

**Check to see that keys and adjusting wrenches are removed from the drill before switching the tool "ON".** Keys or wrenches can fly away at high velocity striking you or a bystander.

**Do not run the tool while carrying it at your side.** A spinning drill bit could become entangled with clothing and injury may result.

## ► Safety instructions when using long drill bits

**Never operate at higher speed than the maximum speed rating of the drill bit.** At higher speeds, the bit is likely to bend if allowed to rotate freely without contacting the workpiece, resulting in personal injury.

**Always start drilling at low speed and with the bit tip in contact with the workpiece.** At higher speeds, the bit is likely to bend if allowed to rotate freely without contacting the workpiece, resulting in personal injury.

**Apply pressure only in direct line with the bit and do not apply excessive pressure.** Bits can bend causing breakage or loss of control, resulting in personal injury.

## Additional Safety Warnings

GFCI and personal protection devices like electrician's rubber gloves and footwear will further enhance your personal safety.

**Do not use AC only rated tools with a DC power supply.** While the tool may appear to work, the electrical components of the AC rated tool are likely to fail and create a hazard to the operator.

**Develop a periodic maintenance schedule for your tool. When cleaning a tool be careful not to disassemble any portion of the tool since internal wires may be misplaced or pinched or safety guard return springs may be improperly mounted.** Certain cleaning agents such as gasoline, carbon tetrachloride, ammonia, etc. may damage plastic parts.

**Ensure the switch is in the off position before inserting battery pack.** Inserting the battery pack into power tools that have the switch on invites accidents.

**⚠ WARNING** Some dust created by power sanding, sawing, grinding, drilling, and other construction activities contains chemicals known to cause cancer, birth defects or other reproductive harm. Some examples of these chemicals are:

- Lead from lead-based paints,
- Crystalline silica from bricks and cement and other masonry products, and
- Arsenic and chromium from chemically-treated lumber.





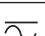


Your risk from these exposures varies, depending on how often you do this type of work. To reduce your exposure to these chemicals: work in a well ventilated area, and work with approved safety equipment, such as those dust masks that are specially designed to filter out microscopic particles.

### THINK SAFETY

SAFETY IS A COMBINATION OF OPERATOR COMMON SENSE AND ALERTNESS AT ALL TIMES WHEN POWER TOOLS ARE BEING USED.










## Symbols

**IMPORTANT:** Some of the following symbols may be used on your tool. Please study them and learn their meaning. Proper interpretation of these symbols will allow you to operate the tool better and safer.

Symbol	Designation/Explanation
V	Volts (voltage)
A	Amperes (current)
Hz	Hertz (frequency, cycles per second)
W	Watt (power)
kg	Kilograms (weight)
min	Minutes (time)
s	Seconds (time)
∅	Diameter (size of drill bits, grinding wheels, etc.)
$n_0$	No load speed (rotational speed at no load)
n	Rated speed (maximum attainable speed)
.../min	Revolutions or reciprocation per minute (revolutions, strokes, surface speed, orbits etc. per minute)
0	Off position (zero speed, zero torque...)
1, 2, 3, ... I, II, III,	Selector settings (speed, torque or position settings. Higher number means greater speed)
0 	Infinitely variable selector with off (speed is increasing from 0 setting)
	Arrow (action in the direction of arrow)
	Alternating current (type or a characteristic of current)
	Direct current (type or a characteristic of current)
	Alternating or direct current (type or a characteristic of current)
	Class II construction (designates double insulated construction tools)
	Earthing terminal (grounding terminal)

## Symbols (continued)

**IMPORTANT:** Some of the following symbols may be used on your tool. Please study them and learn their meaning. Proper interpretation of these symbols will allow you to operate the tool better and safer.

Symbol	Designation / Explanation
	Designates Li-ion battery recycling program
	Designates Ni-Cad battery recycling program
	Alerts user to read manual
	Alerts user to wear eye protection
	This symbol designates that this tool is listed by Underwriters Laboratories.
	This symbol designates that this component is recognized by Underwriters Laboratories.
	This symbol designates that this tool is listed by Underwriters Laboratories, to United States and Canadian Standards.
	This symbol designates that this tool is listed by the Canadian Standards Association.
	This symbol designates that this tool is listed by the Canadian Standards Association, to United States and Canadian Standards.
	This symbol designates that this tool is listed by the Intertek Testing Services, to United States and Canadian Standards.
	This symbol designates that this tool complies to NOM Mexican Standards.

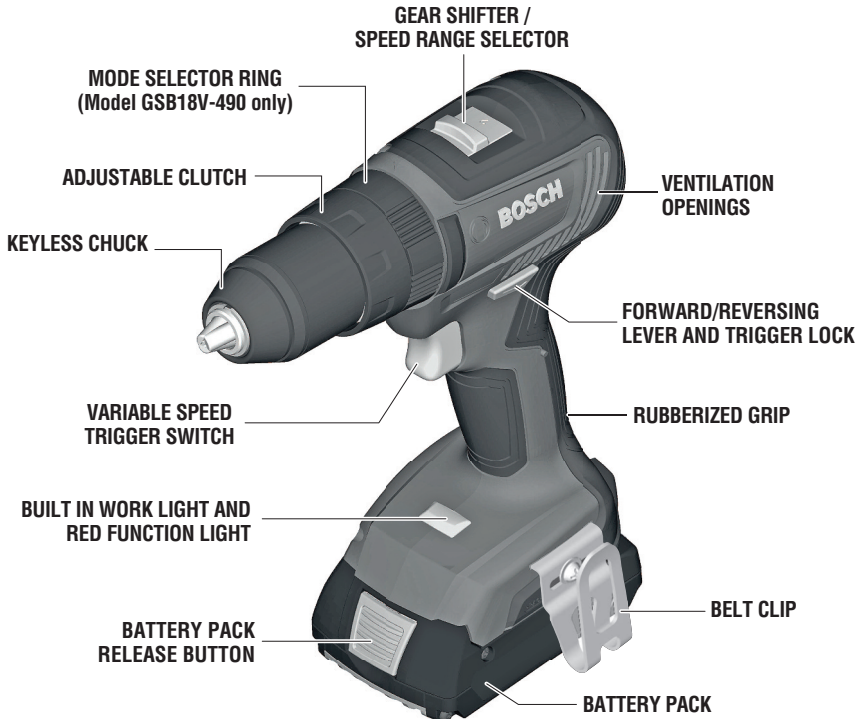
**SAVE THESE INSTRUCTIONS**

## Functional Description and Specifications

**⚠ WARNING** Disconnect battery pack from tool before making any assembly, adjustments or changing accessories. Such preventive safety measures reduce the risk of starting the tool accidentally.

### Cordless Drill Drivers and Cordless Hammer Drills

**FIG. 1**



MODEL NUMBER	GSR18V-490	GSB18V-490
Voltage rating	18 V $\text{---}$	18 V $\text{---}$
No load speed 1	$n_0$ 0-600/min	$n_0$ 0-600/min
No load speed 2	$n_0$ 0-1900/min	$n_0$ 0-1900/min
Impact rate	NA	0-22000 BPM
<b>Maximum Capacities</b>		
Chuck size	1/2"	1/2"
Driving screw sizes	#16 x 3"	#16 x 3"
<b>Maximum Drilling Depth</b>		
Drilling mild metal	1/2"	1/2"
Drilling hard wood	1-1/2"	1-1/2"
Drilling soft wood	2"	2"
Drilling Masonry	NA	1/2"

**NOTE:** For tool specifications refer to the nameplate on your tool.

#### Battery Packs/Chargers

Please refer to the Charger Manual included with your tool.



## Assembly

**⚠ WARNING** Disconnect battery pack from tool before making any assembly, adjustments or changing accessories. Such preventive safety measures reduce the risk of starting the tool accidentally.

### ▶ Inserting and Releasing Battery Pack

Set Forward/Reversing lever to the center (off position). Slide charged battery pack into the housing until the battery pack locks into position (Fig. 2).

Your tool is equipped with a secondary locking latch to prevent the battery pack from

completely falling out of the handle, should it become loose due to vibration.

To remove the battery pack, press the battery pack release button and slide the battery pack forward (Fig. 3).

Press the battery pack release button again and slide the battery pack completely out of tool housing (Fig. 3).

FIG. 2

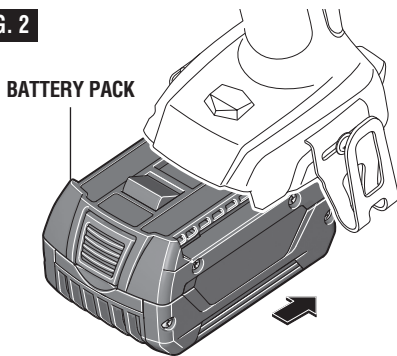
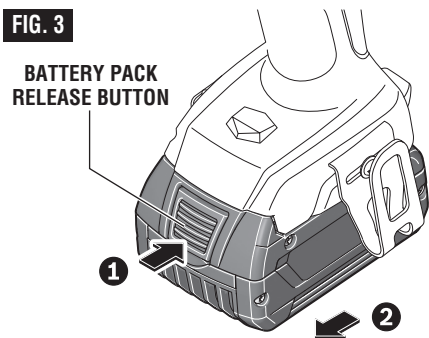


FIG. 3

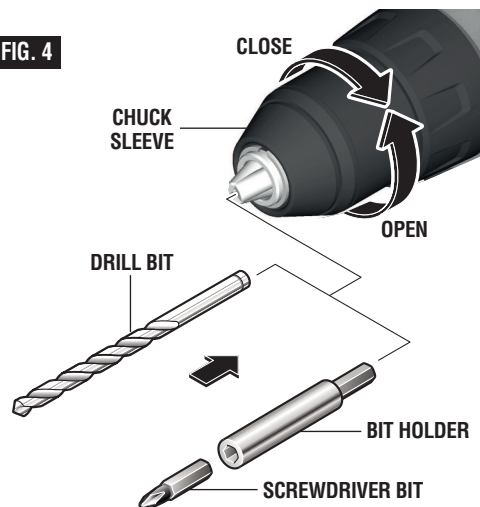


### ▶ Inserting Bits

**⚠ WARNING** Do not use the power of the drill while grasping chuck to loosen or tighten bit. Friction burn or hand injury is possible if attempting to grasp the spinning chuck.

Move reverse switch lever to the center "OFF" position. Remove battery pack and rotate the clutch ring (Model GSR18V-490) or mode selector ring (Model GSB18V-490) to the drill bit symbol "▬ ▬ ▬". To open rotate the chuck sleeve counter-clockwise viewing from chuck end, and open chuck to approximate drill bit diameter. Insert a clean bit up to the drill bit flutes for small bits, or as far as it will go for large bits. Close chuck by rotating the chuck sleeve clockwise and securely tighten by hand (Fig. 4). Return the clutch ring or mode selector ring to desired position.

FIG. 4



SAVE THESE INSTRUCTIONS

## ► Belt Clip

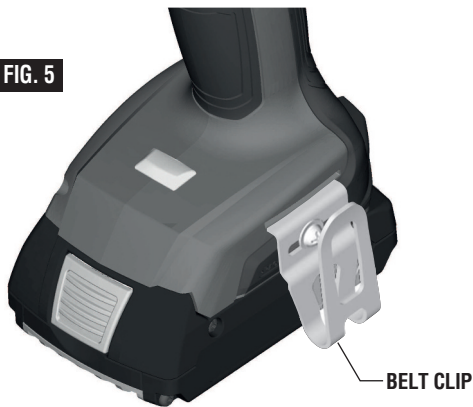
**⚠ WARNING** When the tool is attached to the belt, position yourself to avoid entanglement with surrounding objects. Unexpected entanglement could cause the tool to fall resulting in injury to the operator or bystanders.

The belt clip accessory will allow you to conveniently attach your tool to your belt. This feature will allow you to have both hands free when climbing a ladder or moving to another work area.

The belt clip can be attached to either side of the tool by securing it with a mounting screw. Always make sure you securely tighten the mounting screw before use (Fig. 5).

To use clip, turn tool upside down and attach to your belt.

FIG. 5



## ► 4X Bit Tip Holder

**⚠ WARNING** Store only bit tips in the on-tool bit holder. Longer bits could interfere with proper tool operation and result in user injury.

The four piece bit tip holder can be used for convenient on tool storage of your most commonly used bits.

When mounting bit holder accessory, mount on the side of the drill opposite the belt clip.

Always make sure you securely tighten the mounting screw before use. (Fig. 6).

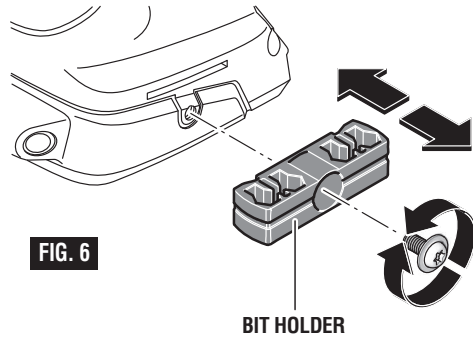


FIG. 6

## Operating Instructions

### ▶ Variable Speed Controlled Trigger Switch

Your tool is equipped with a variable speed trigger switch. The tool can be turned "ON" or "OFF" by squeezing or releasing the trigger. The speed can be adjusted from the minimum to maximum nameplate RPM by the pressure you apply to the trigger. Apply more pressure to increase the speed and release pressure to decrease speed (Fig. 1).

### ▶ Forward/Reversing Lever & Trigger Lock

**⚠ WARNING** To reduce the risk of accidentally turning the tool "ON" when it is not being used, place the reversing lever in the center trigger lock "OFF" position. Unintended tool start, may cause injury or property and tool damage.

**⚠ CAUTION** Do not change direction of rotation until the tool comes to a complete stop. Shifting during rotation of the chuck can cause damage to the tool.

Your tool is equipped with a forward/reversing lever and trigger lock located above the trigger (Fig. 8). This lever was designed for changing rotation of the bit, and for locking the trigger in an "OFF" position.

For forward rotation, (with chuck pointed away from you) move the lever to the far left (Fig. 8).

FIG. 8

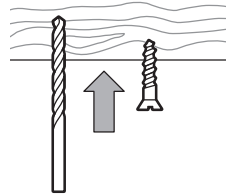
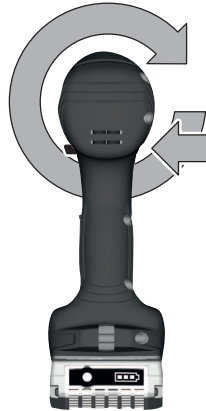
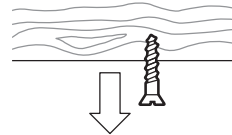
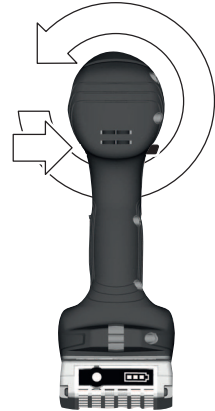


FIG. 9



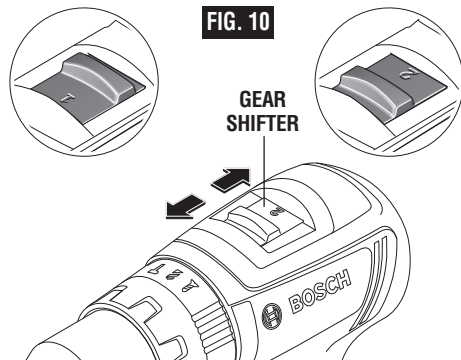
For reverse rotation move the lever to the far right (Fig. 9). To activate trigger lock move lever to the center off position.

### ▶ Gear Shifting


Your tool is equipped with two separate gear ranges, low gear and high gear. Low gear provides high-torque and slower drilling speeds for heavy duty work or for driving screws. High gear provides faster speeds for drilling lighter work. To change speeds slide switch, to the high or low position (Fig. 10).

**ATTENTION:** If your tool appears to be running, but the chuck will not turn, check to make sure the gear shifting switch is pushed fully into desired setting.

FIG. 10



### ► Adjustable Clutch

Your tool features 20 clutch settings. Output torque will increase as the clutch ring, is rotated from 1 to 20. The drill “” position will lock up the clutch to permit drilling and driving heavy duty work, and also enables bits to be changed quickly and easily in the keyless chuck (Fig. 11).

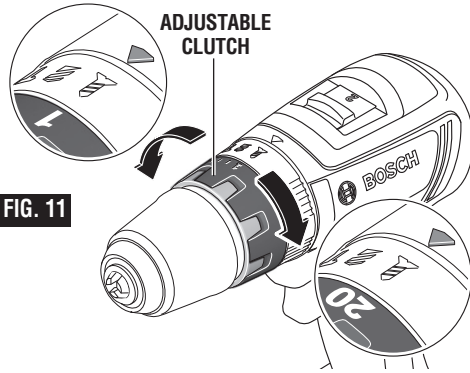


FIG. 11

### ► Brake

When the trigger switch is released it activates the brake to stop the chuck quickly. This is especially useful in the repetitive driving and removal of screws.

### ► Built-In LED Work Light

Your tool is also equipped with an LED light that turns on automatically when the switch is activated, for better visibility when drilling/driving (Fig. 1). The light turns off automatically a short time after the trigger is released. You can adjust this time frame using Bosch Tool Box app. See “Connectivity” section.

### ► Drill/Hammer Drill Selector Ring (Model GSB18V-490 only)

The selector ring allows the tool to be set for various drilling/hammer drilling applications. Rotate the selector dial right or left depending on the below applications (Fig. 12).

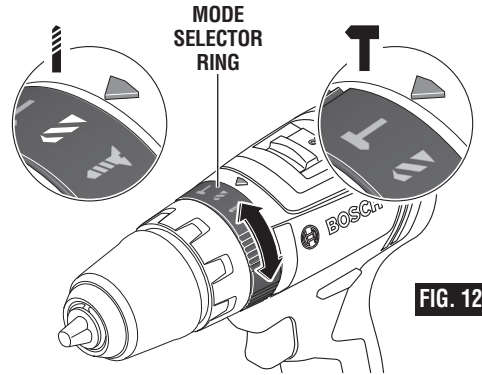


FIG. 12

**Drill only action:** For drilling in woods, metals, plastics or other non concrete materials.

**Drill with hammer action:** For drilling in concrete, asphalt, tile or other similar hard materials. The hammer drill position overrides the clutch for drilling.

### ► Temperature Overload Protection

Avoid using battery operated tools continuously, for long periods of time, while subjecting the tool to overload conditions, such as drilling with large diameter accessories into hard materials. Using battery powered tools at extreme loads, may cause the battery to exceed its allowable operating temperature range. When the battery exceeds normal operating temperature caused by overload, the speed of the tool may be reduced and the tool may appear to lose power. To regain the tool's full performance, the battery must be allowed to cool, until the operating temperature returns to normal.

## Operating Tips

### ▶ Driving Nuts and Bolts

Variable speed control must be used with caution for driving nuts and bolts with socket set attachments. The technique is to start slowly, increasing speed as the nut or bolt runs down. Set the nut or bolt snugly by slowing the drill to a stop. If this procedure is not followed, the tool will have a tendency to torque or twist in your hands when the nut or bolt seats.

### ▶ Drilling

You will extend the life of your bits and do neater work if you always put the bit in contact with the work before pulling the trigger. During the operation, hold the tool firmly and exert light, steady pressure. Too much pressure at low speed will stall the tool. Too little pressure will keep the bit from cutting and cause excess friction by sliding over the surface. This can be damaging to both tool and bit.

### ▶ Drilling with Variable Speed

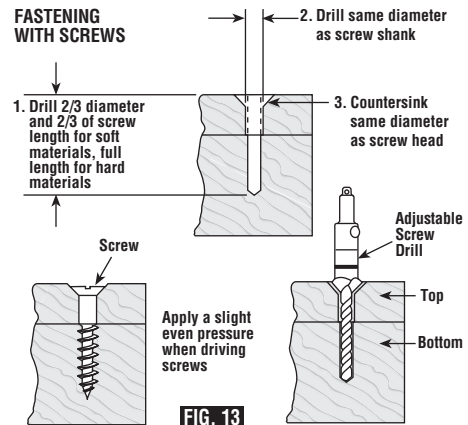
The variable speed trigger allows you to slowly increase RPM. By using a slow starting speed, you are able to keep the bit from “wandering”. You can increase the speed as the bit “bites” into the work by squeezing the trigger.

### ▶ Driving with Variable Speed

Variable speed drills will double as a power screwdriver by using a screwdriver bit. Prior to driving screws, pilot and clearance holes should be drilled. Place the threaded end of the screw in the pilot or clearance hole and start driving the screw slowly, increasing the speed as the screw runs down. Set the screw snugly by slowing to a stop.

### ▶ Fastening with Screws

The procedure shown in Fig. 13 will enable you to fasten materials together using your drill without stripping, splitting or separating the material.



First, clamp the pieces together and drill the hole 2/3 the diameter of the screw. If the material is soft, drill only 2/3 the proper length. If it is hard, drill the entire length.

Second, unclamp the pieces and drill the hole in the top piece of wood again to the same diameter as the shank of the screw.

Third, if flat head screw is used, countersink the hole to make the screw flush with the surface. Realign the holes on the two pieces and apply even pressure when driving the screw. The screw shank clearance hole in the first piece allows the screw head to pull the pieces tightly together.

The adjustable screw drill accessory will do all of these operations quickly and easily. Screw drills are available for screw sizes No. 6, 8, 10 and 12.

### ▶ Drill Bits

Always inspect drill bits for excessive wear. Use only bits that are sharp and in good condition.

**TWIST BITS:** Available with straight and reduced shanks for wood and light duty metal drilling. High speed bits cut faster and last longer on hard materials.

**CARBIDE TIPPED BITS:** Used for drilling stone, concrete, plaster, cement and other unusually hard nonmetals. Use continuous heavy feed pressure when employing carbide tip bits.

## ► Drilling Wood

Be certain workpiece is clamped or anchored firmly. Always apply pressure in a straight line with the drill bit. Maintain enough pressure to keep the drill “biting”.

When drilling holes in wood, twist bits can be used. Twist bits may overheat unless pulled out frequently to clear chips from flutes.

Use a “back-up” block of wood for work that is likely to splinter, such as thin materials.

You will drill a cleaner hole if you ease up on the pressure just before the bit breaks through the wood. Then complete the hole from the back side.

## ► Drilling Metal

There are two rules for drilling hard materials. First, the harder the material, the greater the pressure you need to apply to the tool.

Second, the harder the material, the slower the speed. Here are a couple of tips for drilling in metal. Lubricate the tip of the bit occasionally with cutting oil except when drilling soft metals such as aluminum, copper or cast iron. If the hole to be drilled is fairly large, drill a smaller hole first, then enlarge to the required size, it’s often faster in the long run. Maintain enough pressure to assure that the bit does not just spin in the hole. This will dull the bit and greatly shorten its life.

## ► Drilling Masonry

Soft materials such as brick are relatively easy to drill. Concrete however, will require much more pressure to keep the bit from spinning. Be sure to use carbide tip bits for all masonry work.

**⚠ WARNING** Before using an accessory, be certain that its maximum safe operating speed is not exceeded by the nameplate speed of the tool. Do not exceed the recommended wheel diameter.

## ► Sanding and Polishing

Fine sanding and polishing require “touch”. Select the most efficient speed.

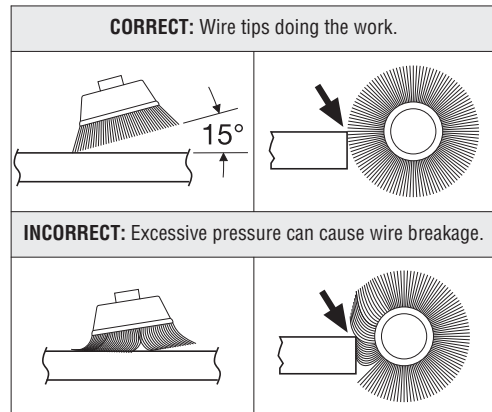
When using polishing bonnets, always be sure the excess string that secures the bonnet is tucked well within the bonnet during operation.

## ► Wire Brushes

Work with brushes requires high speeds.

## ► Brushing Pressure

1. Let the tips of a wire brush do the work. Operate the brush with the lightest pressure so only the tips of the wire come in contact with the work.



2. If heavier pressures are used, the wires will be overstressed, resulting in a wiring action; and if this is continued, the life of the brush will be shortened due to wire fatigue.

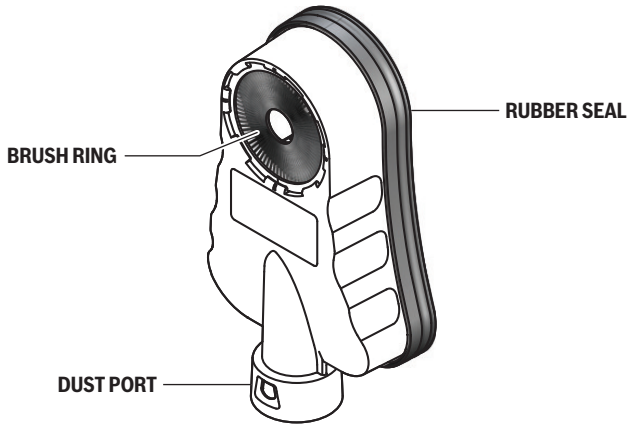
3. Apply the brush to the work in such a way that as much of the brush face as possible is in full contact with the work. Applying the side or edge of the brush to the work will result in wire breakage and shortened brush life.

## Dust Extraction

### HDC200 Functional Description and Specifications (Optional Accessory)

**WARNING** To reduce the risk of injury user must read instruction manual for the use of the tool with this attachment.

**FIG. 14**



Drilling Capacity	
HDC 200	
Optimized	1/4" – 1-3/8"
Maximum	2-5/8" *
	* brush ring must be removed for diameters larger than 1-3/8"

## Dust Extraction

### HDC200 Operating instructions

**⚠ WARNING** Disconnect the plug from the power source before making any assembly, adjustments or changing accessories. Such preventive safety measures reduce the risk of starting the tool accidentally.

The HDC200 Bosch dust extraction attachment is designed to be used in drilling applications in concrete and masonry type materials.

The HDC200 is optimized for use with drill bit diameters from 1/4" to 1-3/8". The maximum bit diameter is 2-5/8" (brush ring must be removed for diameters larger than 1-3/8").

Insert the dust extractor hose from the dust port of the dust extraction unit (Fig. 15).

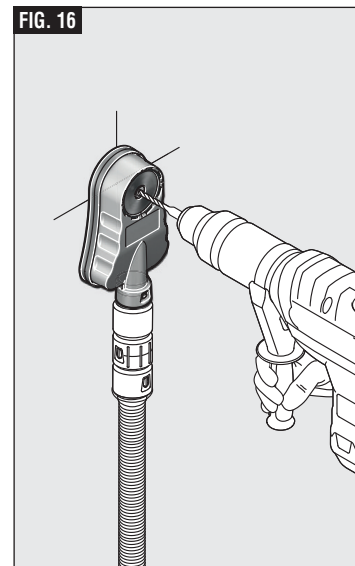
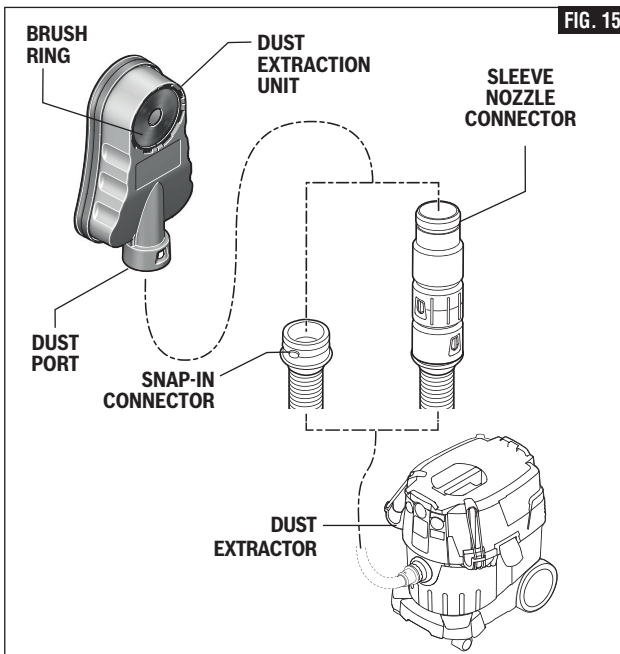
The Bosch dust extractor hose comes with a sleeve nozzle attached to a snap-in connector. The sleeve nozzle provides the quickest and easiest connection of the nozzle to the attachment. The snap-in connector provides a more secured connection. To use the snap-in connector, remove the rubber nozzle from the

dust extractor hose. Press the snap-in connector into the dust port until you hear the click.

Dust port adaptors are also available to connect the Bosch dust extraction attachment to any common size dust extractor hose. See [Boschtools.com](http://Boschtools.com) for details.

Turn the dust extractor on and place the attachment on the wall (or the floor), over the desired drilling location so that the center of the hole lines up with the center of the opening of the brush ring. Note: the suction from the dust extractor will hold the attachment in place on the work surface. Place the drill bit through the opening in the brush ring in the desired drilling location and drill the desired hole (Fig. 16). Follow all tool safety and operating instructions.

**Note:** for best results, continue running the tool even when removing the bit from the hole. The combination of the vacuum with the spinning motion of the bit helps remove a majority of the dust from the hole.





## Maintenance

**⚠ WARNING** To avoid accidents, always disconnect the tool and/or charger from the power supply before cleaning.

### ► Service

**⚠ WARNING** **NO USER SERVICEABLE PARTS INSIDE. Preventive maintenance performed by unauthorized personnel may result in misplacing of internal wires and components which could cause serious hazard.** It is recommended that all tool service be performed by a Bosch Factory Service Center or Authorized Bosch Service Station.

### ► Batteries

**Be alert for battery packs that are nearing their end of life.** If you notice decreased tool performance or significantly shorter running time between charges then it is time to replace the battery pack. Failure to do so can cause the tool to operate improperly or damage the charger.

### ► Tool Lubrication

Your Bosch tool has been properly lubricated and is ready for use.

### ► D.C. Motors

The motor in your tool has been engineered for many hours of dependable service. To maintain peak efficiency of the motor, we recommend it be examined every six months. Only a genuine Bosch replacement motor specially designed for your tool should be used.

### ► Cleaning

**⚠ CAUTION** **Certain cleaning agents and solvents damage plastic parts.** Some of these are: gasoline, carbon tetrachloride, chlorinated cleaning solvents, ammonia and household detergents that contain ammonia.


Ventilation openings and switch levers must be kept clean and free of foreign matter. Do not attempt to clean by inserting pointed objects through opening.

## Accessories

**⚠ WARNING** **Do not use attachments/accessories other than those specified by Bosch.** Use of attachments/accessories not specified for use with the tool described in this manual may result in damage to tool, property damage, and or personal injury.

## Symboles relatifs à la sécurité

Les définitions ci-dessous décrivent le niveau de gravité pour chaque terme signalant un danger. Veuillez lire le mode d'emploi et lire la signification de ces symboles.

	C'est le symbole d'alerte relatif à la sécurité. Il est utilisé pour vous avertir de l'existence possible d'un danger de lésion corporelle. Obéissez à tous les messages relatifs à la sécurité qui suivent ce symbole pour éviter tout risque de blessure ou même de mort.
	DANGER indique une situation dangereuse qui, si elle n'est pas évitée, causera la mort d'une personne ou une blessure grave.
	AVERTISSEMENT indique une situation dangereuse qui, si elle n'est pas évitée, pourrait causer la mort d'une personne ou une blessure grave.
	MISE EN GARDE indique une situation dangereuse qui, si elle n'est pas évitée, pourrait causer une blessure légère ou modérée.

## Avertissements généraux concernant la sécurité des outils électroportatifs

**AVERTISSEMENT** Lisez toutes les consignes de sécurité, instructions, illustrations et spécifications fournies avec cet outil électrique. Le non-respect de toutes les instructions figurant ci-après pourrait causer un choc électrique, un incendie et/ou des blessures graves.

### CONSERVEZ TOUS LES AVERTISSEMENTS ET TOUTES LES CONSIGNES DE SÉCURITÉ POUR RÉFÉRENCE FUTURE.

Dans les avertissements, le terme « outil électroportatif » se rapporte à votre outil branché sur le secteur (avec fil) ou à votre outil alimenté par piles (sans fil).

#### ► Sécurité du lieu de travail

**Maintenez le lieu de travail propre et bien éclairé.** Les risques d'accident sont plus élevés quand on travaille dans un endroit encombré ou sombre.

**N'utilisez pas d'outils électroportatifs dans des atmosphères explosives, comme par exemple en présence de gaz, de poussières ou de liquides inflammables.** Les outils électroportatifs produisent des étincelles qui risquent d'enflammer les poussières ou les vapeurs.

**Éloignez les enfants et les visiteurs quand vous vous servez d'un outil électroportatif.** Vous risquez une perte de contrôle si on vous distrait.

#### ► Sécurité électrique

**Les fiches des outils électroportatifs doivent correspondre à la prise. Il ne faut absolument jamais modifier la fiche. N'utilisez pas d'adaptateur de prise avec des outils électroportatifs munis d'une fiche de terre.** Le risque de choc électrique est moindre si on utilise une fiche non modifiée sur une prise qui lui correspond.

**Évitez tout contact du corps avec des surfaces reliées à la terre tels que tuyaux, radiateurs, gazinières ou**

**réfrigérateurs.** Le risque de choc électrique augmente si votre corps est relié à la terre.

**N'exposez pas les outils électroportatifs à la pluie ou à l'humidité.** Si de l'eau pénètre dans un outil électroportatif, le risque de choc électrique augmente.

**Ne maltraitez pas le cordon. Ne vous en servez jamais pour transporter l'outil électroportatif, pour le tirer ou pour le débrancher. Éloignez le cordon de la chaleur, des huiles, des arêtes coupantes ou des pièces mobiles.** Les cordons abîmés ou emmêlés augmentent les risques de choc électrique.

**Si vous utilisez un outil électroportatif à l'extérieur, employez une rallonge conçue pour l'extérieur.** Ces rallonges sont faites pour l'extérieur et réduisent le risque de choc électrique.

**S'il est absolument nécessaire d'utiliser l'outil électroportatif dans un endroit humide, utilisez une alimentation protégée par un disjoncteur de fuite de terre (GFCI).** L'utilisation d'un disjoncteur GFCI réduit les risques de choc électrique.

#### ► Sécurité personnelle

**Restez concentré, faites attention à ce que vous faites, et servez-vous de votre bon sens lorsque vous utilisez un outil électroportatif. N'employez pas d'outils électroportatifs**

**quand vous êtes fatigué ou sous l'emprise de drogues, d'alcool ou de médicaments.** Quand on utilise des outils électroportatifs, il suffit d'un moment d'inattention pour causer des blessures corporelles graves.

**Utilisez des équipements de sécurité personnelle. Portez toujours une protection oculaire.** Le port d'équipements de sécurité tels que des masques antipoussières, des chaussures de sécurité antidérapantes, des casques de chantier et des protecteurs d'oreilles dans des conditions appropriées réduira le risque de blessure corporelle.

**Évitez les démarrages intempestifs. Assurez-vous que l'interrupteur est dans la position arrêt (Off) avant de brancher l'outil dans une prise de courant et/ou un bloc-piles, de le ramasser ou de le transporter.** Le transport d'un outil électroportatif avec le doigt sur la gâchette ou le branchement de cet outil quand l'interrupteur est en position de marche (ON) est une invite aux accidents.

**Enlevez toutes les clés de réglage avant de mettre l'outil électroportatif en marche.** Si on laisse une clé sur une pièce tournante de l'outil électroportatif, il y a un risque de blessure corporelle.

**Ne vous penchez pas. Conservez toujours une bonne assise et un bon équilibre.** Ceci vous permettra de mieux maîtriser l'outil électroportatif dans des situations inattendues.

**Habilitez-vous de manière appropriée. Ne portez pas de vêtements amples ou de bijoux.** Attachez les cheveux longs. **N'approchez pas les cheveux, les vêtements ou les gants des pièces en mouvement.** Les vêtements amples, les bijoux ou les cheveux longs risquent d'être happés par les pièces en mouvement.

**Si l'outil est muni de dispositifs permettant le raccordement d'un système d'aspiration et de collecte des poussières, assurez-vous que ces dispositifs sont raccordés et utilisés correctement.** L'utilisation d'un dépoussiéreur peut réduire les dangers associés à l'accumulation de poussière.

**Ne laissez pas la familiarité résultant de l'utilisation fréquente des outils vous inciter à devenir complaisant(e) et à ignorer les principes de sécurité des outils.** Une action négligente pourrait causer des blessures graves en une fraction de seconde.

### ► Utilisation et entretien des outils électroportatifs

**Ne forcez pas sur l'outil électroportatif. Utilisez l'outil électroportatif qui convient à la tâche à effectuer.** L'outil qui convient à la tâche fait un meilleur travail et est plus sûr à la vitesse pour lequel il a été conçu.

**Ne vous servez pas de l'outil électroportatif si son interrupteur ne parvient pas à le mettre en marche ou à l'arrêter.** Tout outil électroportatif qui ne peut pas être commandé par son interrupteur est dangereux et doit être réparé.

**Débranchez la fiche de la prise secteur et/ou retirez le bloc-piles de l'outil électrique (s'il est amovible) avant d'y apporter de quelconques modifications, de changer d'accessoire ou de ranger l'outil électrique.** De telles mesures de sécurité préventive réduisent le risque de

démarrage intempestif de l'outil électroportatif.

**Rangez les outils électroportatifs dont vous ne vous servez pas hors de portée des enfants et ne permettez pas à des personnes qui ne connaissent pas l'outil électroportatif ou qui ignorent ces consignes de s'en servir.** Les outils électroportatifs sont dangereux dans les mains d'utilisateurs inexpérimentés.

**Entretenez de façon appropriée les outils électriques et les accessoires. Assurez-vous que les pièces en mouvement sont bien alignées et qu'elles ne se coincent pas, qu'il n'y a pas de pièces cassées ou qu'il n'existe aucune situation pouvant affecter le fonctionnement de l'outil électrique. Si l'outil électrique est endommagé, faites-le réparer avant de vous en servir à nouveau.** Les outils coupants entretenus correctement et dotés de bords tranchants affûtés sont moins susceptibles de coincer et sont plus faciles à maîtriser.

**Utilisez l'outil électroportatif, les accessoires et les embouts d'outil, etc. conformément à ces instructions, en tenant compte des conditions de travail et des travaux à réaliser.** L'emploi d'outils électroportatifs pour des tâches différentes de celles pour lesquelles ils ont été prévus peut résulter en une situation dangereuse.

**Gardez les poignées et les surfaces de préhension propres, sèches et exemptes de toute trace d'huile ou de graisse.** Les poignées et les surfaces de préhension glissantes ne permettent pas une manipulation et un contrôle sûrs de l'outil dans des situations inattendues.

### ► Utilisation et entretien des outils à piles

**Rechargez les piles uniquement avec le chargeur spécifié par le fabricant.** Un chargeur qui convient à un type de bloc-piles peut entraîner un risque d'incendie quand il est utilisé avec un autre bloc-piles.

**Utilisez des outils électroportatifs uniquement avec les bloc-piles spécifiquement désignés pour eux.** L'utilisation de tout autre bloc-piles peut créer un risque de blessures et d'incendie.

**Lorsque le bloc-piles n'est pas utilisé, gardez-le à distances d'autres objets métalliques tels que des trombones, des pièces de monnaie, des clés, des clous, des vis ou de tout autre objet métallique pouvant faire une connexion entre une borne et une autre.** Court-circuiter les bornes des piles peut causer des brûlures ou un incendie.

**Dans des conditions abusives, du liquide peut être éjecté de la pile ; dans un tel cas, évitez tout contact avec ce liquide. Si un contact se produit accidentellement, rincez avec de l'eau. Si le liquide entre en contact avec les yeux, consultez un médecin.** Du liquide éjecté de la pile peut causer des irritations ou des brûlures.

**N'utilisez pas un bloc-piles ou un outil qui est endommagé ou a été modifié.** Des piles endommagées ou modifiées peuvent se comporter de façon imprévisible et causer un incendie ou une explosion, ou entraîner des blessures.

**N'exposez pas un bloc-piles ou un outil à un incendie ou à une température excessive.** L'exposition à un incendie ou à une température supérieure à 265° F (130° C) pourrait causer une explosion.

**Suivez toutes les instructions relatives à la charge et ne chargez pas le bloc-piles ou l'outil en dehors de la plage de température indiquée dans les instructions.** Une charge dans des conditions appropriées ou à des températures en dehors de la plage spécifiée pourrait endommager les piles et augmenter le risque d'incendie.

## ► Entretien

**Faites réparer votre outil électroportatif par un agent de service qualifié n'utilisant que des pièces de rechange identiques.** Ceci assure que la sécurité de l'outil électroportatif est préservée.

**Ne tentez jamais de réparer des blocs-piles endommagés.** La réparation de blocs-piles ne doit être effectuée que par le fabricant ou un prestataire de services agréé.

## Consignes de sécurité pour perceuses à percussion sans cordon

**Portez des protecteurs d'oreilles quand vous utilisez des perceuses à percussion.** L'exposition au bruit peut causer une perte d'acuité auditive.

**Utilisez la ou les poignée(s) auxiliaire(s) si elle est/elles sont fournie(s) avec l'outil.** Une perte de contrôle pourrait causer des blessures physiques.

**Tenez l'outil électroportatif par ses surfaces de préhension isolées lorsque vous effectuez une opération à l'occasion de laquelle l'accessoire de coupe risque d'entrer en contact avec un fil caché.** Tout contact de l'accessoire de coupe avec un fil sous tension risque de mettre aussi sous tension les parties métalliques exposées de l'outil électroportatif, ce qui pourrait causer un choc électrique pour l'opérateur.

**Utilisez des brides ou d'autres moyens pratiques de brider ou de supporter la pièce sur une plate-forme stable.** Tenir la pièce à la main ou contre le corps est instable et risque de résulter en une perte de contrôle.

**Ne percez, fixez et ne rentrez pas dans des murs existants ou autres endroits aveugles pouvant abriter des fils électriques.** Si cette situation est inévitable, débranchez tous les fusibles ou les disjoncteurs alimentant ce site.

**Portez toujours des lunettes à coques latérales ou des lunettes de protection en utilisant cet outil.** Utilisez un respirateur ou un masque anti-poussières pour les applications produisant de la poussière.

**Utilisez des gants rembourrés épais et limitez le temps d'exposition en prenant des pauses fréquentes.** Les vibrations causées par l'action du marteau-perceuse peuvent être nocives pour vos mains et vos bras.

**Assujettissez l'ouvrage à percer. Ne le tenez jamais dans votre main ou par-dessus vos jambes.** Un support instable peut faire gripper le foret, provoquant ainsi une perte de contrôle et des blessures.

**Débranchez le bloc-piles de l'outil avant d'effectuer tout assemblage ou réglage, ou de changer des accessoires.** Ces mesures de sécurité préventives réduisent le risque d'une mise en marche accidentelle de l'outil.

**Placez-vous de manière à éviter d'être pris entre l'outil ou la poignée latérale et les murs ou les montants.** Si le foret se coince ou grippe dans l'ouvrage, le couple de réaction de l'outil pourrait écraser votre main ou votre pied.

**Si le foret grippe dans l'ouvrage, relâchez la gâchette immédiatement, inversez le sens de rotation et appuyez lentement sur la gâchette pour faire ressortir le foret.** Soyez prêt à un fort couple de réaction. Le corps de la perceuse aura tendance à tordre en sens opposé à mesure que le foret tourne.

**Ne saisissez pas l'outil et ne placez vos mains trop près du foret ou du mandrin en rotation.** Votre main pourrait être lacérée.

**En installant un foret, insérez la tige du foret bien à l'intérieur des mâchoires du mandrin.** Si le foret n'est pas inséré assez profondément, la prise des mâchoires sur le foret est réduite et la perte de contrôle est accrue.

**N'utilisez pas de forets et d'accessoires émoussés ou endommagés.** Les forets émoussés ou endommagés ont tendance à gripper dans l'ouvrage.

**En retirant le foret de l'outil, évitez tout contact avec la peau et utilisez des gants protecteurs appropriés en saisissant le foret ou l'accessoire.** Les accessoires peuvent être chauds après une utilisation prolongée.

**Assurez-vous que les clés de serrage et de réglage sont retirées de la perceuse avant de mettre l'outil en marche.** Les clés de serrage ou de réglage peuvent être projetées à grande vitesse et frapper une personne présente ou vous-même.

**Ne faites pas fonctionner la outil en la portant à votre côté.** Un foret en rotation pourrait s'emmêler à vos vêtements, ce qui pourrait causer des blessures.

## ► Consignes de sécurité lors de l'utilisation de forets longs

**N'utilisez jamais à une vitesse plus élevée que la vitesse nominale maximum de la mèche de perçage.** À des vitesses plus élevées, il est probable que la mèche se déformera si vous la laissez tourner librement sans qu'elle ne soit en contact avec l'ouvrage, ce qui risque de causer des blessures.

**Commencez à percer à faible vitesse en vous assurant que la pointe de la mèche est en contact avec l'ouvrage.** À des vitesses plus élevées, il est probable que la mèche se déformera si vous la laissez tourner librement sans qu'elle ne soit en contact avec l'ouvrage, ce qui risque de causer des blessures.

**N'exercez de pression que dans l'axe direct de la mèche, et ne faites pas pression excessivement.** Les mèches peuvent se déformer, casser l'équipement ou causer une perte de contrôle pouvant entraîner des blessures.

## Avertissements supplémentaires concernant la sécurité

L'emploi d'un GFCI et de dispositifs de protection personnelle tels que gants et chaussures d'électricien en caoutchouc améliorent votre sécurité personnelle.

**Maintenez les poignées sèches et exemptes d'huile et de graisse.** On ne peut pas maîtriser un outil électroportatif en toute sécurité quand on a les mains glissantes.

**Créez un agenda d'entretien périodique pour votre outil. Quand vous nettoyez un outil, faites attention de n'en démonter aucune pièce car il est toujours possible de mal remonter ou de pincer les fils internes ou de remonter incorrectement les ressorts de rappel des capots de protection.** Certains agents de nettoyage tels que l'essence, le tétrachlorure de carbone, l'ammoniac, etc. risquent d'abîmer les plastiques.

**Veillez à ce que l'interrupteur soit dans la position de fermeture avant d'insérer le bloc-piles.** L'insertion d'un bloc-piles dans un outil électroportatif dont l'interrupteur est dans la position de marche est une invite aux accidents.

**⚠ AVERTISSEMENT** Les travaux à la machine tel que ponçage, sciage, meulage, perçage et autres travaux du bâtiment peuvent créer des poussières contenant des produits chimiques qui sont des causes reconnues de cancer, de malformation congénitale ou d'autres problèmes reproductifs. Ces produits chimiques sont, par exemple :

- Le plomb provenant des peintures à base de plomb,
- Les cristaux de silices provenant des briques et du ciment et d'autres produits de maçonnerie, et
- L'arsenic et le chrome provenant des bois traités chimiquement.








Le niveau de risque dû à cette exposition varie avec la fréquence de ces types de travaux. Pour réduire l'exposition à ces produits chimiques, il faut travailler dans un lieu bien ventilé et porter un équipement de sécurité approprié tel que certains masques à poussière conçus spécialement pour filtrer les particules microscopiques.

### LA SÉCURITÉ AVANT TOUT

POUR ASSURER SA SÉCURITÉ, L'UTILISATEUR DOIT FAIRE PREUVE DE BON SENS ET DE VIGILANCE PENDANT TOUT LE TEMPS DURANT LEQUEL IL SE SERT DE L'OUTIL.












## Symboles

**IMPORTANT** : Certains des symboles suivants peuvent être utilisés sur votre outil. Veuillez les étudier et apprendre leur signification. Une interprétation appropriée de ces symboles vous permettra d'utiliser l'outil de façon plus efficace et plus sûre.

Symbole	Désignation / Explication
V	Volts (voltage)
A	Ampères (courant)
Hz	Hertz (fréquence, cycles par seconde)
W	Watt (puissance)
kg	Kilogrammes (poids)
min	Minutes (temps)
s	Seconds (temps)
∅	Diamètre (taille des mèches de perceuse, meules, etc.)
$n_0$	Vitesse à vide (vitesse de rotation, à vide)
n	Vitesse nominale (vitesse maximum pouvant être atteinte)
.../min	Tours ou mouvement alternatif par minute (tours, coups, vitesse en surface, orbites, etc., par minute)
0	Position d'arrêt (vitesse zéro, couple zéro ...)
1, 2, 3, ... I, II, III,	Réglages du sélecteur (Réglages de vitesse, de couple ou de position. Un nombre plus élevé signifie une vitesse plus grande)
	Sélecteur variable à l'infini avec arrêt (La vitesse augmente depuis le réglage 0)
	Flèche (action dans la direction de la flèche)
	Courant alternatif (type ou caractéristique du courant)
	Courant continu (type ou caractéristique du courant)
	Courant alternatif ou continu (type ou caractéristique du courant)
	Construction classe II (désigne des outils construits avec double isolation)
	Borne de terre (borne de mise à la terre)

## Symboles (suite)

**IMPORTANT** : Certains des symboles suivants peuvent être utilisés sur votre outil. Veuillez les étudier et apprendre leur signification. Une interprétation appropriée de ces symboles vous permettra d'utiliser l'outil de façon plus efficace et plus sûre.

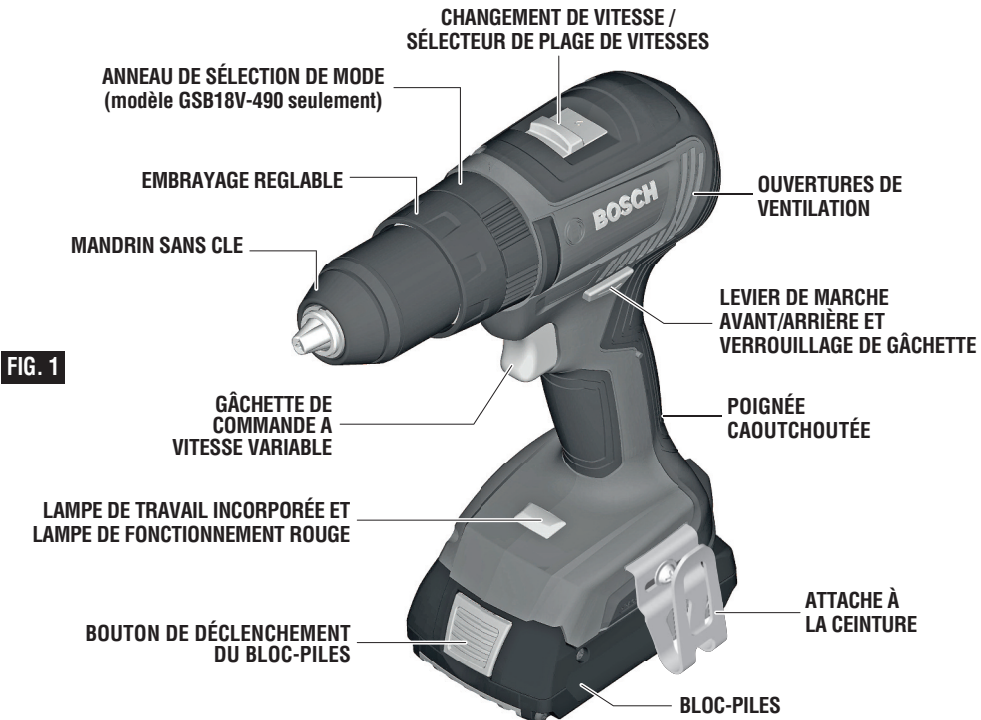
Symbole	Désignation / Explication
	Désigne le programme de recyclage des piles Li-ion.
	Désigne le programme de recyclage des piles Ni-Cad.
	Alerte l'utilisateur pour lire le mode d'emploi
	Alerte l'utilisateur pour porter des lunettes de sécurité
	Ce symbole signifie que cet outil est approuvé par Underwriters Laboratories.
	Ce symbole indique que ce composant est reconnu par Underwriters Laboratories.
	Ce symbole signifie que cet outil est approuvé par Underwriters Laboratories selon les normes des États-Unis et du Canada.
	Ce symbole signifie que cet outil est approuvé par l'Association canadienne de normalisation.
	Ce symbole signifie que cet outil est approuvé par l'Association canadienne de normalisation selon les normes des États-Unis et du Canada.
 Intertek	Ce symbole signifie que cet outil est approuvé par Intertek Testing Services selon les normes des États-Unis et du Canada
	Ce symbole signifie que cet outil se conforme aux normes mexicaines NOM.

## Description fonctionnelle et spécifications

### **AVERTISSEMENT**

Débranchez le bloc-piles de l'outil avant d'effectuer tout assemblage ou réglage, ou de changer des accessoires. Ces mesures de sécurité préventives réduisent le risque d'une mise en marche accidentelle de l'outil.

### Perceuses/tournevis sans cordon et perceuses à percussion sans cordon



#### NUMERO DE MODELE

Tension nominale

Régime à vide 1

Régime à vide 2

Taux de percussion

#### Capacités maximales

Dimension de mandrin

Tailles de vis

#### Profondeur de forage maximale

Perçage de métal doux

Perçage de bois dur

Perçage de bois doux

Perçage de maçonnerie

#### GSR18V-490

18 V  $\text{---}$

$n_0$  0-600/min

$n_0$  0-1 900/min

NA

13 mm

#16 x 76 mm

13 mm

38 mm

51 mm

NA

#### GSB18V-490

18 V  $\text{---}$

$n_0$  0-600/min

$n_0$  0-1 900/min

0-22000 b/mn

13 mm

#16 x 76 mm

13 mm

38 mm

51 mm

13 mm

**REMARQUE :** Pour spécifications de l'outil, reportez-vous à la plaque signalétique de votre outil.

#### Bloc-piles/chargeurs

Veuillez vous reporter au mode d'emploi de votre pile / chargeur qui accompagne votre outil.



## Assemblage

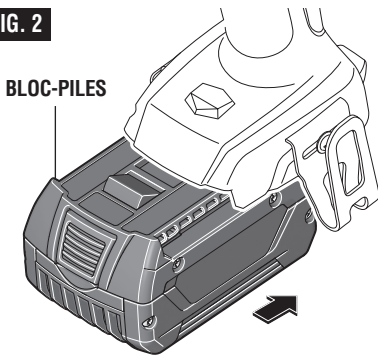
**⚠ AVERTISSEMENT** Débranchez le bloc-piles de l'outil avant d'effectuer tout assemblage ou réglage, ou de changer des accessoires. Ces mesures de sécurité préventives réduisent le risque d'une mise en marche accidentelle de l'outil.

### ► Insertion et retrait du bloc-piles

Mettez le levier de marche avant/arrière au centre (en position d'arrêt). Faites glisser le bloc-piles chargé dans le bâti jusqu'à ce que le bloc-piles se bloque en position (Fig. 2).

Votre outil est muni d'un loquet de verrouillage secondaire qui empêche le bloc-piles de se séparer complètement de la poignée et de tomber au cas où il viendrait à se décrocher à cause des vibrations.

FIG. 2

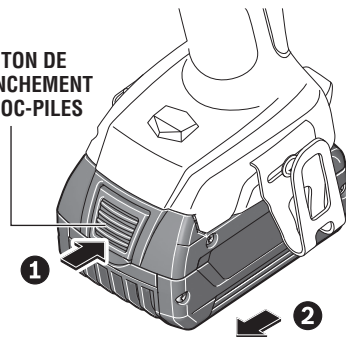


Pour retirer le bloc-piles, appuyez sur le bouton de déclenchement du bloc-piles et faites glisser le bloc-piles vers l'avant (Fig. 3).

Appuyez une fois de plus sur le bouton de déclenchement du bloc-piles et faites glisser le bloc-piles jusqu'à ce qu'il sorte complètement du bâti de l'outil (Fig. 3).

FIG. 3

BOUTON DE DÉCLENCHEMENT DU BLOC-PILES



### ► Insertion des forets

**⚠ AVERTISSEMENT** N'utilisez pas la puissance de la perceuse en saisissant le mandrin pour desserrer ou resserrer le foret. Si vous tentez de saisir le mandrin en rotation, vous pourriez être blessé à la main ou subir une brûlure de friction.


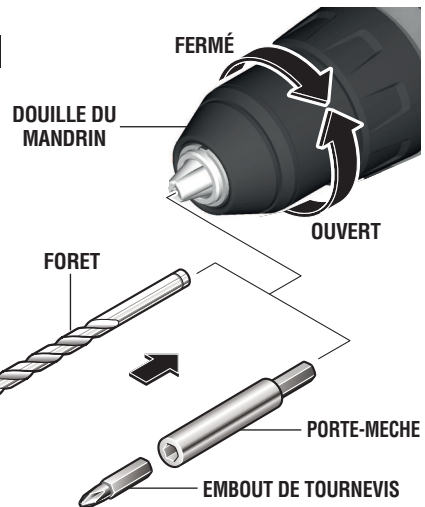
Placez le levier inverseur de marche à la position centrale « OFF ». Retirez le bloc-piles et faites tourner la bague de l'embrayage (Modèle GSR18V-490) ou la bague du sélecteur de mode (Modèle GSB18V-490) jusqu'au symbole de la mèche de perceuse «  ». Pour ouvrir, faites tourner le manchon du mandrin dans le sens contraire des aiguilles d'une montre en regardant depuis l'extrémité mandrin, et ouvrez le mandrin jusqu'au diamètre approximatif de la mèche. Insérez un foret propre jusqu'aux cannelures du foret pour les petits forets, ou aussi loin que possible pour les gros forets. Fermez le mandrin en tournant le manchon du mandrin dans le sens des aiguilles d'une montre et en serrant fermement à la main (Fig. 4). Remettez l'anneau de l'embrayage ou l'anneau de sélecteur de mode dans la position désirée.

FIG. 4



## ▶ Attache de ceinture

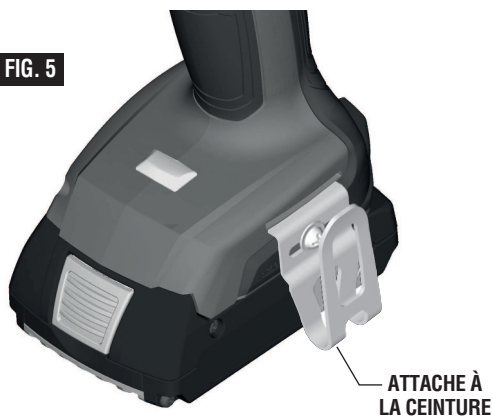
**⚠ AVERTISSEMENT** Quand l'outil est attaché à la ceinture, positionnez-vous de façon à éviter toute prise dans les objets alentour. Un coincement inattendu peut causer la chute de l'outil et blesser l'opérateur ou d'autres personnes.

L'accessoire en option d'attache à la ceinture est un moyen pratique d'attacher votre outil à la ceinture. Ce dispositif vous permet d'avoir les deux mains libres pour monter sur une échelle ou changer de lieu de travail.

L'attache de ceinture peut être fixée de n'importe quel côté de l'outil en la fixant avec une vis de montage. Veillez toujours à bien serrer la vis de montage avant l'utilisation (Fig. 5).

Pour utiliser l'attache, retournez l'outil et fixez-le à la ceinture.

FIG. 5



## ▶ Porte-mèche 4x

**⚠ AVERTISSEMENT** Ne rangez que des pointes de mèches dans le porte-mèche incorporé à l'outil. Des mèches plus longues pourraient faire obstacle à un fonctionnement correct de l'outil et causer des blessures des utilisateurs.

Le porte-mèche à quatre pièces peut être utilisé pour permettre un rangement pratique sur l'outil des mèches que vous utilisez le plus souvent.

Lorsque vous voulez monter le porte-mèche accessoire, montez-le sur le côté de la perceuse qui est opposé à celui de l'attache de ceinture.

Assurez-vous de serrer fermement la vis de montage avant l'emploi (Fig. 6).

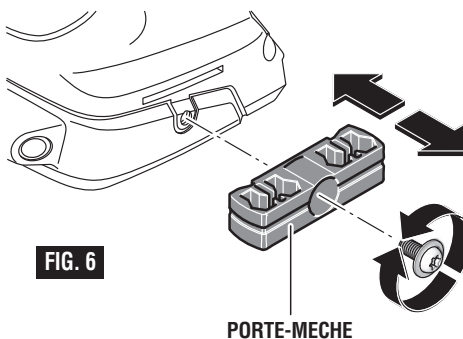


FIG. 6

## Consignes de fonctionnement

### ► Gâchette de commande à vitesse variable

Votre outil est équipé d'une gâchette de commande à vitesse variable. Vous pouvez mettre le tournevis en marche ou à l'arrêt en appuyant sur la gâchette ou en relâchant, suivant le cas. En fonction de la pression exercée sur la gâchette, il est possible de régler la vitesse dans les limites minimale et maximale spécifiées sur la plaquette emblématique. Exercez plus de pression pour augmenter la vitesse et moins pour la diminuer (Fig. 1).

### ► Levier de marche avant/arrière et verrouillage de gâchette

**⚠ AVERTISSEMENT** Après avoir utilisé l'outil, verrouillez la gâchette en position d'arrêt pour éviter les risques de démarrage accidentel et de décharge accidentelle.

**⚠ MISE EN GARDE** Ne changez pas le sens de rotation avant que l'outil ne se soit complètement immobilisé. Un changement durant la rotation du mandrin pourrait endommager l'outil.

Votre outil est équipé d'un levier de marche avant/arrière et d'un verrouillage de gâchette se trouvant au-dessus de la gâchette (Fig. 8). Ce levier a été conçu de manière à changer la rotation de l'embout et verrouiller la gâchette en position d'arrêt.

Pour la rotation avant (le mandrin étant dirigé en sens opposé à vous), déplacez le levier à l'extrême gauche (Fig. 8).

Pour la rotation inverse, déplacez le levier à l'extrême droite (Fig. 9). Pour actionner le verrouillage de gâchette, déplacez le levier à la position centrale (arrêt).

FIG. 8

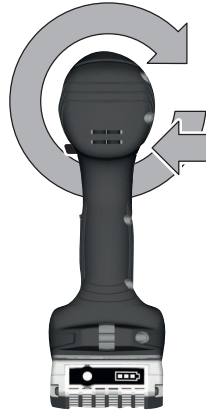
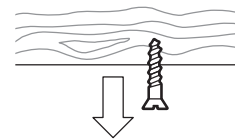
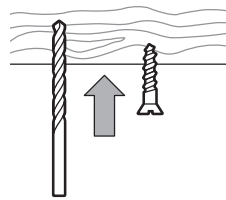
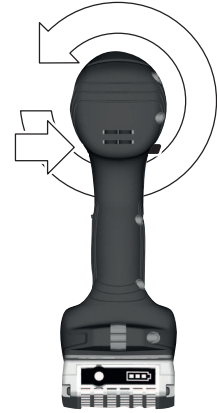


FIG. 9

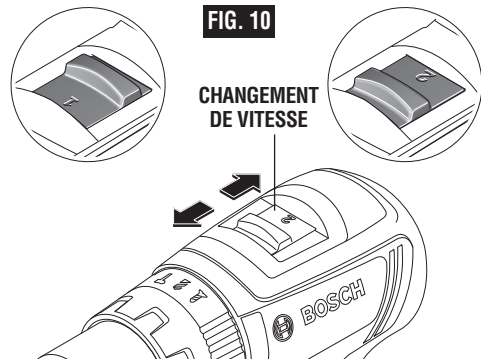


### ► Changement de vitesses

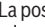
Votre outil comporte deux régimes distincts, le bas régime et le haut régime. Le bas régime produit un couple élevé et des vitesses de perçage plus lentes pour le travail à grand rendement ou pour enfoncer des vis. Le haut régime produit des vitesses plus rapides pour le perçage moins exigeant. Pour changer de vitesse, faites glisser le commutateur à la position haut ou bas régime (Fig. 10).

**ATTENTION** : Si votre outil semble fonctionner, mais le mandrin ne tourne pas, assurez-vous que l'interrupteur de changement de vitesses est poussé à fond dans le réglage désiré.

FIG. 10



### ► Embrayage réglable

Votre outil comporte 20 réglages d'embrayage. Le couple produit augmentera à mesure que l'anneau de l'embrayage est tourné de la position 1 à la position 20. La position «  » de la perceuse verrouillera l'embrayage de manière à pouvoir percer et visser dans des matériaux difficiles. Cette même position permet également de changer rapidement et facilement les forets dans le mandrin sans clé (Fig. 11).

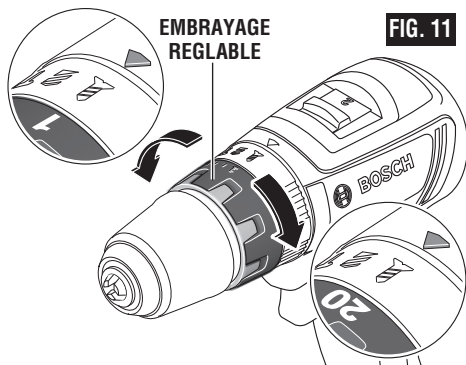


FIG. 11

### ► Frein

Le relâchement de la gâchette active le frein qui immobilise le mandrin en rapidité, ce qui est surtout pratique pour l'enfoncement et l'enlèvement répétitifs des vis.

### ► Lampe de travail à del incorporée

Votre outil est également muni d'une lumière à DEL qui s'allume automatiquement lorsque l'interrupteur est activé afin d'assurer une meilleure visibilité pour percer/visser (Fig. 1). La lumière s'éteint automatiquement peu de temps après le relâchement de la gâchette. Vous pouvez ajuster ce délai en utilisant l'appli Bosch Tool Box. Voir la section « Connectivité ».

### ► Anneau de sélection de la perceuse/perceuse à percussion (modèle GSB18V-535C seulement)

L'anneau de sélection permet de régler l'outil pour diverses applications de perçage, avec ou sans percussion. Faites tourner le cadran de sélection vers la droite ou vers la gauche en fonction des applications décrites ci-dessous (Fig. 12).

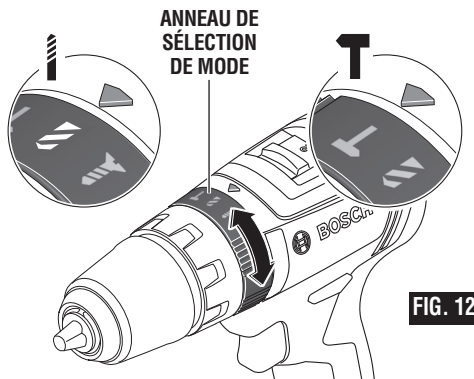


FIG. 12

Action de perçage seulement : pour percer dans des bois, des métaux, des plastiques ou d'autres matériaux, à l'exclusion du béton.

Action de perçage à percussion : pour percer dans du béton, de l'asphalte, du carrelage ou d'autres matériaux durs similaires. La position de marteau perforateur se substitue à celle de l'embrayage pour le perçage.

### ► Protection contre la surchauffe/surcharge

Évitez d'utiliser trop longtemps sans interruption des outils alimentés par des piles lorsque vous soumettez l'outil à des conditions de surcharge, comme lorsque vous percez des matériaux durs avec des accessoires de grand diamètre. L'utilisation d'outils alimentés par des piles à des charges extrêmes pourrait avoir pour effet que les piles chauffent au-delà de leur limite maximum de fonctionnement autorisée. Lorsque les piles dépassent la température normale de fonctionnement causée par une surcharge, la vitesse de l'outil peut être réduite, et l'outil peut donner l'impression de perdre une partie de sa puissance. Pour restaurer la puissance nominale de l'outil, il faut laisser les piles refroidir jusqu'à ce que la température de fonctionnement retourne à la normale.

## Consignes de fonctionnement

### ► Serrage des écrous et des boulons

La commande à vitesse variable doit être utilisée soigneusement pour poser des écrous et des boulons avec des accessoires de douille. La technique consiste à commencer lentement, puis à augmenter la vitesse à mesure que l'écrou ou le boulon s'enfonce. Posez l'écrou ou le boulon de manière à obtenir un ajustement doux en ralentissant la perceuse jusqu'à l'arrêt. Si cette technique n'est pas suivie, l'outil aura tendance à tordre dans vos mains lorsque l'écrou ou le boulon se calera.

### ► Perçage

Vous prolongerez la durée de vos forets et accomplirez un travail plus net si vous mettez toujours le foret en contact avec le matériau avant d'appuyer sur la gâchette. Durant le fonctionnement, tenez l'outil fermement et exercez une pression légère et constante. Une trop grande pression à basse vitesse bloquera l'outil. Une pression insuffisante empêchera le foret de couper et causera une friction excessive en glissant par-dessus la surface. L'outil et le foret peuvent ainsi être abîmés.

### ► Perçage à vitesse variable

La gâchette à vitesse variable vous permet d'augmenter lentement le régime. En utilisant une vitesse lente au départ, vous pouvez empêcher le foret d'« errer ». Vous pouvez augmenter la vitesse à mesure que le foret « mord » dans le matériau en appuyant sur la gâchette.

### ► Enfoncement à vitesse variable

Les perceuses à vitesse variable pourront également être utilisées comme visseuses mécaniques en remplaçant la mèche par un embout de tournevis. Avant d'enfoncer des vis, percez des trous pilotes et des trous de dégagement. Placez l'extrémité fileté de la vis dans le trou pilote ou dans le trou de dégagement, et commencez à enfoncez lentement la vis, en augmentant la vitesse au fur et à mesure que la vis s'enfonce. Ralentissez progressivement avant d'arrêter le vissage lorsque la vis est presque complètement enfoncée.

### ► Fixation à l'aide de vis

La procédure illustrée à la Fig. 13 vous permettra d'attacher des matériaux les uns aux autres en en vous servant de votre perceuse sans dénuder, écailler ou séparer ces matériaux.

Commencez pas attacher deux éléments l'un à l'autres au moyen d'une pince de fixation, puis percez un trou de diamètre égal aux deux-tiers de celui de la vis. Si le matériau est tendre, ne percez qu'aux deux-tiers de la longueur de la vis. S'il est dur, percez un trou de la longueur de la vis.

#### FIXATION À L'AIDE DE VIS

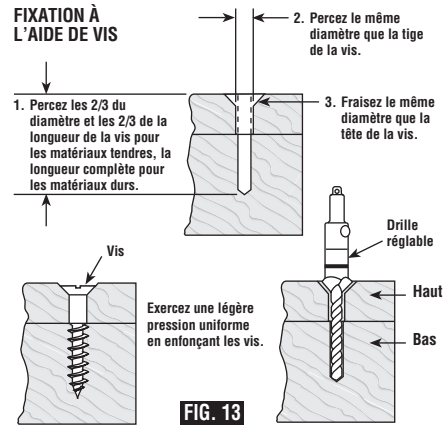


FIG. 13

Ensuite, retirez la pince de fixation et percez le trou dans le morceau de bois du haut, à nouveau avec un diamètre égal à celui de la tige de la vis.

Enfin, si une vis à tête plate est utilisée, fraisez le trou pour faire en sorte que la tête de la vis soit au ras de la surface. Réalignez les trous dans les deux morceaux de matériau et appliquez une pression uniforme lorsque vous enfoncez la vis. Le trou de dégagement pour la tige de la vis percé initialement permet à la tête de la vis d'attirer à fond les morceaux l'un vers l'autre.

L'accessoire réglable de drille exécutera rapidement et facilement toutes ces opérations. Des drilles sont offertes pour vis de tailles 6, 8, 10 et 12.

### ► Forets

Inspectez toujours les forets pour y relever toute usure excessive. N'utilisez que des forets affilés et en bon état.

**FORETS À SIMPLE SPIRALE** : Offerts avec tiges droites et réduites pour le perçage du bois et le perçage non exigeant des métaux. Les forets à grande vitesse coupent plus rapidement et durent plus longtemps sur les matériaux durs.

**FORETS À POINTE EN CARBURE** : S'utilisent pour percer la pierre, le béton, le plâtre, le ciment et les autres matériaux non métalliques exceptionnellement durs. Exercez une forte pression continue d'alimentation lorsque vous employez des forets à pointe en carbure.

### ► Perçage du bois

Assurez-vous que le matériau est assujéti par brides de fixation ou ancré fermement. Exercez toujours une pression en ligne droite avec le foret. Maintenez suffisamment de pression pour que le foret continue à « mordre ».

Vous pouvez utiliser des forets à simple spirale pour percer des trous dans le bois. Ces forets peuvent surchauffer à moins que vous ne les retiriez fréquemment pour enlever les copeaux sur les cannelures.

Utilisez un bloc d'appui en bois pour les matériaux susceptibles de voler en éclats tels que les matériaux minces.

Vous percerez un trou plus net si vous relâchez la pression immédiatement avant que le foret ne traverse le bois. Terminez ensuite le trou à l'arrière.

### ► Perçage des métaux

Il existe deux règles pour percer les matériaux durs. En premier lieu, plus le matériau est dur, plus il vous faut exercer de pression sur l'outil. En deuxième lieu, plus le matériau est dur, plus vous devez percer lentement. Voici quelques conseils pour

percer les métaux. Lubrifiez la pointe du foret à l'occasion à l'aide d'huile de coupe, sauf lorsque vous percez des métaux tendres tels que l'aluminium, le cuivre ou la fonte de fer. Si le trou à percer est assez grand, percez d'abord un plus petit trou, puis agrandissez-le aux dimensions nécessaires. C'est souvent plus rapide à long terme. Maintenez suffisamment de pression pour faire en sorte que le foret ne fasse pas seulement tourner dans le trou. Ceci émoussera le foret et réduira considérablement sa vie utile.

### ► Perçage de la maçonnerie

Les matériaux tendres tels que la brique sont relativement faciles à percer. Cependant, le béton nécessitera une pression beaucoup plus grande pour empêcher le foret de tourner. Veillez à utiliser des forets à pointe en carbure pour tout le travail de maçonnerie.

**⚠ AVERTISSEMENT** Avant d'utiliser un accessoire, assurez-vous que sa vitesse maximale de fonctionnement sûr n'est pas dépassée par la vitesse indiquée sur la plaque signalétique de l'outil. Ne dépassez pas le diamètre recommandé de la meule.

### ► Ponçage et polissage

Le polissage et le ponçage de finition nécessitent une « touche ». Choisissez la vitesse la plus efficace.

En utilisant les bonnets de polissage, assurez-vous toujours que l'excédent de corde qui fixe le bonnet est bien rentré à l'intérieur du bonnet durant le fonctionnement.

### ► Brosses métalliques

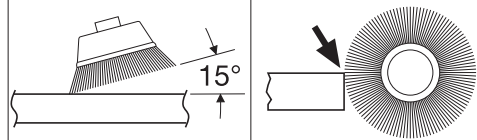
Le travail avec les brosses nécessite des grandes vitesses.

### ► Pression de broissage

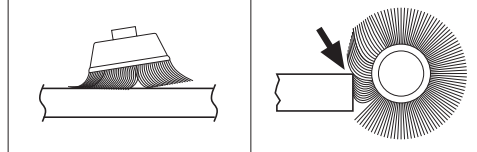
1. Laissez les pointes d'une brosse métallique faire le travail. N'appliquez qu'une pression très légère sur la brosse de sorte que seules les pointes des poils viennent en contact avec la pièce.
2. Si vous appliquez une pression trop importante, les poils seront surchargés, résultant en un balayage de la pièce. Si ceci se prolonge, la durée de vie de la brosse s'en trouvera écourtée à cause de la fatigue des poils.

3. Appliquez la brosse sur la pièce de manière à ce que la plus grande partie possible de sa tranche soit en contact total avec la pièce. Appliquer le côté ou le bord de la brosse sur la pièce résulterait en une cassure des poils et écourterait sa durée de vie.

**CORRECT** Les pointes des poils font le travail.



**INCORRECT** Pression excessive risquant de briser les poils.



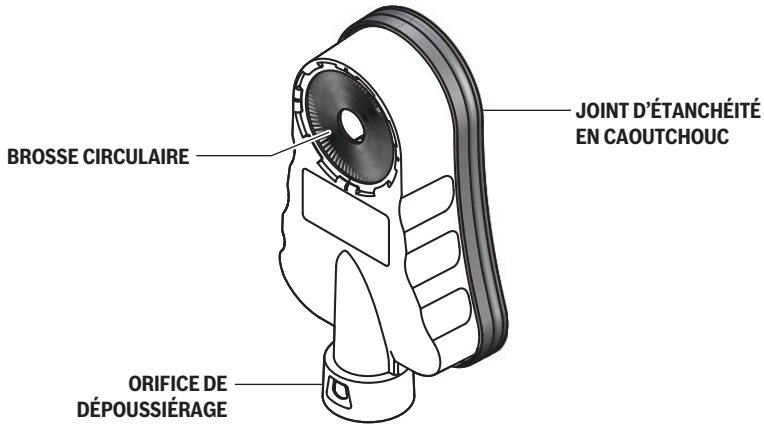
## Extraction de poussière

### Description fonctionnelle et spécifications HDC200 (accessoire optionnel)

#### **AVERTISSEMENT**

Pour réduire le risque de blessure, l'utilisateur doit lire le mode d'emploi afin d'apprendre à employer l'outil avec cet accessoire.

**FIG. 14**



Capacité de perçage	
HDC 200	
Optimisée	6 – 35mm (1/4" – 1-3/8")
Maximum	66.7mm (2-5/8") *
	* La brosse circulaire doit être retirée pour les diamètres de plus de 35mm (1-3/8").

## Extraction de poussière

### Instructions d'utilisation HDC200

**⚠ AVERTISSEMENT** Débranchez la fiche de la prise de courant avant d'effectuer quelque assemblage ou réglage que ce soit ou de changer les accessoires. Ces mesures de sécurité préventive réduisent le risque d'une mise en marche accidentelle de l'outil.

Les accessoires de dépoussiérage HDC200 de Bosch sont conçus pour être utilisés dans des applications de perçage dans des matériaux tels que du béton et de la maçonnerie.

L'accessoire HDC200 est optimisé pour emploi avec des mèches de diamètre compris entre 1/4 po et 1-3/8 po. Le diamètre maximum de la mèche est 2-5/8 po (la brosse circulaire doit être retirée pour les diamètres supérieurs à 1-3/8 po).

Insérez le tuyau de l'extracteur de poussière dans l'orifice de dépoussiérage du dispositif de dépoussiérage (Fig. 15).

Le tuyau de l'extracteur de poussière Bosch est fourni avec un suceur à manchon attaché à un connecteur encliquetable. Le suceur à manchon fournit la façon la plus rapide et la plus facile de raccorder le suceur à l'accessoire. Le connecteur encliquetable assure une connexion plus sécurisée. Pour utiliser le connecteur encliquetable, détachez le suceur en caoutchouc du tuyau de l'extracteur de poussière. Appuyez sur le connecteur encliquetable pour le faire entrer dans

l'orifice de dépoussiérage jusqu'à ce que vous entendiez un dé clic.

Des adaptateurs pour orifices de dépoussiérage sont également disponibles pour connecter l'accessoire de dépoussiérage de Bosch à tout tuyau d'aspiration de diamètre standard. Veuillez aller sur le site [Boschtools.com](http://Boschtools.com) pour plus de détails.

Mettez l'extracteur de poussière sous tension et placez l'accessoire sur le mur (ou sur le sol), au-dessus de l'emplacement désiré pour effectuer le perçage de façon que le centre du trou soit aligné sur le centre de l'ouverture de la brosse circulaire. Remarque : l'aspiration provenant de l'extracteur de poussière maintiendra l'accessoire en place sur la surface de travail. Introduisez la mèche à travers l'ouverture de la brosse circulaire à l'emplacement désiré pour effectuer le perçage et commencez à percer le trou désiré (Fig. 16). Suivez toutes les instructions d'utilisation de l'outil ainsi que les consignes de sécurité.

Remarque : pour obtenir les meilleurs résultats possibles, laissez l'outil en marche même après avoir extrait la mèche du trou. La combinaison de l'aspiration et du mouvement rotatif de la mèche aide à retirer la plus grande partie de la poussière du trou.

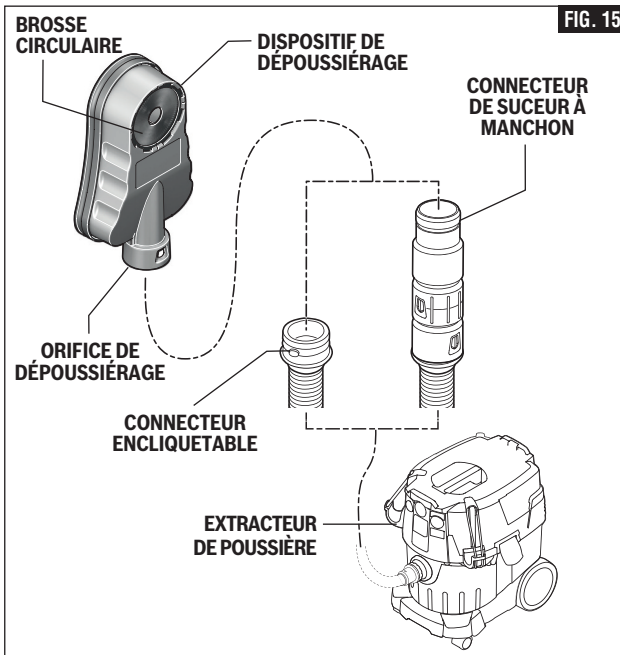


FIG. 15

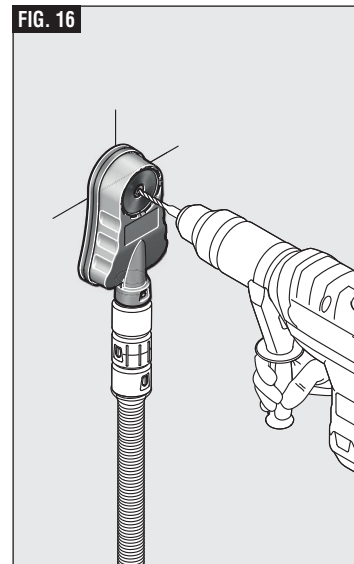


FIG. 16



## Entretien

### **⚠ AVERTISSEMENT**

Pour éviter les accidents, débranchez toujours l'outil et/ou le chargeur de la source de courant avant de nettoyer.

#### ► Service

### **⚠ AVERTISSEMENT**

**IL N'EXISTE À L'INTÉRIEUR AUCUNE PIÈCE SUSCEPTIBLE D'ÊTRE ENTRETENUE PAR L'UTILISATEUR. L'entretien préventif exécuté par des personnes non autorisés peut entraîner un positionnement erroné des composants et des fils internes, ce qui peut présenter de graves dangers.** Nous recommandons de confier toute intervention d'entretien sur l'outil à un centre de service-usine Bosch ou à un centre de service après-vente Bosch agréé.

#### ► Piles

**Faire attention aux blocs-piles qui approchent la fin de leur vie.** Si vous remarquez une diminution dans les performances de votre outil ou une durée de fonctionnement réduite de manière significative entre charges, il est temps de remplacer le bloc-piles. S'il n'est pas remplacé, il se peut qu'il endommage le chargeur ou que l'outil fonctionne incorrectement.

#### ► Graissage de l'outil

Votre outil Bosch a été graissé de manière appropriée et il est prêt à l'usage.

#### ► Moteurs C.C.

Le moteur de votre outil a été conçu pour de nombreuses heures d'utilisation fiable. Pour maintenir l'efficacité maximale du moteur, nous recommandons de l'examiner tous les six mois. Seul un moteur de remplacement Bosch authentique, conçu spécialement pour votre outil, doit être utilisé.

#### ► Nettoyage

### **⚠ MISE EN GARDE**

**Certains agents de nettoyages et certains dissolvants abîment les pièces en plastique.** Parmi ceux-ci se trouvent: l'essence, le tétrachlorure de carbone, les dissolvants de nettoyage chlorés, l'ammoniaque ainsi que les détergents domestiques qui en contiennent.

Les prises d'air et les leviers de commutation doivent être gardés propres et exempts de corps étrangers. Ne tentez pas de nettoyer en insérant des objets pointus à travers l'ouverture.





## Accessoires

### **⚠ AVERTISSEMENT**

**N'utilisez pas d'attachelements/d'accessoires autres que ceux qui sont spécifiés par Bosch.** L'utilisation d'attachelements/d'accessoires non spécifiés pour une utilisation avec l'outil décrit dans ce mode d'emploi peut entraîner des dommages à l'outil, des dommages matériels ou des blessures.

## Símbolos de seguridad

Las definiciones que aparecen a continuación describen el nivel de gravedad de cada palabra de señal de seguridad. Por favor, lea el manual y preste atención a estos símbolos.

	Éste es el símbolo de alerta de seguridad. Se utiliza para alertarle a usted de posibles peligros de lesiones corporales. Obedezca todos los mensajes de seguridad que sigan a este símbolo para evitar posibles lesiones o muerte.
	PELIGRO indica una situación peligrosa que, si no se evita, causará la muerte o lesiones graves.
	ADVERTENCIA indica una situación peligrosa que, si no se evita, podría causar la muerte o lesiones graves.
	PRECAUCIÓN indica una situación peligrosa que, si no se evita, podría causar lesiones leves o moderadas.

## Advertencias generales de seguridad para herramientas mecánicas

**ADVERTENCIA** Lea todas las advertencias de seguridad, instrucciones, ilustraciones y especificaciones suministradas con esta herramienta eléctrica. Si no se siguen todas las instrucciones que se indican a continuación, es posible que el resultado sea descargas eléctricas, incendio y/o lesiones graves.

### GUARDE TODAS LAS ADVERTENCIAS E INSTRUCCIONES PARA REFERENCIA FUTURA

La expresión "herramienta mecánica" en las advertencias se refiere a su herramienta mecánica alimentada por la red eléctrica (herramienta alámbrica) o su herramienta mecánica alimentada por baterías (herramienta inalámbrica).

#### ► Seguridad del área de trabajo

**Mantenga el área de trabajo limpia y bien iluminada.** Las áreas desordenadas u oscuras invitan a que se produzcan accidentes.

**No utilice herramientas mecánicas en atmósferas explosivas, como por ejemplo en presencia de líquidos, gases o polvos inflamables.** Las herramientas mecánicas generan chispas que pueden incendiar el polvo o los vapores.

**Mantenga alejados a los niños y a las personas que estén presentes mientras esté utilizando una herramienta mecánica.** Las distracciones pueden hacerle perder el control de la herramienta.

#### ► Seguridad eléctrica

**Los enchufes de las herramientas mecánicas deben coincidir con el tomacorriente. No modifique nunca el enchufe de ningún modo. No use enchufes adaptadores con herramientas mecánicas conectadas a tierra (puestas a tierra).** Los enchufes no modificados y los tomacorrientes coincidentes reducirán el riesgo de sacudidas eléctricas.

**Evite el contacto del cuerpo con las superficies conectadas o puestas a tierra, tales como tuberías, radiadores, estufas y refrigeradores.** Hay un aumento del

riesgo de sacudidas eléctricas si el cuerpo del operador se conecta o pone a tierra.

**No exponga las herramientas mecánicas a la lluvia o a condiciones mojadas.** La entrada de agua en una herramienta mecánica aumentará el riesgo de que se produzcan sacudidas eléctricas.

**No maltrate el cordón de energía. No use nunca el cordón para transportar la herramienta mecánica, tirar de ella o desenchufarla. Mantenga el cordón alejado del calor, el aceite, los bordes afilados o las piezas móviles.** Los cordones dañados o enganchados aumentan el riesgo de que se produzcan sacudidas eléctricas.

**Cuando utilice una herramienta mecánica en el exterior, use un cordón de extensión adecuado para uso a la intemperie.** La utilización de un cordón adecuado para uso a la intemperie reduce el riesgo de que se produzcan sacudidas eléctricas.

**Si es inevitable utilizar una herramienta mecánica en un lugar húmedo, utilice una fuente de energía protegida por un interruptor de circuito accionado por corriente de pérdida a tierra (GFCI).** El uso de un GFCI reduce el riesgo de sacudidas eléctricas.

#### ► Seguridad personal

**Manténgase alerta, fíjese en lo que está haciendo y use el sentido común cuando esté utilizando una**

**herramienta mecánica. No use una herramienta mecánica cuando esté cansado o bajo la influencia de drogas, alcohol o medicamentos.** Un momento de distracción mientras esté utilizando herramientas mecánicas podría causar lesiones corporales graves.

**Use equipo de protección personal. Use siempre protección de los ojos.** El equipo de protección, como por ejemplo una máscara antipolvo, calzado de seguridad antideslizante, casco o protección de oídos, utilizado para las condiciones apropiadas, reducirá las lesiones corporales.

**Evite el arranque accidental. Asegúrese de que el interruptor esté en la posición de apagado antes de conectar la herramienta a la fuente de energía y / o al paquete de batería, levantar la herramienta o transportarla.** Transportar herramientas mecánicas con un dedo en el interruptor o encender herramientas mecánicas que tengan el interruptor en la posición de encendido invita a que se produzcan accidentes.

**Quite todas las llaves de ajuste o de tuerca antes de encender la herramienta mecánica.** Una llave de tuerca o de ajuste que se deje colocada en una pieza giratoria de la herramienta mecánica podría causar lesiones corporales.

**No intente alcanzar demasiado lejos. Mantenga un apoyo de los pies y un equilibrio apropiados en todo momento.** Esto permite controlar mejor la herramienta mecánica en situaciones inesperadas.

**Vístase adecuadamente. No use ropa holgada ni alhajas holgadas. Mantenga el pelo, la ropa y los guantes alejados de las piezas móviles.** La ropa holgada, las alhajas holgadas o el pelo largo pueden quedar atrapados en las piezas móviles.

**Si se proporcionan dispositivos para la conexión de instalaciones de extracción y recolección de polvo, asegúrese de que dichas instalaciones estén conectadas y se usen correctamente.** El uso de dispositivos de recolección de polvo puede reducir los peligros relacionados con el polvo.

**No deje que la familiaridad obtenida con el uso frecuente de las herramientas le haga volverse complaciente e ignorar los principios de seguridad de las herramientas.** Una acción descuidada puede causar lesiones graves en una fracción de segundo.

### ► **Uso y cuidado de las herramientas mecánicas**

**No fuerce la herramienta mecánica. Use la herramienta mecánica correcta para la aplicación que desee realizar.** La herramienta mecánica correcta hará el trabajo mejor y con más seguridad a la capacidad nominal para la que fue diseñada.

**No use la herramienta mecánica si el interruptor no la enciende y apaga.** Toda herramienta mecánica que no se pueda controlar con el interruptor es peligrosa y debe ser reparada.

**Desconecte el enchufe de la fuente de alimentación y/o retire el paquete de batería de la herramienta eléctrica, si es extraíble, antes de hacer cualquier ajuste, cambiar**

**accesorios o almacenar herramientas eléctricas.** Dichas medidas preventivas de seguridad reducen el riesgo de arrancar accidentalmente la herramienta mecánica.

**Guarde las herramientas que no esté usando fuera del alcance de los niños y no deje que personas que no estén familiarizadas con la herramienta mecánica o con estas instrucciones utilicen la herramienta.** Las herramientas mecánicas son peligrosas en manos de usuarios que no hayan recibido capacitación.

**Mantenga las herramientas eléctricas y sus accesorios. Compruebe si hay piezas móviles desalineadas o atoradas, si hay piezas rotas y cualquier otra situación que pueda afectar al funcionamiento de la herramienta eléctrica. Si la herramienta eléctrica está dañada, haga que sea reparada antes de utilizarla.** Muchos accidentes son causados por herramientas mecánicas mantenidas deficientemente.

**Mantenga las herramientas de corte afiladas y limpias.** Es menos probable que las herramientas de corte mantenidas apropiadamente, con bordes de corte afilados, se atoren, y dichas herramientas son más fáciles de controlar.

**Utilice la herramienta mecánica, los accesorios, las brocas de la herramienta, etc., de acuerdo con estas instrucciones, teniendo en cuenta las condiciones de trabajo y el trabajo que se vaya a realizar.** El uso de la herramienta mecánica para operaciones distintas a aquéllas para las que fue diseñada podría causar una situación peligrosa.

**Mantenga secos, limpios y libres de aceite y grasa los mangos y las superficies de agarre.** Si están resbalosos, los mangos y las superficies de agarre no permiten un manejo y un control seguros de la herramienta en situaciones inesperadas.

### ► **Uso y cuidado de las herramientas alimentadas por baterías**

**Recargue las baterías solamente con el cargador especificado por el fabricante.** Un cargador que es adecuado para un tipo de paquete de batería puede crear un riesgo de incendio cuando se utiliza con otro paquete de batería.

**Utilice las herramientas mecánicas solamente con paquetes de batería designados específicamente.** El uso de cualquier otro paquete de batería puede crear un riesgo de lesiones e incendio.

**Cuando el paquete de batería no se esté usando, manténgalo alejado de otros objetos metálicos, tales como sujetapapeles, monedas, llaves, clavos, tornillos u otros objetos metálicos pequeños que pueden hacer una conexión de un terminal a otro.** Si se cortocircuitan los terminales de la batería uno con otro, se pueden causar quemaduras o un incendio.

**En condiciones abusivas, es posible que se eyecte líquido de la batería. Evite el contacto. Si se produce un contacto accidental, enjuáguese con agua. Si el líquido entra en contacto con los ojos, obtenga además ayuda médica.** El

líquido que salga eyectado de la batería puede causar irritación o quemaduras.

**No utilice un paquete de batería o una herramienta que hayan sido dañados o modificados.** Es posible que las baterías dañadas o modificadas exhiban un comportamiento impredecible que cause un incendio, una explosión o riesgo de lesiones.

**No exponga un paquete de batería o una herramienta a un fuego o una temperatura excesiva.** Es posible que la exposición a un fuego o una temperatura superior a 265 °F cause una explosión.

**Siga todas las instrucciones de carga y no cargue el paquete de batería ni la herramienta fuera del intervalo de temperatura especificado en las instrucciones.** Es

posible que realizar una carga incorrectamente o a temperaturas que estén fuera del intervalo especificado dañe la batería y aumente el riesgo de incendio.

### ► Servicio de ajustes y reparaciones

**Haga que su herramienta mecánica reciba servicio de un técnico de reparaciones calificado, utilizando únicamente piezas de repuesto idénticas.** Esto asegurará que se mantenga la seguridad de la herramienta mecánica.

**No haga nunca servicio de ajustes y reparaciones de paquetes de batería dañados.** El servicio de ajustes y reparaciones de los paquetes de batería deberá ser realizado únicamente por el fabricante o por proveedores de servicio autorizados.

## Normas de seguridad para taladros de percusión sin cordón

**Use protectores de oídos con los taladros de percusión.** La exposición al ruido puede causar pérdida de audición.

**Utilice el mango o mangos auxiliares si se suministran con la herramienta.** La pérdida de control puede causar lesiones corporales.

**Agarre la herramienta eléctrica por las superficies de agarre con aislamiento cuando realice una operación en la que el accesorio de corte pueda entrar en contacto con cables ocultos.** El accesorio de corte que entre en contacto con un cable que tenga corriente puede hacer que las partes metálicas de la herramienta eléctrica que estén al descubierto tengan corriente y podrían causar una descarga eléctrica al operador.

**Use abrazaderas u otro modo práctico de sujetar y soportar la pieza de trabajo en una plataforma estable.** Si se sujeta la pieza de trabajo con la mano o contra el cuerpo, se crea una situación inestable que podría causar pérdida de control.

**No taladre, rompa, ni haga trabajo de sujeción en paredes existentes ni en otras áreas ciegas donde pueda haber cables eléctricos.** Si esta situación es inevitable, desconecte todos los fusibles o cortacircuitos que alimentan este sitio de trabajo.

**Use protectores de oídos cuando utilice la Use siempre gafas de seguridad o protección de los ojos cuando utilice esta herramienta. Use una máscara antipolvo o un respirador para aplicaciones que generan polvo.**

**Use guantes con almohadillado grueso y limite el tiempo de exposición tomando frecuentes períodos de descanso.** La vibración causada por la acción de percusión y taladrado puede ser perjudicial para las manos y los brazos.

**Fije el material que se está taladrando. Nunca lo tenga en las manos ni sobre las piernas.** Un soporte inestable puede hacer que la broca taladradora se atasque, causando pérdida de control y lesiones.

**Desconecte el paquete de batería de la herramienta antes de realizar cualquier ensamblaje, ajuste o cambio**

**de accesorios.** Dichas medidas preventivas de seguridad reducen el riesgo de arrancar la herramienta accidentalmente.

**Sítuese de modo que evite ser atrapado entre la herramienta o el mango lateral y las paredes o los postes.** Si la broca se atasca o se engancha en la pieza de trabajo, el par motor de reacción de la herramienta podría aplastarle la mano o la pierna.

**Si la broca se atasca en la pieza de trabajo, suelte el gatillo inmediatamente, invierta el sentido de giro y apriete lentamente el gatillo para sacar la broca.** Esté preparado para un fuerte par motor de reacción. El cuerpo del taladro tenderá a torcerse en sentido contrario al del giro de la broca.

**No agarre la herramienta ni ponga las manos demasiado cerca del mandril o la broca taladradora que gira.** Podría sufrir laceraciones en la mano.

**Al instalar una broca taladradora, introduzca el cuerpo de la broca bien a fondo entre las mordazas del mandril.** Si la broca no se introduce hasta una profundidad suficiente, se reduce el agarre de las mordazas sobre la broca y se aumenta la pérdida de control.

**No utilice brocas ni accesorios desafilados o dañados.** Las brocas o accesorios desafilados o dañados tienen mayor tendencia a atascarse en la pieza de trabajo.

**Al sacar la broca de la herramienta, evite el contacto con la piel y use guantes protectores adecuados al agarrar la broca o el accesorio.** Los accesorios pueden estar calientes después de un uso prolongado.

**Compruebe que las llaves de ajuste y de tuerca se hayan quitado del taladro antes de encender la herramienta.** Las llaves de ajuste o de tuerca pueden salir despedidas a gran velocidad y golpearle a usted o golpear a alguien que se esté presente.

**No tenga en marcha la herramienta mientras lo lleva a su lado.** Una broca taladradora que gira podría engancharse en la ropa y producir lesiones.

## ► Instrucciones de seguridad al usar brocas largas

**No utilice nunca la herramienta a una velocidad superior a la velocidad nominal máxima de la broca taladradora.** A velocidades más altas es probable que la broca se doble si se deja que rote libremente sin entrar en contacto con la pieza de trabajo, lo cual causará lesiones corporales.

**Comience a taladrar siempre a velocidad baja y con la punta de la broca en contacto con la pieza de trabajo.** A velocidades más altas es probable que la broca se doble si se deja que rote libremente sin entrar en contacto con la pieza de trabajo, lo cual causará lesiones corporales.

**Aplique presión solamente en línea directa con la broca y no aplique una presión excesiva.** Las brocas se pueden doblar y con ello causar rotura o pérdida de control, lo cual provocará lesiones corporales.

## Advertencias de seguridad adicionales

Un GFCI y los dispositivos de protección personal, como guantes de goma y calzado de goma de electricista, mejorarán más su seguridad personal.

**Mantenga los mangos secos, limpios y libres de aceite y grasa.** Las manos resbalosas no pueden controlar de modo seguro la herramienta mecánica.

**Desarrolle un programa de mantenimiento periódico de la herramienta. Cuando limpie una herramienta, tenga cuidado de no desmontar ninguna de sus partes, ya que los cables internos podrían reubicarse incorrectamente o pellizcarse, o los resortes de retorno de los protectores de seguridad podrían montarse incorrectamente.** Ciertos agentes de limpieza, tales como gasolina, tetracloruro de carbono, amoníaco, etc., podrían dañar las piezas de plástico.

**Asegúrese de que el interruptor esté en la posición de apagado antes de introducir el paquete de batería.** Si se introduce el paquete de batería en herramientas mecánicas que tengan el interruptor en la posición de encendido, se invita a que se produzcan accidentes.

**⚠ ADVERTENCIA** **Cierto polvo generado por el lijado, aserrado, amolado y taladrado mecánicos, y por otras actividades de construcción, contiene agentes químicos que se sabe que causan cáncer, defectos de nacimiento u otros daños sobre la reproducción. Algunos ejemplos de estos agentes químicos son:**

- Plomo de pinturas a base de plomo,
- Sílice cristalina de ladrillos y cemento y otros productos de mampostería, y
- Arsénico y cromo de madera tratada químicamente.








Su riesgo por causa de estas exposiciones varía, dependiendo de con cuánta frecuencia realice este tipo de trabajo. Para reducir su exposición a estos agentes químicos: trabaje en un área bien ventilada y trabaje con equipo de seguridad aprobado, como por ejemplo máscaras antipolvo que estén diseñadas especialmente para impedir mediante filtración el paso de partículas microscópicas.

### PIENSE EN LA SEGURIDAD

LA SEGURIDAD ES UNA COMBINACIÓN DE SENTIDO COMÚN Y ALERTA POR PARTE DEL OPERADOR EN TODO MOMENTO CUANDO SE ESTÉN USANDO HERRAMIENTAS ELÉCTRICAS.

## Símbolos

**IMPORTANTE:** Es posible que algunos de los símbolos siguientes se usen en su herramienta. Por favor, estúdielos y aprenda su significado. La interpretación adecuada de estos símbolos le permitirá utilizar la herramienta mejor y con más seguridad.

Símbolo	Désignación / Explicación
V	Volt (tensión)
A	Ampere (corriente)
Hz	Hertz (frecuencia, ciclos por segundo)
W	Watt (potencia)
kg	Kilogramo (peso)
min	Minuto (tiempo)
s	Segundo (tiempo)
∅	Diámetro (tamaño de las brocas taladradoras, muelas, etc)
$n_0$	Velocidad sin carga (velocidad rotacional sin carga)
n	Velocidad nominal (máxima velocidad obtenible)
.../min	Revoluciones o alternación por minuto (revoluciones, golpes, velocidad de superficie, órbitas, etc., por minuto)
0	Posición "off" (velocidad cero, par motor cero...)
1, 2, 3, ... I, II, III,	Graduaciones del selector (graduaciones de velocidad, par motor o posición. Un número más alto significa mayor velocidad)
	Selector infinitamente variable con apagado (la velocidad aumenta desde la graduación de 0)
	Flecha (Acción en la dirección de la flecha)
	Corriente alterna (tipo o una característica de corriente)
	Corriente continua (tipo o una característica de corriente)
	Corriente alterna o continua (tipo o una característica de corriente)
	Construcción de clase II (designa las herramientas de construcción con aislamiento doble)
	Terminal de toma de tierra (terminal de conexión a tierra)

## Símbolos (continuación)

**IMPORTANTE:** Es posible que algunos de los símbolos siguientes se usen en su herramienta. Por favor, estúdielos y aprenda su significado. La interpretación adecuada de estos símbolos le permitirá utilizar la herramienta mejor y con más seguridad.

Símbolo	Désignación/Explicación
	Designa el programa de reciclaje de baterías de Li-ion.
	Designa el programa de reciclaje de baterías de Ni-Cd.
	Alerta al usuario para que lea el manual.
	Alerta al usuario para que use protección de los ojos.
	Este símbolo indica que esta herramienta está catalogada por Underwriters Laboratories.
	Este símbolo indica que este componente está reconocido por Underwriters Laboratories.
	Este símbolo indica que Underwriters Laboratories ha catalogado esta herramienta indicando que cumple con las normas estadounidenses y canadienses.
	Este símbolo indica que esta herramienta está catalogada por la Canadian Standards Association.
	Este símbolo indica que la Canadian Standards Association ha catalogado esta herramienta indicando que cumple con las normas estadounidenses y canadienses.
	Este símbolo indica que Intertek Testing Services ha catalogado esta herramienta indicando que cumple con las normas estadounidenses y canadienses.
	
	Este símbolo indica que esta herramienta cumple con la norma mexicana oficial (NOM).

## Descripción funcional y especificaciones

**ADVERTENCIA** Desconecte el paquete de batería de la herramienta antes de realizar cualquier ensamblaje, ajuste o cambio de accesorios. Dichas medidas preventivas de seguridad reducen el riesgo de arrancar la herramienta accidentalmente.

### Taladros/destornilladores sin cordón y taladros de percusión sin cordón



NUMERO DE MODELO	GSR18V-490	GSB18V-490
Tensión nominal	18 V	18 V
Velocidad sin carga 1	$n_0$ 0-600/min	$n_0$ 0-600/min
Velocidad sin carga 2	$n_0$ 0-1 900/min	$n_0$ 0-1 900/min
Frecuencia de impactos	NA	0-22 000 GPM
<b>Capacidades máximas</b>		
Tamaño de mandril	13 mm	13 mm
Apriete de tornillos, tamaños	#16 x 76 mm	#16 x 76 mm
<b>Profundidad máxima de perforación</b>		
Taladrado en metal suave	13 mm	13 mm
Taladrado en madera dura	38 mm	38 mm
Taladrado en madera blanda	51 mm	51 mm
Taladrado en mampostería	NA	13 mm

**NOTA:** Para obtener las especificaciones de la herramienta, consulte la placa del fabricante colocada en la herramienta.

#### Paquetes de batería/Cargadores de baterías

Sírvase consultar el Manual de la batería/cargador que se incluye con su herramienta.



## Ensamblaje

**⚠ ADVERTENCIA** Desconecte el paquete de batería de la herramienta antes de realizar cualquier ensamblaje, ajuste o cambio de accesorios. Dichas medidas preventivas de seguridad reducen el riesgo de arrancar la herramienta accidentalmente.

### ► Introducción y suelta de paquete de baterías

Ponga la palanca de avance/inversión en la posición central (de apagado). Deslice el paquete de baterías cargado al interior de la carcasa hasta que dicho paquete se acople en su sitio (Fig. 2). La herramienta está equipada con un pestillo de fijación secundario para impedir que dicho paquete se caiga y salga

completamente del mango, en caso de que se afloje debido a la vibración.

Para quitar el paquete de baterías, oprima el botón de liberación del paquete de baterías y deslice dicho paquete hacia delante (Fig. 3).

Oprima de nuevo el botón de liberación del paquete de baterías y deslice dicho paquete completamente hacia afuera hasta sacarlo de la carcasa de la herramienta (Fig. 3).

FIG. 2

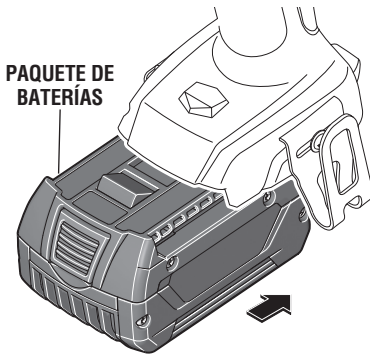
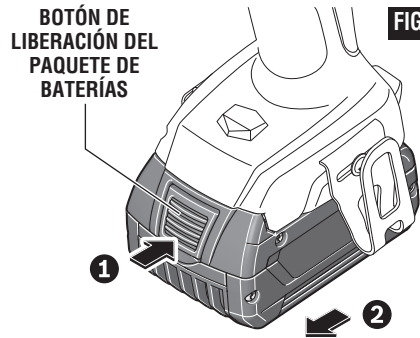


FIG. 3

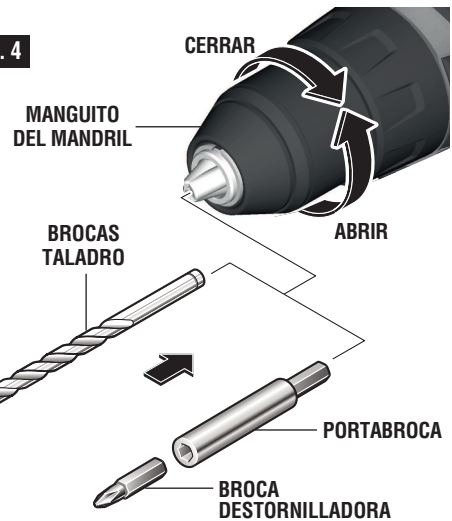


### ► Colocación de las brocas

**⚠ ADVERTENCIA** No use la potencia del taladro mientras agarra el mandril para aflojar o apretar la broca. Es posible que se produzcan quemaduras por fricción o lesiones en las manos si se intenta agarrar el mandril que gira.

Mueva la palanca del interruptor de inversión hacia la posición central "OFF" (desconectado). Retire el paquete de batería y rote el anillo del embrague (modelo GSR18V-490) o el anillo selector de modo (modelo GSB18V-490) hasta el símbolo de broca taladradora "🌀". Para abrir el mandril, rote el manguito del mandril en sentido contrario al de las agujas del reloj, según se ve desde el extremo del mandril, y abra el mandril hasta el diámetro aproximado de la broca taladradora. Introduzca un broca limpia hasta las estrías de la broca taladradora para brocas pequeñas o hasta donde se pueda para brocas grandes. Cierre el mandril girando el manguito del mandril en el sentido de las agujas del reloj y apriételo firmemente a mano (Fig. 4). Retorne el anillo del embrague o el anillo selector de modo a la posición deseada.

FIG. 4



### ► Clip de cinturón

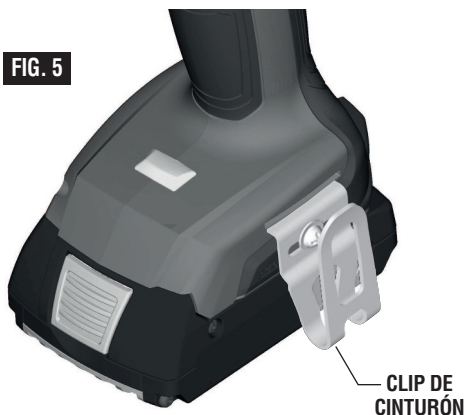
**⚠ ADVERTENCIA** Cuando la herramienta esté sujeta al cinturón, ubíquese de modo que evite enredarse con los objetos que estén alrededor. Un enredo inesperado podría hacer que la herramienta se caiga, causando lesiones al operador o a las personas que estén presentes.

El clip de cinturón opcional accesorio le permitirá sujetar convenientemente la herramienta a su cinturón. Este dispositivo le permitirá tener libres las dos manos cuando suba a una escalera de mano o se traslade a otra área de trabajo.

El clip de cinturón se puede sujetar a cualquiera de los dos lados de la herramienta fijándolo con un tornillo de montaje. Asegúrese siempre de apretar firmemente el tornillo de montaje antes de usar la herramienta (Fig. 5).

Para usar el clip, ponga la herramienta en posición invertida y sujétela a su cinturón.

FIG. 5



### ► Portapunta de broca 4x

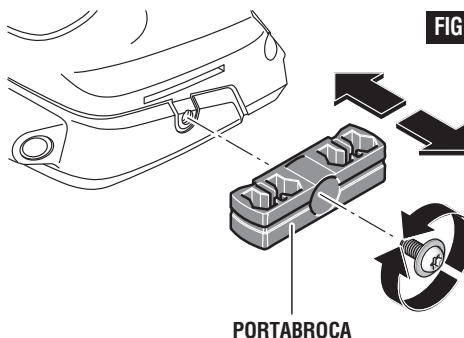
**⚠ ADVERTENCIA** Almacene solamente puntas de broca en el portabroca montado en la herramienta. Las brocas más largas podrían interferir con el funcionamiento apropiado de la herramienta y causar lesiones al usuario.

El portapunta de broca para cuatro piezas se puede utilizar para almacenar convenientemente en la herramienta las brocas que se usan más comúnmente.

Cuando monte el portabroca accesorio, móntelo en el lado del taladro opuesto al clip de cinturón.

Asegúrese siempre de apretar firmemente el tornillo de montaje antes de usar la herramienta (Fig. 6).

FIG. 6



## Instrucciones de funcionamiento

### ► Interruptor gatillo de velocidad variable controlada

La herramienta está provista de un interruptor gatillo de velocidad variable. La herramienta se puede encender (posición "ON") o apagar (posición "OFF") al apretar o soltar el gatillo. La velocidad se puede ajustar desde el valor mínimo hasta el máximo de las RPM nominales mediante la presión ejercida sobre el gatillo. Ejercer más presión para aumentar la velocidad y disminuir la presión para reducir la velocidad (Fig. 1).

### ► Palanca de avance/inversión y cierre del gatillo

**⚠ ADVERTENCIA** Después de utilizar la herramienta, fije el gatillo en la posición de apagado ("OFF") para ayudar a evitar los arranques accidentales y la descarga accidental de las baterías.

**⚠ PRECAUCIÓN** No cambie el sentido de giro hasta que la herramienta se haya detenido por completo. El cambio durante el giro del mandril puede causar daños a la herramienta.

La herramienta está equipada con una palanca de avance/inversión y un cierre del gatillo con ubicación encima del gatillo (Fig. 8). Esta palanca fue diseñada para invertir el sentido de rotación de la broca y para fijar el gatillo en la posición de apagado.

Para la rotación de "Avance" (con el mandril orientado en sentido opuesto a usted), mueva la palanca completamente hacia la izquierda (Fig. 8).

Para la rotación inversa, mueva la palanca completamente hacia la derecha (Fig. 9). Para activar el cierre del gatillo, mueva la palanca hasta la posición central "OFF".

FIG. 8

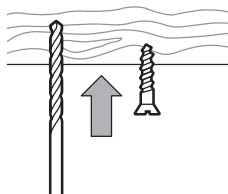
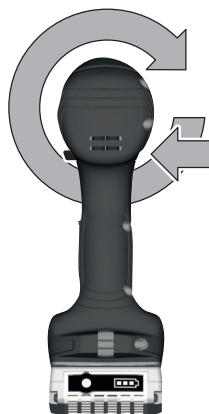
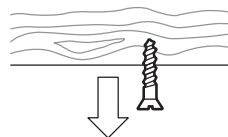
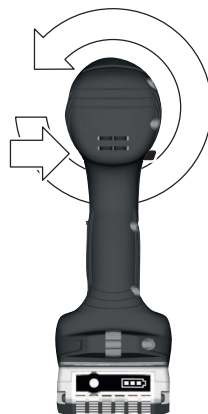


FIG. 9

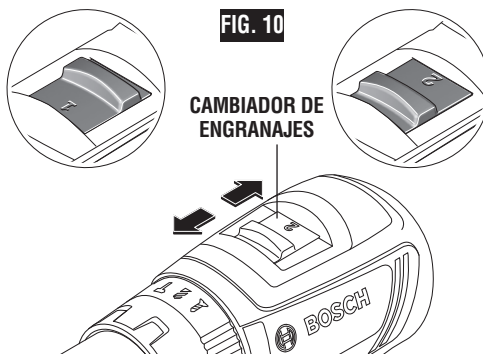


### ► Cambio de engranajes

La herramienta está equipada con dos intervalos distintos de engranajes, engranaje de baja velocidad y engranaje de alta velocidad. El engranaje de baja velocidad proporciona un par motor alto y velocidades de taladrado más lentas para trabajo pesado o para apretar tornillos. El engranaje de alta velocidad proporciona velocidades más rápidas para taladrar cuando se trata de trabajo más ligero. Para cambiar velocidades, deslice el conmutador hasta la posición alta o baja (Fig. 10).

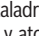
**ATENCIÓN:** Si parece que la herramienta está en marcha, pero el mandril no gira, asegúrese de que el interruptor de cambio de engranajes está empujado completamente hasta la posición deseada.

FIG. 10



CAMBIADOR DE ENGRANAJES

### ► Embrague ajustable

La herramienta cuenta con 20 posiciones de embrague. El par motor de salida aumentará a medida que la anilla del embrague sea girada del 1 al 20. La posición de taladro “” fijará el embrague para permitir el taladrado y atornillado de piezas que requieren trabajo pesado y también permite cambiar las brocas rápida y fácilmente en el mandril de apriete sin llave (Fig. 11).

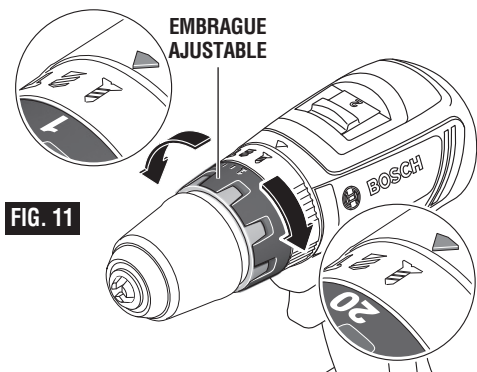


FIG. 11

### ► Freno

Cuando se suelta el interruptor gatillo, éste activa el freno para detener el mandril rápidamente. Esto es especialmente útil para apretar y remover tornillos repetidamente.

### ► Luz de trabajo led incorporada

Su herramienta también está equipada con una luz LED que se enciende automáticamente al activar el interruptor, para ofrecer mejor visibilidad al taladrar/atornillar (Fig. 1). La luz se apaga automáticamente poco después de soltar el gatillo. Usted puede ajustar este intervalo de tiempo utilizando la aplicación Bosch Tool Box. Consulte la sección “Conectividad”.

### ► Anillo selector de taladro / taladro de percusión (modelo GSB18V-535C solamente)

El anillo selector permite ajustar la herramienta para varias aplicaciones de taladrado y taladrado de percusión. Gire el dial selector hacia la derecha o hacia la izquierda, dependiendo de las aplicaciones que se indican a continuación (Fig. 12).

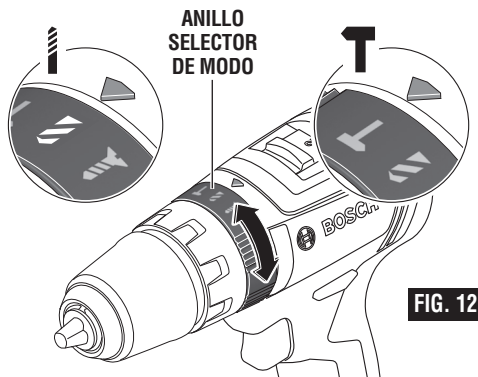


FIG. 12

Acción de taladro solamente: Para taladrar en maderas, metales, plásticos u otros materiales que no sean concreto.

Acción de taladro con percusión: Para taladrar en concreto, asfalto, loseta u otros materiales duros similares. La posición de taladro de percusión anula el embrague para taladrar.

### ► Protección contra sobrecargas de temperatura

Evite utilizar continuamente herramientas accionadas por batería durante períodos prolongados, mientras somete la herramienta a condiciones de sobrecarga, tales como taladrar con accesorios de diámetro grande en materiales duros. Es posible que la utilización de herramientas accionadas por batería sometidas a cargas extremas haga que la batería exceda su intervalo de temperatura de funcionamiento permisible. Cuando la batería exceda la temperatura de funcionamiento normal por causa de una sobrecarga, es posible que la velocidad de la herramienta se reduzca y que parezca que la herramienta pierde potencia. Para recuperar el rendimiento completo de la herramienta se debe dejar que la batería se enfríe hasta que la temperatura de funcionamiento regrese al nivel normal.

## Consejos de funcionamiento

### ► Apriete de tuercas y pernos

El control de velocidad variable se debe utilizar con precaución para apretar tuercas y pernos con accesorios del juego de tubos. La técnica consiste en empezar despacio, aumentando la velocidad a medida que la tuerca o el perno avanza. Coloque la tuerca o el perno de manera que encaje perfectamente mediante la disminución de la velocidad del taladro hasta que éste se detenga. Si no se sigue este procedimiento, la herramienta tendrá tendencia a experimentar un par motor o a torcerse en las manos cuando la tuerca o el perno se asiente en su sitio.

### ► Taladrado

Usted prolongará la vida de las brocas y realizará un trabajo mejor ejecutado si siempre pone la broca en contacto con la pieza de trabajo antes de apretar el gatillo. Durante el funcionamiento, sujete firmemente la herramienta y ejerza una presión ligera y uniforme. Una presión excesiva a baja velocidad hará que la herramienta se detenga. Una presión demasiado pequeña no permitirá que la broca corte y producirá un exceso de fricción al patinar sobre la superficie. Esto puede ser perjudicial tanto para la herramienta como para la broca.

### ► Taladrado con velocidad variable

El gatillo de velocidad variable le permite a usted aumentar las RPM lentamente. Mediante la utilización de una velocidad inicial lenta, usted puede evitar que la broca se desvíe. Puede aumentar la velocidad apretando el gatillo a medida que la broca se va introduciendo en la pieza de trabajo.

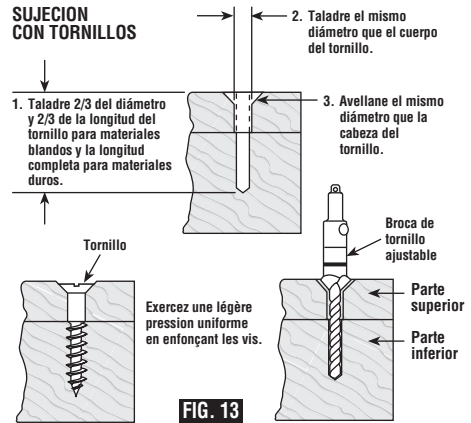
### ► Apriete de tornillos con velocidad variable

Los taladros de velocidad variable sirven también como destornillador eléctrico mediante el uso de una broca atornilladora. Antes de apretar tornillos se deberán taladrar agujeros piloto y de paso. Coloque el extremo roscado del tornillo en el agujero piloto o de paso y comience a apretar el tornillo lentamente, aumentando la velocidad a medida que el tornillo vaya penetrando. Apriete el tornillo hasta que quede perfectamente ajustado, reduciendo la velocidad hasta que el taladro se detenga.

### ► Sujecion con tornillos

El procedimiento mostrado en la Fig. 13 le permitirá sujetar materiales juntos utilizando su taladro sin desferrar, hendir ni separar el material.

Sujete primero las piezas con una o varias abrazaderas de manera que queden juntas y taladre el agujero con 2/3 del diámetro del tornillo. Si el material es blando, taladre solamente



2/3 de la longitud adecuada. Si el material es duro, taladre toda la longitud. Segundo, suelte la abrazadera o las abrazaderas que sujetan las piezas y taladre el agujero en la pieza de madera superior, de nuevo con el mismo diámetro que el vástago del tornillo.

Tercero, si se utiliza un tornillo de cabeza plana, avellane el agujero para hacer que el tornillo quede al ras con la superficie. Realinee los agujeros ubicados en las dos piezas y aplique una presión uniforme cuando apriete el tornillo. El agujero de paso para el vástago del tornillo ubicado en la primera pieza permite que la cabeza del tornillo jale las piezas hasta que estén juntas y firmemente apretadas.

El accesorio de broca de tornillo ajustable realizará todas estas operaciones rápida y fácilmente. Hay brocas de tornillo disponibles para tamaños de tornillo No. 6, 8, 10 y 12.

### ► Brocas para taladro

Inspeccione siempre las brocas para ver si se ha producido un desgaste excesivo. Utilice únicamente brocas que están afiladas y en buenas condiciones.

**BROCAS DE ESPIRAL:** Disponibles con cuerpos rectos y acortados para taladrado de madera y taladrado ligero de metal. Las brocas de alta velocidad cortan más rápido y duran más en materiales duros.

**BROCAS CON PUNTA DE CARBURO:** Utilizadas para taladrar piedra, hormigón, escayola, cemento y otros no metales extraordinariamente duros. Utilice una fuerte presión de avance continua cuando emplee brocas con punta de carburo.

### ► Taladrado de madera

Asegúrese de que la pieza de trabajo está fija o sujeta firmemente. Ejercer presión siempre en línea recta con la broca.

Mantenga una presión suficiente para que la broca continúe penetrando.

Al taladrar agujeros en madera, se pueden utilizar brocas de espiral. Las brocas de espiral pueden recalentarse a menos que se saquen con frecuencia para quitar las virutas de las estrias.

Utilice un bloque de madera de "refuerzo" para piezas de trabajo que es posible que se astillen, tales como materiales delgados.

Usted taladrará un agujero mejor hecho si disminuye la presión justo antes de que la broca atraviese la madera completamente. Luego, termine el agujero desde la parte posterior.

### ► Taladrado de metal

Hay dos reglas para taladrar materiales duros. Primero, cuanto más duro sea el material, mayor es la presión que usted necesita ejercer sobre la herramienta. Segundo, cuanto más duro sea el material, más lenta ha de ser la velocidad. He aquí unos cuantos consejos para taladrar metal. Lubrique la punta de la broca de

vez en cuando con aceite para cortar, excepto al taladrar metales blandos tales como aluminio, cobre o hierro fundido. Si el agujero que se va a taladrar es bastante grande, primero taladre un agujero más pequeño y luego agrándelo hasta el tamaño requerido; a la larga, esto suele ser más rápido. Mantenga suficiente presión para asegurar que la broca no se limita a dar vueltas sin avanzar dentro del agujero. Esto desafilará la broca y acortará mucho la vida de ésta.

### ► Taladrado de mampostería

Los materiales blandos tales como el ladrillo son relativamente fáciles de taladrar. Sin embargo, el hormigón requerirá mucha más presión para evitar que la broca dé vueltas sin avanzar. Asegúrese de utilizar brocas con punta de carburo para todo el trabajo de mampostería.

**⚠ ADVERTENCIA** Antes de utilizar un accesorio, asegúrese de que la velocidad especificada en la placa del fabricante de la herramienta no exceda la velocidad máxima de funcionamiento con seguridad de dicho accesorio. No exceda el diámetro de rueda recomendado.

### ► Lijado y pulido

El lijado fino y el pulido requieren "toque". Seleccione la velocidad más eficaz.

Al utilizar bonetes para pulir, asegúrese siempre de que el exceso de cordel que fija el bonete esté bien recogido dentro del bonete durante el funcionamiento.

### ► Escobillas de alambre

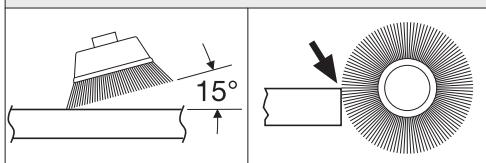
El trabajo con escobillas requiere altas velocidades.

### ► Presión de cepillado

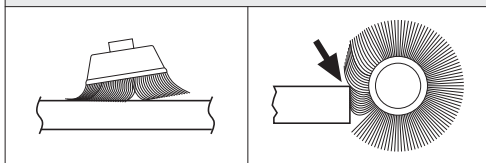
1. Deje que las puntas de un cepillo de alambre hagan el trabajo. Utilice el cepillo con la presión más ligera para que solamente las puntas del alambre entren en contacto con la pieza de trabajo.
2. Si se utilizan presiones más grandes, se someterá a los alambres a una tensión excesiva, lo cual dará como resultado una acción de barrido, y si se continúa haciendo esto, podrá acortarse la duración del cepillo debido a la fatiga del alambre.

3. Aplique el cepillo a la pieza de trabajo de manera que tanta cara del cepillo como sea posible esté en contacto completo con la pieza de trabajo. La aplicación del lado o del borde del cepillo a la pieza de trabajo causará la rotura del alambre y acortará la duración del cepillo.

**CORRECTO:** Las puntas de alambre hacen el trabajo.



**INCORRECTO:** Una presión excesiva puede causar la rotura del alambre.

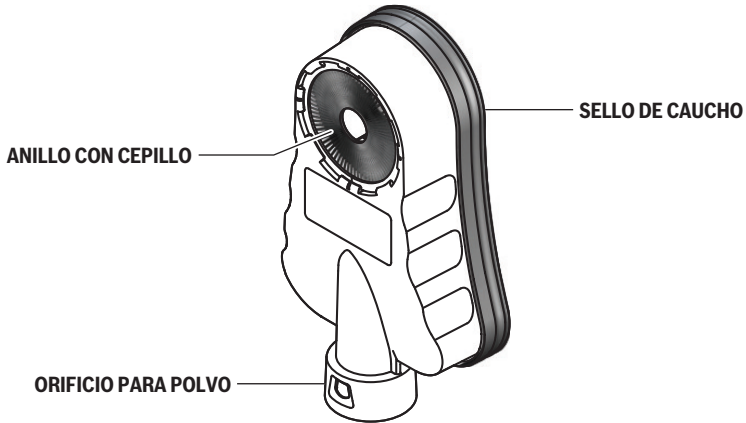


## Extracción de polvo

### Descripción funcional y especificaciones HDC200 (accesorio opcional)

**ADVERTENCIA** Para reducir el riesgo de lesiones, el usuario debe leer el manual de instrucciones para el uso de la herramienta con este aditamento.

FIG. 14



Capacidad de taladrado	
HDC200	
Optimizada	6 – 35mm (1/4" – 1-3/8")
Máxima	66.7mm (2-5/8") *
	* el anillo con cepillo se debe retirar para diámetros mayores de 35mm (1-3/8")

## Extracción de polvo

### Instrucciones de utilización HDC200

**⚠ ADVERTENCIA** Desconecte el enchufe de la fuente de energía antes de realizar cualquier ensamblaje o ajuste, o cambiar accesorios. Estas medidas de seguridad preventivas reducen el riesgo de arrancar la herramienta accidentalmente.

Los aditamento de extracción de polvo Bosch HDC200 están diseñados para utilizarse en aplicaciones de taladrado en materiales de tipo concreto y mampostería.

El HDC200 está optimizado para utilizarse con diámetros de broca taladradora de 1/4 de pulgada a 1-3/8 pulgadas. El diámetro máximo de la broca es de 2-5/8 pulgadas (el anillo con cepillo se debe retirar para diámetros mayores de 1-3/8 pulgadas).

Inserte la manguera del extractor de polvo procedente del extractor de polvo en el orificio para polvo de la unidad de extracción de polvo (Fig. 15).

La manguera del extractor de polvo Bosch viene con una boquilla de manguito sujeta a un conector de ajuste a presión. La boquilla de manguito proporciona la conexión más rápida y más fácil de la boquilla al aditamento. El conector de ajuste a presión brinda una conexión más segura. Para utilizar el conector de ajuste a presión, retire la

boquilla de caucho de la manguera del extractor de polvo. Presione el conector de ajuste a presión hacia el interior del orificio para polvo hasta que oiga un clic.

También hay disponibles adaptadores de orificio para polvo con el fin de conectar el aditamento de extracción de polvo Bosch a cualquier manguera de extractor de polvo de tamaño común. Visite [Boschtools.com](http://Boschtools.com) para obtener detalles.

Encienda el extractor de polvo y coloque el aditamento en la pared (o el piso), sobre la ubicación de taladrado deseada, de manera que el centro del agujero se alinee con el centro de la abertura ubicada en el anillo con cepillo. Nota: La succión procedente del extractor de polvo sujetará el aditamento en la posición deseada sobre la superficie de trabajo. Coloque la broca taladradora a través de la abertura ubicada en el anillo con cepillo en la ubicación de taladrado deseada y taladre el agujero deseado (Fig. 16). Siga todas las instrucciones de seguridad y utilización de la herramienta.

**Nota:** Para obtener los mejores resultados, deje que la herramienta siga funcionando incluso cuando esté sacando la broca del agujero. La combinación de la aspiración con el movimiento giratorio de la broca ayuda a sacar la mayor parte del polvo del agujero.

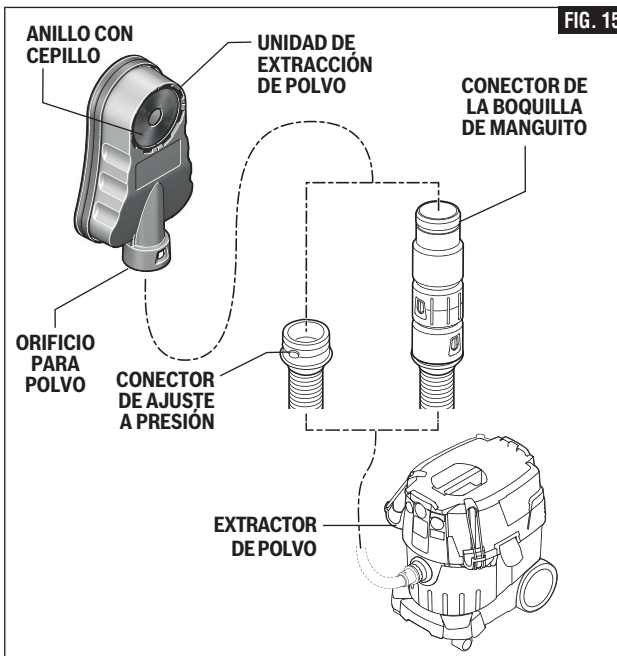


FIG. 15

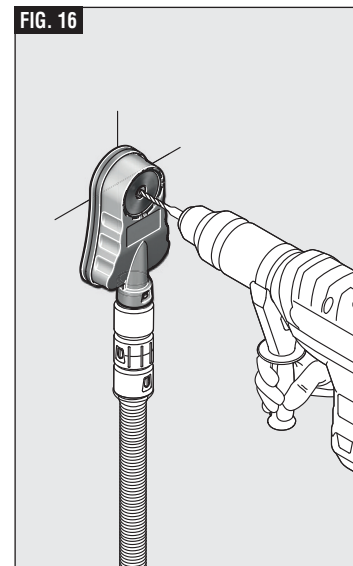


FIG. 16



## Mantenimiento

**⚠ ADVERTENCIA** Para evitar accidentes, desconecte siempre la herramienta y/o el cargador de la fuente de energía antes de la limpieza.

### ► Servicio

**⚠ ADVERTENCIA** **NO HAY PIEZAS EN EL INTERIOR QUE PUEDAN SER AJUSTADAS O REPARADAS POR EL USUARIO. El mantenimiento preventivo realizado por personal no autorizado puede dar lugar a la colocación incorrecta de cables y componentes internos que podría constituir un peligro serio.** Recomendamos que todo el servicio de las herramientas sea realizado en un Centro de servicio de fábrica Bosch o en una Estación de servicio Bosch autorizada.

### ► Baterías

**Esté alerta a los paquetes de baterías que estén aproximándose al final de su vida útil.** Si observa una disminución del rendimiento de la herramienta o un tiempo de funcionamiento significativamente más corto entre cargas, entonces ha llegado el momento de cambiar el paquete de baterías. Si no se hace esto, el resultado puede ser que la herramienta funcione incorrectamente o que el cargador se dañe.

### ► Lubricación de las herramientas

Su herramienta Bosch ha sido lubricada adecuadamente y está lista para la utilización.

### ► Motores “corriente directa”

El motor de la herramienta ha sido diseñado para muchas horas de servicio fiable. Para mantener un rendimiento óptimo del motor, recomendamos que éste sea examinado cada seis meses. Sólo se debe usar un motor de repuesto Bosch genuino diseñado especialmente para la herramienta.

### ► Limpieza

**⚠ PRECAUCIÓN** **Ciertos agentes de limpieza y disolventes dañan las piezas de plástico.** Algunos de estos son: gasolina, tetracloruro de carbono, disolventes de limpieza clorados, amoníaco y detergentes domésticos que contienen amoníaco.

Las aberturas de ventilación y las palancas de interruptor deben mantenerse limpias y libres de materias extrañas. No intente limpiar introduciendo objetos puntiagudos a través de las aberturas.

## Accesorios

**⚠ ADVERTENCIA** **No utilice aditamentos/accesorios que no sean los especificados por Bosch.** Es posible que el uso de aditamentos/accesorios no especificados para utilizarse con la herramienta descrita en este manual cause daños a la herramienta, daños materiales y/o lesiones corporales.

**Notes / Remarques / Notas**

**Notes / Remarques / Notas**

**LIMITED WARRANTY OF BOSCH PORTABLE AND BENCHTOP POWER TOOLS**

Robert Bosch Tool Corporation ("Seller") warrants to the original purchaser only, that all BOSCH portable and benchtop power tools will be free from defects in material or workmanship for a period of one year from date of purchase. SELLER'S SOLE OBLIGATION AND YOUR EXCLUSIVE REMEDY under this Limited Warranty and, to the extent permitted by law, any warranty or condition implied by law, shall be the repair or replacement of parts, without charge, which are defective in material or workmanship and which have not been misused, carelessly handled, or misrepaired by persons other than Seller or Authorized Service Station. To make a claim under this Limited Warranty, you must return the complete portable or benchtop power tool product, transportation prepaid, to any BOSCH Factory Service Center or Authorized Service Station. For Authorized BOSCH Power Tool Service Stations, please refer to your phone directory.

THIS LIMITED WARRANTY DOES NOT APPLY TO ACCESSORY ITEMS SUCH AS CIRCULAR SAW BLADES, DRILL BITS, ROUTER BITS, JIGSAW BLADES, SANDING BELTS, GRINDING WHEELS AND OTHER RELATED ITEMS.

ANY IMPLIED WARRANTIES SHALL BE LIMITED IN DURATION TO ONE YEAR FROM DATE OF PURCHASE. SOME STATES IN THE U.S., SOME CANADIAN PROVINCES DO NOT ALLOW LIMITATIONS ON HOW LONG AN IMPLIED WARRANTY LASTS, SO THE ABOVE LIMITATION MAY NOT APPLY TO YOU.

IN NO EVENT SHALL SELLER BE LIABLE FOR ANY INCIDENTAL OR CONSEQUENTIAL DAMAGES (INCLUDING BUT NOT LIMITED TO LIABILITY FOR LOSS OF PROFITS) ARISING FROM THE SALE OR USE OF THIS PRODUCT. SOME STATES IN THE U.S. AND SOME CANADIAN PROVINCES DO NOT ALLOW THE EXCLUSION OR LIMITATION OF INCIDENTAL OR CONSEQUENTIAL DAMAGES, SO THE ABOVE LIMITATION OR EXCLUSION MAY NOT APPLY TO YOU.

THIS LIMITED WARRANTY GIVES YOU SPECIFIC LEGAL RIGHTS, AND YOU MAY ALSO HAVE OTHER RIGHTS WHICH VARY FROM STATE TO STATE IN THE U.S., PROVINCE TO PROVINCE IN CANADA AND FROM COUNTRY TO COUNTRY.

THIS LIMITED WARRANTY APPLIES ONLY TO PORTABLE AND BENCHTOP ELECTRIC TOOLS SOLD WITHIN THE UNITED STATES OF AMERICA, CANADA AND THE COMMONWEALTH OF PUERTO RICO. FOR WARRANTY COVERAGE WITHIN OTHER COUNTRIES, CONTACT YOUR LOCAL BOSCH DEALER OR IMPORTER.

**GARANTIE LIMITÉE DES OUTILS ÉLECTRIQUES PORTATIFS ET D'ÉTABLI BOSCH**

Robert Bosch Tool Corporation (le « vendeur ») garantit à l'acheteur initial seulement que tous les outils électriques portatifs et d'établi BOSCH seront exempts de vices de matériaux ou d'exécution pendant une période d'un an depuis la date d'achat. LA SEULE OBLIGATION DU VENDEUR ET LE SEUL RECOURS DE L'ACHETEUR sous la présente garantie limitée, et en autant que la loi le permette sous toute garantie ou condition implicite qui en découlerait, sera l'obligation de remplacer ou réparer gratuitement les pièces défectueuses matériellement ou comme fabrication, pourvu que lesdites déficiences ne soient pas attribuables à un usage abusif ou à quelque réparation bricolée par quelqu'un d'autre que le vendeur ou le personnel d'une station-service agréée. Pour présenter une réclamation en vertu de cette garantie limitée, vous devez renvoyer l'outil électrique portatif ou d'établi complet, port payé, à tout centre de service agréé ou centre de service usine. Veuillez consulter votre annuaire téléphonique pour les adresses.

LA PRÉSENTE GARANTIE NE S'APPLIQUE PAS AUX ACCESSOIRES TELS QUE LAMES DE SCIÉS CIRCULAIRES, MÊCHES DE PERCEUSES, FERS DE TOUPIES, LAMES DE SCIÉS SAUTEUSES, COURROIES DE PONÇAGE, MEULES ET AUTRES ARTICLES DU GENRE.

TOUTE GARANTIE IMPLICITE SERA LIMITÉE COMME DURÉE À UN AN À COMPTER DE LA DATE D'ACHAT. CERTAINS ÉTATS AMÉRICAINS, CERTAINES PROVINCES CANADIENNES N'ADMETTANT PAS LE PRINCIPE DE LA LIMITATION DE LA DURÉE DES GARANTIES IMPLICITES, IL EST POSSIBLE QUE LES LIMITATIONS CI-DESSUS NE S'APPLIQUENT PAS À VOTRE CAS.

EN AUCUN CAS LE VENDEUR NE SAURAIT ÊTRE TENU POUR RESPONSABLE DES INCIDENTS OU DOMMAGES INDIRECTS (INCLUANT, MAIS NE SE LIMITANT PAS AUX PERTES DE PROFITS) CONSÉCUTIFS À LA VENTE OU L'USAGE DE CE PRODUIT. CERTAINS ÉTATS AMÉRICAINS ET CERTAINES PROVINCES CANADIENNES N'ADMETTANT PAS LE PRINCIPE DE LA LIMITATION NI L'EXCLUSION DES DOMMAGES INDIRECTS ET CONSÉQUENTIELS, IL EST POSSIBLE QUE LES LIMITATIONS OU EXCLUSIONS CI-DESSUS NE S'APPLIQUENT PAS À VOTRE CAS.

LA PRÉSENTE GARANTIE VOUS ACCORDE DES DROITS BIEN DÉTERMINÉS, Y COMPRIS POSSIBLEMENT CERTAINS DROITS VARIABLES DANS LES DIFFÉRENTS ÉTATS AMÉRICAINS, PROVINCES CANADIENNES ET DE PAYS À PAYS.

CETTE GARANTIE LIMITÉE NE S'APPLIQUE QU'AUX OUTILS ÉLECTRIQUES PORTATIFS ET D'ÉTABLI VENDUS AUX ÉTATS-UNIS D'AMÉRIQUE, AU CANADA ET AU COMMONWEALTH DE PORTO RICO. POUR COUVERTURE DE GARANTIE DANS LES AUTRES PAYS, CONTACTEZ VOTRE IMPORTATEUR OU REVENDEUR BOSCH LOCAL.

**GARANTIA LIMITADA PARA HERRAMIENTAS MECANICAS PORTATILES Y PARA TABLERO DE BANCO BOSCH**

Robert Bosch Tool Corporation (el Vendedor) garantiza, únicamente al comprador original, que todas las herramientas mecánicas portátiles y para tablero de banco BOSCH estarán libres de defectos de material o de fabricación durante un período de un año a partir de la fecha de compra. LA ÚNICA OBLIGACION DEL VENDEADOR Y EL RECURSO EXCLUSIVO QUE USTED TIENE bajo esta Garantía Limitada y, hasta donde la ley lo permita, bajo cualquier garantía o condición implícita por ley, consistirá en la reparación o sustitución sin costo de las piezas que presenten defectos de material o de fabricación y que no hayan sido utilizadas incorrectamente, manejadas descuidadamente o reparadas incorrectamente por personas que no sean el Vendedor o una Estación de servicio autorizada. Para efectuar una reclamación bajo esta Garantía Limitada, usted debe devolver el producto, que consiste en la herramienta mecánica portátil o para tablero de banco completa, con el transporte pagado, a cualquier Centro de servicio de fábrica o Estación de servicio autorizada. Para Estaciones de servicio autorizadas de herramientas mecánicas BOSCH, por favor, consulte el directorio telefónico.

ESTA GARANTIA LIMITADA NO SE APLICA A ARTICULOS ACCESORIOS TALES COMO HOJAS PARA SIERRAS CIRCULARES, BROCAS PARA TALADROS, BROCAS PARA FRESADORAS, HOJAS PARA SIERRAS DE VAIVEN, CORREAS PARA LIJAR, RUEDAS DE AMOLAR Y OTROS ARTICULOS RELACIONADOS.

TODAS LAS GARANTIAS IMPLICITAS TENDRAN UNA DURACION LIMITADA A UN AÑO A PARTIR DE LA FECHA DE COMPRA. ALGUNOS ESTADOS DE LOS EE.UU. Y ALGUNAS PROVINCIAS CANADIENSES NO PERMITEN LIMITACIONES EN CUANTO A LA DURACION DE UNA GARANTIA IMPLICITA, POR LO QUE ES POSIBLE QUE LA LIMITACION ANTERIOR NO SEA APLICABLE EN EL CASO DE USTED.

EL VENDEADOR NO SERA RESPONSABLE EN NINGUN CASO DE NINGUN DAÑO INCIDENTAL O EMERGENTE (INCLUYENDO PERO NO LIMITADO A RESPONSABILIDAD POR PERDIDA DE BENEFICIOS) QUE SE PRODUZCA COMO CONSECUENCIA DE LA VENTA O UTILIZACION DE ESTE PRODUCTO. ALGUNOS ESTADOS DE LOS EE.UU. Y ALGUNAS PROVINCIAS CANADIENSES NO PERMITEN LA EXCLUSION O LIMITACION DE LOS DAÑOS INCIDENTALES O EMERGENTES, POR LO QUE ES POSIBLE QUE LA LIMITACION O EXCLUSION ANTERIOR NO SEA APLICABLE EN EL CASO DE USTED.

ESTA GARANTIA LIMITADA LE CONFIERE A USTED DERECHOS LEGALES ESPECIFICOS Y ES POSIBLE QUE USTED TAMBIEN TENGA OTROS DERECHOS QUE VARIAN DE ESTADO A ESTADO EN LOS EE.UU., DE PROVINCIA A PROVINCIA EN CANADA Y DE UN PAIS A OTRO.

ESTA GARANTIA LIMITADA SE APLICA SOLAMENTE A HERRAMIENTAS ELECTRICAS PORTATILES Y PARA TABLERO DE BANCO VENDIDAS EN LOS ESTADOS UNIDOS DE AMERICA, CANADA Y EL ESTADO LIBRE ASOCIADO DE PUERTO RICO. PARA COBERTURA DE GARANTIA EN OTROS PAISES, PONGASE EN CONTACTO CON SU DISTRIBUIDOR O IMPORTADOR LOCAL DE BOSCH.

© Robert Bosch Tool Corporation 1800 W. Central Road Mt. Prospect, IL 60056-2230

Exportado por: Robert Bosch Tool Corporation Mt. Prospect, IL 60056-2230, E.U.A.

Importado en México por: Robert Bosch, S.A. de C.V., Calle Robert Bosch No. 405, Zona Industrial, Toluca, Edo. de México, C.P. 50070, Tel. (722) 2792300



2 6 1 0 0 5 2 9 9 8