

IMPORTANT
Read Before Using

IMPORTANT
Lire avant usage

IMPORTANTE
Leer antes de usar



Operating / Safety Instructions
Consignes d'utilisation/de sécurité
Instrucciones de funcionamiento y seguridad

GAL12V-20



BOSCH

Call Toll Free for Consumer Information & Service Locations

Pour obtenir des informations et les adresses de nos centres de service après-vente, appelez ce numéro gratuit

Llame gratis para obtener información para el consumidor y ubicaciones de servicio

1-877-BOSCH99 (1-877-267-2499) www.boschtools.com





For English Version
See page 2

Version française
Voir page 7

Versión en español
Ver la página 12

Safety Symbols

The definitions below describe the level of severity for each signal word. Please read the manual and pay attention to these symbols.

	<p>This is the safety alert symbol. It is used to alert you to potential personal injury hazards. Obey all safety messages that follow this symbol to avoid possible injury or death.</p>
	<p>DANGER indicates a hazardous situation which, if not avoided, will result in death or serious injury.</p>
	<p>WARNING indicates a hazardous situation which, if not avoided, could result in death or serious injury.</p>
	<p>CAUTION, used with the safety alert symbol, indicates a hazardous situation which, if not avoided, will result in minor or moderate injury.</p>

WARNING Read all instructions. Failure to follow all instructions listed below, may result in electric shock, fire and/or serious personal injury.

IMPORTANT SAFETY AND OPERATING INSTRUCTIONS SAVE THESE INSTRUCTIONS

Charger Safety Rules

- This manual contains instructions for battery charger model GAL12V-20.** Do not substitute any other charger.
- Before using battery charger, read all instructions and cautionary markings on (1) battery charger, (2) battery pack, and (3) product using battery.**
- Charge only Bosch rechargeable batteries listed on page 5.** Other types of batteries may burst causing personal injury and damage.
- Charge battery pack in temperatures above +32 degrees F (0 degrees C) and below +113 degrees F (45 degrees C). Store tool and battery pack in locations where temperatures will not exceed 120 degrees F (49 degrees C).** This is important to prevent serious damage to the battery cells.
- Do not recharge battery in damp or wet environment. Do not expose charger to rain or snow.** Water entering battery charger may result in electric shock or fire.
- Battery leakage may occur under extreme usage or temperature conditions. Avoid contact with skin and eyes.** The battery liquid is caustic and could cause chemical burns to tissues. If liquid comes in contact with skin, wash quickly with soap and water. If the liquid contacts your eyes, flush them with water for a minimum of 10 minutes and seek medical attention.
- Place charger on flat nonflammable surfaces and away from flammable materials when recharging battery pack.** Carpeting and other heat insulating surfaces block proper air circulation which may cause overheating of the charger and battery pack. If smoke or melting of the charger or battery pack is observed, unplug the charger immediately and do not use the battery pack or charger. Contact customer service immediately.
- Make sure cord is located so that it will not be stepped on, tripped over, or otherwise subjected to damage or stress.** Damaged plug and cord may result in electric shock or fire.
- Disconnect the charger by pulling the plug rather than the cord. Do not operate charger with damaged cord or plug; have them replaced immediately.** Damaged plug or cord may result in electric shock or fire.
- Do not insert battery pack in charger if battery pack case is cracked.** Using damaged battery pack may result in electric shock or fire.
- Do not disassemble charger or operate the**

charger if it has received a sharp blow, been dropped or otherwise damaged in anyway. Incorrect reassembly or damage may result in electric shock or fire.

12. **Before each use, check the battery charger, cable and plug. If damage is detected, do not use the battery charger. Never open the battery charger yourself, take it to a Bosch Factory Service Center, or qualified serviceman only using original replacement parts.** Incorrect reassembly may result in electric shock or fire.

13. **Do not use attachments not recommended or sold by Bosch.** Using attachments not recommended may result in electric shock or fire.

14. **Do not store battery pack in charger.** Battery pack stored in charger over a long period of time could lead to battery pack damage and fire.

15. **Unplug charger from outlet before storage, attempting any maintenance or cleaning.** Such preventive safety measures reduce the risk of electric shock or fire.

16. **Keep the battery charger clean by blowing compressed air on charger vents and wiping the charger housing with a damp cloth.** Contamination may result in electric shock or fire.

17. **Replace battery pack if a substantial drop in operating time per charge is observed.** Battery pack may be nearing the end of its life.

Battery Care

⚠ WARNING When batteries are not in tool or charger, keep them away from metal objects. For example, to protect terminals from shorting **DO NOT** place batteries in

a tool box or pocket with nails, screws, keys, etc. Fire or injury may result.

DO NOT PUT BATTERIES INTO FIRE OR EXPOSE TO HIGH HEAT. They may explode.

Battery Disposal

⚠ WARNING Do not attempt to disassemble the battery or remove any component projecting from the battery terminals. Fire or injury may result. Prior to disposal, protect exposed terminals with heavy insulating tape to prevent shorting.

Lithium-ion Batteries

If equipped with a lithium-ion battery, the battery must be collected, recycled or disposed of in an environmentally sound manner.



“The EPA certified RBRC Battery Recycling Seal on the lithium-ion (Li-ion) battery indicates Robert Bosch Tool Corporation is voluntarily participating in an

industry program to collect and recycle these batteries at the end of their useful life, when taken out of service in the United States or Canada. The RBRC program provides a convenient alternative to placing used Li-ion batteries into the trash or the municipal waste stream, which may be illegal in your area.

Please call 1-800-8-BATTERY for information on Li-ion battery recycling and disposal bans/restrictions in your area, or return your batteries to a Bosch Service Center for recycling. Robert Bosch Tool Corporation’s involvement in this program is part of our commitment to preserving our environment and conserving our natural resources.”

Extension Cords

⚠ WARNING AN EXTENSION CORD SHOULD NOT BE USED UNLESS ABSOLUTELY NECESSARY. Use of improper extension cord could result in risk of fire and electrical shock. If an extension cord is used, make sure:

- a. The pins on plug of extension cord are the same number, size, and shape as those of plug on charger.
- b. The extension cord is properly wired and in good electrical condition.

c. The wire size is large enough for AC ampere rating of charger as specified below:

d. An extension cord is a temporary solution. Move the charger to a standard receptacle as soon as the job has been completed.

Length of Cord, Feet	25	50	100	150
AWG Size of Cord	18	16	16	14

Important Charging Notes

1. The charger was designed to fast charge the battery only when the battery temperature is between 32°F (0°C) and 113°F (45°C). If the battery pack is too hot or too cold, the charger will not begin charging the battery. (This may happen if the battery pack is hot from heavy use). Once the battery temperature returns to its safe charging temperature, between 32°F (0°C) and 113°F (45°C), the charger will automatically begin charging.
2. A substantial drop in operating time per charge may mean that the battery pack is nearing the end of its life and should be replaced.
3. Remember to unplug charger during storage period.
4. If battery does not charge properly:

a. Check for voltage at outlet by plugging in some other electrical device.

b. Check to see if outlet is connected to a light switch which turns power “off” when lights are turned off.

c. Check battery pack terminals and charger connectors for dirt. Clean with cotton swab and alcohol if necessary.

d. If you still do not get proper charging, take or send tool, battery pack and charger to your local Bosch Service Center. See “Tools, Electric” in the Yellow Pages for names and addresses.

Note: Use of chargers or battery packs not sold by Bosch will void the warranty.

FCC Caution:

The manufacturer is not responsible for radio interference caused by unauthorized modifications to this equipment. Such modifications could void the user’s authority to operate the equipment.

This device complies with Part 15 of the FCC Rules. Operation is subject to the following two conditions:

- 1) This device may not cause harmful interference, and
- 2) This device must accept any interference received, including interference that may cause undesired operation.

NOTE! This equipment has been tested and found to comply with the limits for a Class B digital devices, pursuant to Part 15 of the FCC rules. These limits are designed to provide reasonable protection against harmful interference in a residential installation. This equipment generates uses and can radiate radio

frequency energy and, if not installed and used in accordance with the instructions, may cause harmful interference to radio communications. However, there is no guarantee that interference will not occur in a particular installation. If this equipment does cause harmful interference to radio or television reception, which can be determined by turning the equipment off and on, the user is encouraged to try to correct the interference by one or more of the following measures:

- Reorient or relocate the receiving antenna.
- Increase the separation between the equipment and receiver.
- Connect the equipment into an outlet on a circuit different from that to which the receiver is connected.
- Consult the dealer or an experienced radio/TV technician for help.

SAVE THESE INSTRUCTIONS

Electronic Cell Protection (ECP)

The lithium ion battery is protected against deep discharging by the “Electronic Cell Protection (ECP)”. When the battery is empty, the tool is switched off by means of a protective circuit.

The battery is supplied partially charged. Completely charge the battery before using your cordless screwdriver for the first time. The lithium ion battery can be charged at any time, without reducing its service life. Interrupting the charging procedure does not damage the battery.

Functional Description and Specifications

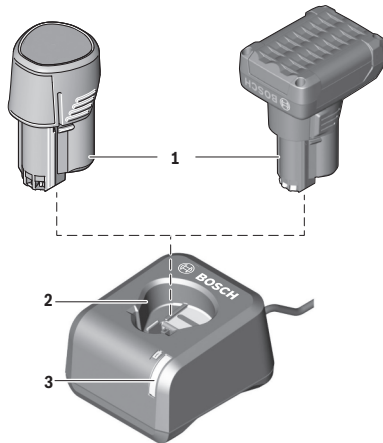


FIG. 1

- 1 Battery
- 2 Charger
- 3 Green indicator light

Charger input voltage	120 V~ 60 Hz
Battery Charging current	2.0A

Bosch batteries	Approximate charging time to capacity	
	80%	100%
12V 2.0Ah	50 min	65 min
12V 3.0Ah	70 min	95 min
12V 4.0Ah	100 min	130 min
12V 6.0Ah	145 min	185 min

⚠ WARNING This charger will only charge the following batteries:

Bosch BAT411 – BAT425;
Bosch GBA12V00 – GBA12V99

For most up to date battery compatibility, please refer to www.boschtools.com

Charging Battery Pack

Plug charger cord into your standard power outlet, then insert battery pack 1 into charger 2.

The charger’s green indicator light 3 will begin to “BLINK”. This indicates that the battery is receiving a fast charge. Fast-charging will automatically stop when the battery pack is fully charged.

When the indicator light stops “BLINKING” (and becomes a steady green light) fast charging is complete.

The battery pack may be used even though the light may still be blinking. The light may require more time to stop blinking depending on temperature. When you begin the charging

process of the battery pack, a steady green light could also mean the battery pack is too hot or too cold.

The purpose of the green light is to indicate that the battery pack is fast-charging. It does not indicate the exact point of full charge. The light will stop blinking in less time if the battery pack was not completely discharged.

When the battery pack is fully charged, unplug the charger (unless you’re charging another battery pack) and slip the battery pack back into the tool.

LIMITED WARRANTY OF BOSCH PORTABLE AND BENCHTOP POWER TOOLS

Robert Bosch Tool Corporation ("Seller") warrants to the original purchaser only, that all BOSCH portable and benchtop power tools will be free from defects in material or workmanship for a period of one year from date of purchase. SELLER'S SOLE OBLIGATION AND YOUR EXCLUSIVE REMEDY under this Limited Warranty and, to the extent permitted by law, any warranty or condition implied by law, shall be the repair or replacement of parts, without charge, which are defective in material or workmanship and which have not been misused, carelessly handled, or misrepaired by persons other than Seller or Authorized Service Station. To make a claim under this Limited Warranty, you must return the complete portable or benchtop power tool product, transportation prepaid, to any BOSCH Factory Service Center or Authorized Service Station. For Authorized BOSCH Power Tool Service Stations, please refer to your phone directory.

THIS LIMITED WARRANTY DOES NOT APPLY TO ACCESSORY ITEMS SUCH AS CIRCULAR SAW BLADES, DRILL BITS, ROUTER BITS, JIGSAW BLADES, SANDING BELTS, GRINDING WHEELS AND OTHER RELATED ITEMS.

ANY IMPLIED WARRANTIES SHALL BE LIMITED IN DURATION TO ONE YEAR FROM DATE OF PURCHASE. SOME STATES IN THE U.S., SOME CANADIAN PROVINCES DO NOT ALLOW LIMITATIONS ON HOW LONG AN IMPLIED WARRANTY LASTS, SO THE ABOVE LIMITATION MAY NOT APPLY TO YOU.





IN NO EVENT SHALL SELLER BE LIABLE FOR ANY INCIDENTAL OR CONSEQUENTIAL DAMAGES (INCLUDING BUT NOT LIMITED TO LIABILITY FOR LOSS OF PROFITS) ARISING FROM THE SALE OR USE OF THIS PRODUCT. SOME STATES IN THE U.S. AND SOME CANADIAN PROVINCES DO NOT ALLOW THE EXCLUSION OR LIMITATION OF INCIDENTAL OR CONSEQUENTIAL DAMAGES, SO THE ABOVE LIMITATION OR EXCLUSION MAY NOT APPLY TO YOU.

THIS LIMITED WARRANTY GIVES YOU SPECIFIC LEGAL RIGHTS, AND YOU MAY ALSO HAVE OTHER RIGHTS WHICH VARY FROM STATE TO STATE IN THE U.S., PROVINCE TO PROVINCE IN CANADA AND FROM COUNTRY TO COUNTRY.

THIS LIMITED WARRANTY APPLIES ONLY TO PORTABLE AND BENCHTOP ELECTRIC TOOLS SOLD WITHIN THE UNITED STATES OF AMERICA, CANADA AND THE COMMONWEALTH OF PUERTO RICO. FOR WARRANTY COVERAGE WITHIN OTHER COUNTRIES, CONTACT YOUR LOCAL BOSCH DEALER OR IMPORTER.

Symboles relatifs à la sécurité

Les définitions ci-dessous décrivent le niveau de gravité pour chaque terme signalant un danger. Veuillez lire le mode d'emploi et lire la signification de ces symboles.

	<p>C'est le symbole d'alerte relatif à la sécurité. Il est utilisé pour vous avertir de l'existence possible d'un danger de lésion corporelle. Obéissez à tous les messages relatifs à la sécurité qui suivent ce symbole pour éviter tout risque de blessure ou même de mort.</p>
	<p>DANGER indique une situation dangereuse qui, si elle n'est pas évitée, causera la mort d'une personne ou une blessure grave.</p>
	<p>AVERTISSEMENT indique une situation dangereuse qui, si elle n'est pas évitée, pourrait causer la mort d'une personne ou une blessure grave.</p>
	<p>MISE EN GARDE, conjointement avec le symbole d'alerte en liaison avec la sécurité, indique une situation dangereuse qui, si elle n'est pas évitée, causera une blessure légère ou modérée.</p>

AVERTISSEMENT Vous devez lire toutes les instructions. Le non-respect, même partiel, des instructions ci-après entraîne un risque de choc électrique, d'incendie et/ou de blessures graves.

IMPORTANTES CONSIGNES DE SÉCURITÉ ET DE FONCTIONNEMENT « CONSERVEZ CES INSTRUCTIONS »

Consignes de sécurité applicables aux chargeurs

- Ce manuel contient des instructions pour le chargeur de piles modèle GAL12V-20.** Ne lui substituez aucun autre chargeur.
- Avant d'utiliser le chargeur de piles, lisez toutes les instructions et toutes les mises en garde figurant sur (1) le chargeur de piles, (2) le bloc-piles et (3) le produit utilisant les piles.**
- Chargez uniquement des piles rechargeables Bosch indiquées à la page 9.** D'autres types de piles risqueraient d'éclater et de causer ainsi des blessures et des dommages.
- Chargez le bloc-piles à des températures supérieures à +32 degrés F (0 degré C) et inférieures à +113 degrés F (45 degrés C).** Rangez l'outil et le bloc-piles à des endroits dont la température ne dépassera pas 120 degrés F (49 degrés C). Ceci est important pour ne pas risquer de causer des dommages graves aux cellules des piles.
- Ne rechargez pas les piles dans un environnement humide ou mouillé. N'exposez pas le chargeur à la pluie ou à la neige.** La pénétration d'eau dans le chargeur de piles risquerait de causer un choc électrique ou un incendie.
- Il peut y avoir une fuite de pile dans des conditions extrêmes d'utilisation ou de température. Évitez tout contact avec la peau et les yeux.** Le liquide de pile est caustique et pourrait causer des brûlures chimiques aux tissus. Si le liquide vient en contact avec la peau, lavez rapidement à l'eau savonneuse. Si le liquide vient en contact avec les yeux, rincez-les à l'eau pendant au moins 10 minutes et sollicitez des soins médicaux.
- Placez le chargeur sur des surfaces plates et non inflammables, et à distance de tous matériaux inflammables, lorsque vous rechargez le bloc-piles.** De la moquette et d'autres surfaces thermiquement isolantes bloquent une circulation appropriée de l'air, ce qui pourrait causer une surchauffe du chargeur et du bloc-piles. Si vous observez de la fumée ou si vous voyez que le chargeur ou le bloc-piles commence à fondre, débranchez immédiatement le chargeur et ne vous servez plus du chargeur ou du bloc-piles. Contactez immédiatement le service à la clientèle.
- Assurez-vous que le cordon est placé à un endroit où il ne sera pas piétiné, ou il ne fera trébucher personne et où il ne sera pas exposé par ailleurs à des dommages ou à des contraintes.** Une fiche et un cordon endommagés pourraient causer un choc électrique ou un incendie.
- Débranchez le chargeur en tirant sur la fiche et non sur le cordon. N'utilisez pas un chargeur dont le cordon ou la fiche est endommagé ; faites-les remplacer immédiatement.** Une fiche ou un cordon endommagé pourrait causer un choc électrique ou un incendie.
- N'insérez pas de bloc-piles dans le chargeur si le boîtier du bloc-piles est fissuré.** L'utilisation d'un bloc-piles endommagé pourrait causer un choc électrique ou un incendie.
- Ne démontez pas le chargeur et ne l'utilisez pas s'il a**

reçu un impact violent, s'il est tombé ou s'il a été endommagé par ailleurs d'une quelconque autre façon. Un réassemblage incorrect ou un endommagement pourrait causer un choc électrique ou un incendie.

12. Inspectez le chargeur de piles, le câble et la fiche avant chaque emploi. Si vous constatez un dommage quelconque, n'utilisez pas le chargeur de piles. N'ouvrez jamais le chargeur de piles vous-même ; apportez-le dans un centre de service usine Bosch ou chez un réparateur qualifié n'utilisant que des pièces de rechange d'origine. Un réassemblage incorrect pourrait causer un choc électrique ou un incendie.

13. N'utilisez pas d'accessoire qui n'est pas recommandé ou vendu par Bosch. L'utilisation d'accessoires non recommandés pourrait causer un choc électrique ou un incendie.

14. Ne rangez pas le chargeur avec un bloc-piles à l'intérieur. Le stockage d'un bloc-piles à l'intérieur d'un chargeur pendant

une période prolongée pourrait endommager le bloc-piles et risquerait même de causer un incendie.

15. **Débranchez le chargeur de la prise de courant avant de le ranger, d'effectuer une opération de maintenance ou de réparation, ou de le nettoyer.** De telles mesures préventives en matière de sécurité réduisent le risque de choc électrique ou d'incendie.

16. **Gardez le chargeur de piles propre en soufflant de l'air comprimé sur les événements du chargeur et en essuyant le boîtier du chargeur avec un tissu humide.** Tout contamination pourrait causer un choc électrique ou un incendie.

17. **Remplacez le bloc-piles si vous constatez une baisse substantielle de l'autonomie de fonctionnement après les recharges.** Cela signifie peut-être que le bloc-piles s'approche de la fin de sa vie utile.

Entretien des piles

AVERTISSEMENT Lorsque les piles ne sont pas dans l'outil ou le chargeur, gardez-les à l'écart d'objets métalliques. Ainsi, pour éviter un court-circuitage des bornes, NE

PLACEZ PAS les piles dans la boîte à outils ou dans la poche avec des clous, des vis, des clés, etc. Ceci peut provoquer un incendie ou des blessures.

NE METTEZ PAS LES PILES AU FEU ET NE LES EXPOSEZ PAS À UNE CHALEUR ÉLEVÉE. Elles peuvent exploser.

Mise au rebut des piles

AVERTISSEMENT Ne tentez pas de désassembler le bloc-piles ou d'enlever tout composant faisant saillie des bornes de piles, ce qui peut provoquer un incendie ou des blessures. Avant la mise au rebut, protégez les bornes exposées à l'aide d'un ruban isolant épais pour prévenir le court-circuitage.

Piles lithium-ion

Si le produit est équipé d'une pile lithium-ion, la pile doit être ramassée, recyclée ou mise au rebut d'une manière qui ne soit pas nocive pour l'environnement.



“Le sceau RBRC de recyclage des piles, homologué par l'EPA (Agence pour la protection de l'environnement des États-Unis), qui se trouve sur les piles au

lithium-ion (Li-ion) indique que Robert Bosch Tool Corporation participe volontairement à un programme industriel de ramassage et de recyclage de ces piles au terme de leur vie utile, pourvu qu'elles soient mises hors service aux États-Unis ou au Canada. Le programme du RBRC offre une alternative pratique à la mise des piles au Li-ion usées au rebut ou au ramassage d'ordures municipal, ce qui pourrait être interdit dans votre région.

Veillez appeler le 1-800-8-BATTERY pour obtenir de plus amples renseignements sur le recyclage des piles au Li-ion et sur les restrictions ou interdictions de mise au rebut qui s'appliquent à votre région ou renvoyez vos piles à un Centre de Service Bosch pour recyclage. La participation de Robert Bosch Tool Corporation à ce programme s'insère dans le contexte de notre engagement à préserver notre environnement et à conserver nos ressources naturelles.”

Cordons de rallonge

AVERTISSEMENT UN CORDON DE RALLONGE NE DOIT ÊTRE UTILISÉ QUE S'IL EST ABSOLUMENT NÉCESSAIRE.

L'utilisation d'un cordon de rallonge inapproprié peut créer un risque d'incendie et de chocs électriques. Si un cordon de rallonge doit être utilisé, assurez-vous que :

a. la fiche du cordon de rallonge possède des broches de nombre, dimensions et forme identiques à ceux de la fiche du chargeur ;

b. le cordon de rallonge est bien câblé et en bon état électrique ;

c. le fil est de calibre suffisant pour l'intensité nominale en c.a. du chargeur, comme indiqué ci-après ;

d. un cordon de rallonge constitue une solution temporaire. Déplacez le chargeur à une prise standard dès que le travail est terminé.

longueur du fil, en pieds	25	50	100	150
Calibre AWG du fil	18	16	16	14

Remarques importantes concernant la charge

1. De même, le chargeur n'est destiné qu'à la charge rapide des bloc-piles dont la température se situe entre 0°C (32°F) et 45°C (113°F). Si le bloc-piles est trop chaud ou trop froid, le chargeur ne commencera pas à charger les piles. (Chose possible si le bloc-piles devient trop chaud à l'usage intensif). Une fois que la température des piles sera revenue dans la plage de températures de charge ne présentant pas de danger, à savoir entre 32° F (0° C) et 113° F (45° C), le chargeur commencera automatiquement à les charger.
2. Une diminution marquée de la réserve énergétique entre les charges peut signaler l'épuisement du bloc-piles et le besoin d'un remplacement.
3. N'oubliez pas de débrancher le chargeur durant la période de remisage.
4. Si le bloc-piles ne se charge pas normale-ment :
 - a. Vérifiez la présence de courant à la prise en y branchant un autre appareil électrique.
 - b. Vérifiez si la prise n'est pas raccordée conjointement à un interrupteur qui servirait à éteindre les lumières.
 - c. Inspectez les bornes du bloc-piles et les connecteurs du chargeur pour vous assurer qu'ils ne sont pas sales. Nettoyez avec un coton-tige et de l'alcool si nécessaire.
 - d. Si vous n'arrivez toujours pas à obtenir la charge satisfaisante, confiez l'outil, le bloc-piles et le chargeur à votre centre d'entretien Bosch habituel. Voir les noms et adresses des centres d'entretien sous la rubrique « Outils électriques » dans les pages jaunes de l'annuaire de téléphone.

Remarque : L'utilisation de chargeurs ou de bloc-piles non vendus par Bosch annule la garantie.

Mise en garde de la FCC :

Le fabricant n'est pas responsable des perturbations radioélectriques causées par des modifications non autorisées de ce matériel. De telles modifications pourraient annuler le droit de l'utilisateur de se servir de ce matériel.

Cet appareil est conforme à la Partie 15 des Règles de la FCC. Son exploitation est sujette au respect de deux conditions :

- 1) Cet appareil ne risque pas de causer des interférences nuisibles ; et
- 2) Cet appareil doit accepter toutes les interférences reçues, y compris les interférences qui peuvent causer un fonctionnement indésirable.

REMARQUE : ce matériel a été testé et il a été démontré qu'il respecte les limites fixées pour un appareil numérique de Classe B, conformément à la Partie 15 des Règles de la FCC. Ces limites sont conçues de manière à assurer une protection raisonnable contre les perturbations nuisibles dans une installation résidentielle. Ce matériel produit, utilise et peut rayonner de l'énergie de fréquence radioélectrique et, s'il n'est pas installé et utilisé conformément aux instructions, il risque de causer des

perturbations nuisibles aux communications radio. Cependant, il n'est pas possible de garantir qu'aucune perturbation ne résultera d'une installation particulière. Si ce matériel cause des perturbations radioélectriques nuisibles affectant la réception de la radio ou de la télévision – ce qui peut être déterminé en mettant ce matériel sous tension et hors tension – l'utilisateur devrait essayer de remédier à de telles perturbations en prenant une ou plusieurs des mesures suivantes :

- Changer l'orientation de l'antenne de réception ou la placer à un autre endroit.
- Augmenter la distance entre le matériel et le récepteur.
- Brancher le matériel dans une prise de courant faisant partie d'un circuit différent de celui auquel le récepteur est connecté.
- Consulter le revendeur ou un technicien radio/télévision expérimenté pour obtenir de l'aide.

CONSERVEZ CES INSTRUCTIONS

Système ECP (Electronic Cell Protection)

La pile lithium-ion est protégée contre les décharges profondes par un système ECP (Electronic Cell Protection). Lorsque la pile est vide, l'outil est mis automatiquement hors service au moyen d'un circuit de protection.

La pile est fournie partiellement chargée. Chargez complètement la pile avant d'utiliser votre tournevis sans

fil pour la première fois. La pile lithium-ion peut être chargée à tout moment sans réduire sa durée de vie utile. L'interruption de la procédure de charge n'endommage pas la pile.

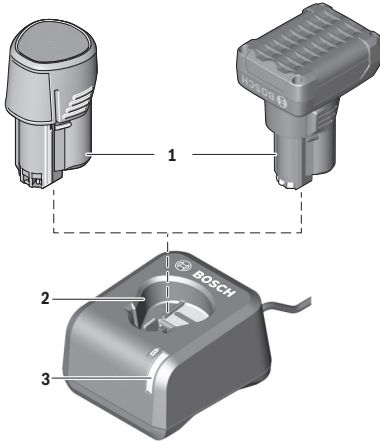


FIG. 1

- 1 Bloc-piles
- 2 Chargeur
- 3 Voyant vert

Tension d'entrée du chargeur	120 V ~ 60 Hz
Courant de charge des piles	2.0A

Piles Bosch	Durée de charge approximative jusqu'à capacité	
	80%	100%
12V 2.0Ah	50 min	65 min
12V 3.0Ah	70 min	95 min
12V 4.0Ah	100 min	130 min
12V 6.0Ah	145 min	185 min

⚠ AVERTISSEMENT Ce chargeur chargera uniquement les piles

suivantes :

Bosch BAT411 – BAT425;

Bosch GBA12V00 – GBA12V99

Pour les toutes dernières informations sur la compatibilité des piles, veuillez vous référer à www.boschtools.com

Charge du bloc-piles

Branchez le cordon du chargeur dans votre prise de courant standard, insérez ensuite le bloc-piles **1** dans le chargeur **2**.

Le témoin vert du chargeur **3** commencera à CLIGNOTER, ce qui indique que la pile reçoit une charge rapide. La charge rapide s'arrêtera automatiquement lorsque le bloc-piles est à pleine charge.

Lorsque le témoin lumineux cesse de clignoter (et devient vert en continu), ceci signifie que la charge rapide est terminée.

On peut utiliser le bloc-piles même si le témoin clignote encore. Il peut falloir plus de temps pour que le témoin cesse de clignoter, suivant la température. Lorsque vous

commencez le processus de charge du bloc-piles, un témoin vert continu pourrait également signifier que le bloc-piles est trop chaud ou trop froid.

Le témoin vert a pour but d'indiquer que le bloc-piles est en charge rapide. Il n'indique pas le point exact de pleine charge. Le témoin cessera de clignoter en moins de temps si le bloc-piles n'était pas entièrement déchargé.

Lorsque le bloc-piles est entièrement chargé, débranchez le chargeur (à moins que vous ne chargiez un autre bloc-piles) et insérez le bloc-piles dans l'outil.

GARANTIE LIMITÉE DES OUTILS ÉLECTRIQUES PORTATIFS ET D'ÉTABLI BOSCH

Robert Bosch Tool Corporation (le « vendeur ») garantit à l'acheteur initial seulement que tous les outils électriques portatifs et d'établi BOSCH seront exempts de vices de matériaux ou d'exécution pendant une période d'un an depuis la date d'achat. LA SEULE OBLIGATION DU VENDEUR ET LE SEUL RECOURS DE L'ACHETEUR sous la présente garantie limitée, et en autant que la loi le permette sous toute garantie ou condition implicite qui en découlerait, sera l'obligation de remplacer ou réparer gratuitement les pièces défectueuses matériellement ou comme fabrication, pourvu que lesdites déficiences ne soient pas attribuables à un usage abusif ou à quelque réparation bricolée par quelqu'un d'autre que le vendeur ou le personnel d'une station-service agréée. Pour présenter une réclamation en vertu de cette garantie limitée, vous devez renvoyer l'outil électrique portatif ou d'établi complet, port payé, à tout centre de service agréé ou centre de service usine. Veuillez consulter votre annuaire téléphonique pour les adresses.

LA PRÉSENTE GARANTIE NE S'APPLIQUE PAS AUX ACCESSOIRES TELS QUE LAMES DE SCIES CIRCULAIRES, MÈCHES DE PERCEUSES, FERS DE TOUPIES, LAMES DE SCIES SAUTEUSES, COURROIES DE PONÇAGE, MEULES ET AUTRES ARTICLES DU GENRE.

TOUTE GARANTIE IMPLICITE SERA LIMITÉE COMME DURÉE À UN AN À COMPTER DE LA DATE D'ACHAT. CERTAINS ÉTATS AMÉRICAINS, CERTAINES PROVINCES CANADIENNES N'ADMETTANT PAS LE PRINCIPE DE LA LIMITATION DE LA DURÉE DES GARANTIES IMPLICITES, IL EST POSSIBLE QUE LES LIMITATIONS CI-DESSUS NE S'APPLIQUENT PAS À VOTRE CAS.





EN AUCUN CAS LE VENDEUR NE SAURAIT ÊTRE TENU POUR RESPONSABLE DES INCIDENTS OU DOMMAGES INDIRECTS (INCLUANT, MAIS NE SE LIMITANT PAS AUX PERTES DE PROFITS) CONSÉCUTIFS À LA VENTE OU L'USAGE DE CE PRODUIT. CERTAINS ÉTATS AMÉRICAINS ET CERTAINES PROVINCES CANADIENNES N'ADMETTANT PAS LE PRINCIPE DE LA LIMITATION NI L'EXCLUSION DES DOMMAGES INDIRECTS ET CONSÉQUENTIELS, IL EST POSSIBLE QUE LES LIMITATIONS OU EXCLUSIONS CI-DESSUS NE S'APPLIQUENT PAS À VOTRE CAS.

LA PRÉSENTE GARANTIE VOUS ACCORDE DES DROITS BIEN DÉTERMINÉS, Y COMPRIS POSSIBLEMENT CERTAINS DROITS VARIABLES DANS LES DIFFÉRENTS ÉTATS AMÉRICAINS, PROVINCES CANADIENNE ET DE PAYS À PAYS.

CETTE GARANTIE LIMITÉE NE S'APPLIQUE QU'AUX OUTILS ÉLECTRIQUES PORTATIFS ET D'ÉTABLI VENDUS AUX ÉTATS-UNIS D'AMÉRIQUE, AU CANADA ET AU COMMONWEALTH DE PORTO RICO. POUR COUVERTURE DE GARANTIE DANS LES AUTRES PAYS, CONTACTEZ VOTRE IMPORTATEUR OU REVENDEUR BOSCH LOCAL.

Símbolos de seguridad

Las definiciones que aparecen a continuación describen el nivel de gravedad de cada palabra de señal de seguridad. Por favor, lea el manual y preste atención a estos símbolos.

	<p>Éste es el símbolo de alerta de seguridad. Se utiliza para alertarle a usted de posibles peligros de lesiones corporales. Obedezca todos los mensajes de seguridad que sigan a este símbolo para evitar posibles lesiones o muerte.</p>
	<p>PELIGRO indica una situación peligrosa que, si no se evita, causará la muerte o lesiones graves.</p>
	<p>ADVERTENCIA indica una situación peligrosa que, si no se evita, podría causar la muerte o lesiones graves.</p>
	<p>PRECAUCIÓN, cuando se utiliza con el símbolo de alerta de seguridad, indica una situación peligrosa que, si no se evita, causará lesiones leves o moderadas.</p>

ADVERTENCIA Lea todas las instrucciones. El incumplimiento de todas las instrucciones indicadas a continuación puede dar lugar a sacudidas eléctricas, incendios y/o lesiones personales graves.

INSTRUCCIONES DE SEGURIDAD Y DE FUNCIONAMIENTO IMPORTANTES “CONSERVE ESTAS INSTRUCCIONES”

Normas de seguridad para cargadores

- Este manual contiene instrucciones para el cargador de baterías modelo GAL12V-20. No lo sustituya por ningún otro cargador.
- Antes de utilizar el cargador de baterías, lea todas las instrucciones e indicaciones de precaución que se encuentran en (1) el cargador de baterías, (2) el paquete de batería y (3) el producto que utiliza baterías.
- Cargue solamente las baterías recargables Bosch que se indican en la página 13. Otros tipos de baterías pueden reventar, causando lesiones corporales y daños.
- Cargue el paquete de batería a temperaturas por encima de +32 grados F (0 grados C) y por debajo de +113 grados F (45 grados C). Almacene la herramienta y el paquete de batería en lugares en los que las temperaturas no excedan 120 grados F (49 grados C). Esto es importante para prevenir daños graves a las celdas de la batería.
- No recargue la batería en un ambiente húmedo o mojado. No exponga el cargador ni a la lluvia ni a la nieve. La entrada de agua en el cargador de baterías puede causar descargas eléctricas o incendio.
- Se puede producir un escape del líquido de las baterías bajo condiciones extremas de uso o de temperatura. Evite el contacto con la piel y los ojos. El líquido de la batería es cáustico y podría causar quemaduras químicas en los tejidos. Si el líquido entra en contacto con la piel, lávela rápidamente con agua y jabón. Si el líquido entra en contacto con los ojos, enjuáguelos con agua durante un mínimo de 10 minutos y obtenga atención médica.
- Coloque el cargador sobre superficies planas ininflamables y alejado de materiales inflamables cuando recargue el paquete de batería. Las alfombras y otras superficies termoaislantes bloquean la circulación apropiada de aire, lo cual puede causar sobrecalentamiento del cargador y del paquete de batería. Si se observa humo o derretimiento del cargador o del paquete de batería, desenchufe inmediatamente el cargador y no utilice el paquete de batería ni el cargador. Contacte inmediatamente a servicio al cliente.
- Asegúrese de que el cable de alimentación esté ubicado de manera que no se pueda pisar ni tropezar en él, ni que pueda sufrir daños ni someterse a esfuerzo excesivo de alguna otra manera. El enchufe y el cable de alimentación dañados pueden causar descargas eléctricas o incendio.
- Desconecte el cargador jalando el enchufe en lugar de jalando el cable de alimentación. No utilice el cargador con el cable de alimentación o el enchufe dañado; haga que reemplacen el cable o el enchufe de inmediato. Un enchufe o un cable de alimentación dañado puede causar descargas eléctricas o incendio.
- No inserte el paquete de batería en el cargador si la carcasa del paquete de batería está agrietada. La utilización de un paquete de batería dañado puede causar

descargas eléctricas o incendio.

11. **No desensamble el cargador ni lo utilice si ha recibido un golpe fuerte, se ha caído o se ha dañado de alguna otra manera.** Un reensamblaje incorrecto o los daños pueden causar descargas eléctricas o incendio.

12. **Antes de cada uso, compruebe el cargador de baterías, el cable y el enchufe. Si se detecta algún daño, no use el cargador de baterías. No abra nunca usted mismo el cargador de baterías, llévelo a un Centro de Servicio de Fábrica Bosch o a un técnico de servicio calificado que utilice únicamente piezas de repuesto originales.** Un reensamblaje incorrecto puede causar descargas eléctricas o incendio.

13. **No utilice un aditamento no recomendado o no vendido por Bosch.** La utilización de aditamentos no recomendados puede causar descargas eléctricas o incendio.

14. **No almacene el paquete de batería en el cargador.** El paquete de batería almacenado en el cargador durante un período de tiempo prolongado podría causar daños al paquete de batería e incendio del mismo.

15. **Desenchufe el cargador del tomacorriente antes de almacenarlo, intentar cualquier mantenimiento o limpiarlo.** Dichas medidas preventivas de seguridad reducen el riesgo de descargas eléctricas o incendio.

16. **Mantenga limpio el cargador de baterías soplando aire comprimido en las aberturas de ventilación del cargador y limpiando la carcasa del cargador con un paño húmedo.** La contaminación puede causar descargas eléctricas o incendio.

17. **Reemplace el paquete de batería si se observa un descenso sustancial del tiempo de funcionamiento por carga.** Es posible que el paquete de batería se esté acercando al final de su vida útil.

Cuidado de las baterías

⚠ ADVERTENCIA Cuando las baterías no están en la herramienta o en el cargador, manténgalas alejadas de objetos metálicos. Por ejemplo, para evitar que las terminales

hagan cortocircuito, **NO** ponga las baterías en una caja de herramientas o en un bolsillo con clavos, tornillos, llaves, etc. Se pueden producir un incendio o lesiones.

NO ARROJE LAS BATERIAS AL FUEGO NI LAS EXPONGA AL CALOR INTENSO. Pueden explotar.

Eliminación de las baterías

⚠ ADVERTENCIA No intente desarmar la batería ni quitar ninguno de los componentes que sobresalen de las terminales de la batería. Se pueden producir lesiones o un incendio. Antes de tirarla, proteja las terminales que están al descubierto con cinta adhesiva aislante gruesa para prevenir cortocircuitos.

que Robert Bosch Tool Corporation está participando voluntariamente en un programa de la industria para recoger y reciclar estas baterías al final de su vida útil, cuando se retiran de servicio en los Estados Unidos y Canadá. El programa RBRC proporciona una alternativa conveniente a tirar las baterías de Li-ion usadas a la basura o a la corriente municipal de aguas residuales, lo cual quizás sea ilegal en su área.

Baterías de iones de litio

Si este producto está equipado con una batería de iones de litio, dicha batería debe recogerse, reciclarse o eliminarse de manera segura para el medio ambiente.



“El sello de reciclaje de baterías RBRC certificado por la EPA que se encuentra en la batería de iones de litio (Li-ion) indica

Tenga la amabilidad de llamar al 1-800-8-BATTERY para obtener información acerca de las prohibiciones/restricciones sobre el reciclaje y la eliminación de baterías de Li-ion en su lugar o devuelva las baterías a un Centro de servicio Bosch para reciclarlas. La participación de Robert Bosch Tool Corporation en este programa es parte de nuestro compromiso hacia preservar nuestro medio ambiente y conservar nuestros recursos naturales.”

Cordones de extensión

⚠ ADVERTENCIA **NO SE DEBE UTILIZAR UN CORDON DE EXTENSION A NO SER QUE SEA ABSOLUTAMENTE NECESARIO.** La utilización de un cordón de extensión inapropiado podría dar lugar a peligro de incendio y sacudidas eléctricas. Si se debe utilizar un cordón de extensión, asegúrese de que:

a. Las terminales del enchufe del cordón de extensión tengan el mismo número, tamaño y forma que las del enchufe del cargador.

b. El cordón de extensión esté conectado adecuadamente y en buenas condiciones eléctricas.

c. El tamaño del cable sea suficientemente grande para la capacidad nominal en amperios AC del cargador según se especifica a continuación:

d. Un cordón de extensión es una solución provisional. Lleve el cargador a un tomacorriente estándar en cuanto se haya terminado el trabajo.

Longitud del cordón, pies:	25	50	100	150
Tamaño del cordón según el calibre americano de alambres (AWG)	18	16	16	14

Notas importantes para cargar

1. El cargador fue diseñado para cargar la batería rápidamente sólo cuando la temperatura de la batería está entre 0°C (32°F) y 45°C (113°F). Si el paquete de baterías está demasiado caliente o demasiado frío, el cargador no cargará rápidamente la batería. (Esto puede ocurrir si el paquete de baterías está caliente debido a una utilización intensa). Una vez que la temperatura de la batería regresa a su intervalo de carga segura, entre 32 °F (0 °C) y 113 °F (45 °C), el cargador comenzará automáticamente a cargar.
 - a. Compruebe que hay tensión en el tomacorriente enchufando algún otro dispositivo eléctrico.
 - b. Compruebe si el tomacorriente está conectado a un interruptor de luz que corta el suministro de energía cuando se apagan las luces.
 - c. Compruebe los terminales del paquete de batería y los conectores del cargador para determinar si tienen suciedad. Si es necesario, límpielos con un bastoncillo de algodón y alcohol.
 - d. Si usted sigue sin obtener una carga adecuada, lleve o envíe la herramienta, el paquete de baterías y el cargador al Centro de servicio Bosch local. Busque bajo "Herramientas eléctricas" en las páginas amarillas para obtener nombres y direcciones.
2. Un descenso considerable en el tiempo de funcionamiento por carga puede significar que el paquete de baterías se está acercando al final de su vida y que debe ser sustituido.
3. Recuerde desenchufar el cargador durante el período de almacenamiento.
4. Si la batería no carga adecuadamente:

Nota: La utilización de cargadores o paquetes de batería no vendidos por Bosch anulará la garantía.

Aviso de precaución de la FCC:

El fabricante no es responsable de la radiointerferencia causada por las modificaciones no autorizadas que se realicen en este equipo. Dichas modificaciones podrían anular la autoridad del usuario para utilizar el equipo.

Este dispositivo cumple con la Parte 15 de las Reglas de la FCC. El funcionamiento está sujeto a las dos condiciones siguientes:

- 1) Este dispositivo no puede causar interferencias nocivas y
- 2) Este dispositivo debe aceptar cualquier interferencia recibida, incluyendo interferencia que pueda causar un funcionamiento no deseado.

NOTA: Este equipo ha sido sometido a pruebas y se ha comprobado que cumple con los límites para un dispositivo digital de Clase B, conforme a la parte 15 de las Normas de la FCC. Estos límites están diseñados para proporcionar protección razonable contra la interferencia perjudicial en una instalación residencial. Este equipo

genera, usa y puede irradiar energía de radiofrecuencia y, si no se instala y utiliza de acuerdo con las instrucciones, puede causar interferencia perjudicial para las radiocomunicaciones. Sin embargo, no hay garantía de que no vaya a ocurrir interferencia en una instalación específica. Si este equipo causa interferencia perjudicial para la recepción de radio o televisión, lo cual se puede determinar apagando y encendiendo el equipo, se recomienda al usuario que intente corregir la interferencia tomando una o más de las medidas siguientes:

- Reoriente o reubique la antena receptora.
- Aumente la separación entre el equipo y el receptor.
- Conecte el equipo a un tomacorriente que esté en un circuito distinto al circuito al que el receptor esté conectado.
- Consulte al distribuidor o a un técnico experto en radio/TV para obtener ayuda.

CONSERVE ESTAS INSTRUCCIONES

“Protección con células electrónicas” (Electronic Cell Protection, ECP)

La batería de iones de litio está protegida contra la descarga profunda por la “protección con células electrónicas” (Electronic Cell Protection, ECP). Cuando la batería esté vacía, la herramienta se apagará por medio de un circuito protector.

La batería se suministra parcialmente cargada. Cargue completamente la batería antes de utilizar la atornillador inalámbrico por primera vez. La batería de iones de litio se puede cargar en cualquier momento, sin reducir su vida de servicio. La interrupción del procedimiento de carga no daña la batería.

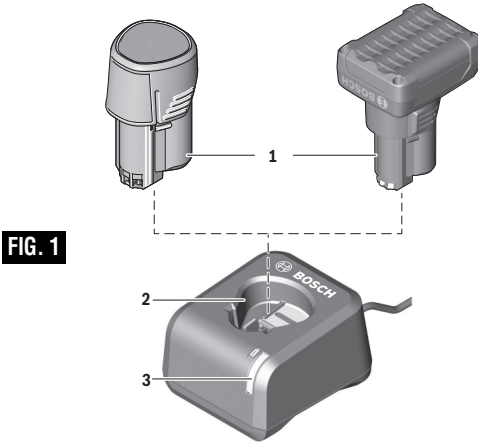


FIG. 1

- 1 Paquete de baterías
- 2 Cargador
- 3 Luz verde

Tensión de entrada del cargador	120 V ~ 60 Hz
Corriente de carga de la batería	2.0A

Baterías Bosch	Tiempo de carga aproximado hasta la capacidad máxima	
	80%	100%
12V 2.0Ah	50 min	65 min
12V 3.0Ah	70 min	95 min
12V 4.0Ah	100 min	130 min
12V 6.0Ah	145 min	185 min

⚠ ADVERTENCIA Este cargador cargará solamente las baterías siguientes:

Bosch BAT411 – BAT425;

Bosch GBA12V00 – GBA12V99

Para informarse sobre la compatibilidad de baterías más actualizada, sírvase visitar www.boschtools.com

Carga del paquete de baterías

Enchufe el cordón del cargador en un tomacorriente eléctrico estándar y luego introduzca el paquete de baterías 1 en el cargador 2.

La luz indicadora verde del cargador 3 comenzará a "PARPADEAR". Esto indica que la batería está recibiendo una carga rápida. La carga rápida se detendrá automáticamente cuando el paquete de baterías esté completamente cargado.

Cuando la luz indicadora deje de "PARPADEAR" (y se vuelva una luz verde constante), la carga rápida habrá terminado.

El paquete de baterías se puede usar incluso aunque la luz siga parpadeando. Puede que tenga que pasar más tiempo para que la luz deje de parpadear, según la temperatura.

Cuando comience el proceso de carga del paquete de baterías, una luz verde constante también podría significar que el paquete de baterías está demasiado caliente o demasiado frío.

El propósito de la luz verde es indicar que el paquete de baterías se está cargando rápidamente. No indica el punto exacto de carga completa. La luz dejará de parpadear en menos mas tiempo hora si el paquete de baterías no estaba completamente descargado.

Cuando el paquete de baterías esté completamente cargado, desenchufe el cargador (a menos que vaya a cargar otro paquete de baterías) y vuelva a introducir el paquete de baterías en la herramienta.

GARANTIA LIMITADA PARA HERRAMIENTAS MECANICAS PORTATILES Y PARA TABLERO DE BANCO BOSCH

Robert Bosch Tool Corporation ("el Vendedor") garantiza, únicamente al comprador original, que todas las herramientas mecánicas portátiles y para tablero de banco BOSCH estarán libres de defectos de material o de fabricación durante un período de un año a partir de la fecha de compra. LA UNICA OBLIGACION DEL VENDEADOR Y EL RECURSO EXCLUSIVO QUE USTED TIENE bajo esta Garantía Limitada y, hasta donde la ley lo permita, bajo cualquier garantía o condición implícita por ley, consistirá en la reparación o sustitución sin costo de las piezas que presenten defectos de material o de fabricación y que no hayan sido utilizadas incorrectamente, manejadas descuidadamente o reparadas incorrectamente por personas que no sean el Vendedor o una Estación de servicio autorizada. Para efectuar una reclamación bajo esta Garantía Limitada, usted debe devolver el producto, que consiste en la herramienta mecánica portátil o para tablero de banco completa, con el transporte pagado, a cualquier Centro de servicio de fábrica o Estación de servicio autorizada. Para Estaciones de servicio autorizadas de herramientas mecánicas BOSCH, por favor, consulte el directorio telefónico.

ESTA GARANTIA LIMITADA NO SE APLICA A ARTICULOS ACCESORIOS TALES COMO HOJAS PARA SIERRAS CIRCULARES, BROCAS PARA TALADROS, BROCAS PARA FRESADORAS, HOJAS PARA SIERRAS DE VAIVEN, CORREAS PARA LIJAR, RUEDAS DE AMOLAR Y OTROS ARTICULOS RELACIONADOS.

TODAS LAS GARANTIAS IMPLICITAS TENDRAN UNA DURACION LIMITADA A UN AÑO A PARTIR DE LA FECHA DE COMPRA. ALGUNOS ESTADOS DE LOS EE.UU. Y ALGUNAS PROVINCIAS CANADIENSES NO PERMITEN LIMITACIONES EN CUANTO A LA DURACION DE UNA GARANTIA IMPLICITA, POR LO QUE ES POSIBLE QUE LA LIMITACION ANTERIOR NO SEA APLICABLE EN EL CASO DE USTED.

EL VENDEADOR NO SERA RESPONSABLE EN NINGUN CASO DE NINGUN DAÑO INCIDENTAL O EMERGENTE (INCLUYENDO PERO NO LIMITADO A RESPONSABILIDAD POR PERDIDA DE BENEFICIOS) QUE SE PRODUZCA COMO CONSECUENCIA DE LA VENTA O UTILIZACION DE ESTE PRODUCTO. ALGUNOS ESTADOS DE LOS EE.UU. Y ALGUNAS PROVINCIAS CANADIENSES NO PERMITEN LA EXCLUSION O LIMITACION DE LOS DAÑOS INCIDENTALES O EMERGENTES, POR LO QUE ES POSIBLE QUE LA LIMITACION O EXCLUSION ANTERIOR NO SEA APLICABLE EN EL CASO DE USTED.

ESTA GARANTIA LIMITADA LE CONFIERE A USTED DERECHOS LEGALES ESPECIFICOS Y ES POSIBLE QUE USTED TAMBIEN TENGA OTROS DERECHOS QUE VARIAN DE ESTADO A ESTADO EN LOS EE.UU., DE PROVINCIA A PROVINCIA EN CANADA Y DE UN PAIS A OTRO.

ESTA GARANTIA LIMITADA SE APLICA SOLAMENTE A HERRAMIENTAS ELECTRICAS PORTATILES Y PARA TABLERO DE BANCO VENDIDAS EN LOS ESTADOS UNIDOS DE AMERICA, CANADA Y EL ESTADO LIBRE ASOCIADO DE PUERTO RICO. PARA COBERTURA DE GARANTIA EN OTROS PAISES, PONGASE EN CONTACTO CON SU DISTRIBUIDOR O IMPORTADOR LOCAL DE BOSCH.

© Robert Bosch Tool Corporation 1800 W. Central Road Mt. Prospect, IL 60056-2230

Exportado por: Robert Bosch Tool Corporation Mt. Prospect, IL 60056-2230, E.U.A.

Importado en México por: Robert Bosch, S.A. de C.V., Calle Robert Bosch No. 405,

Zona Industrial, Toluca, Edo. de México, C.P. 50070,

Tel. (722) 2792300



2 6 1 0 0 5 0 5 7 2