

IMPORTANT
Read Before Using

IMPORTANT
Lire avant usage

IMPORTANTE
Leer antes de usar



Operating / Safety Instructions
Consignes d'utilisation / de sécurité
Instrucciones de funcionamiento y seguridad

GWX18V-13C



Call Toll Free for Consumer Information & Service Locations

Pour obtenir des informations et les adresses de nos centres de service après-vente, appelez ce numéro gratuit

Llame gratis para obtener información para el consumidor y ubicaciones de servicio

1-877-BOSCH99 (1-877-267-2499) www.boschtools.com

For English Version
See page 2

Version française
Voir page 31





Versión en español
Ver la página 60

Contents


Safety Symbols	3	Installing Wheel Guards (Type 27 and Type 41/1A Wheel Guards)	16
General Power Tool Safety Warnings	3	Mounting and Removing X-Lock Accessories	17
Work Area Safety	3	Abrasive Type 27 Grinding Wheel & Sanding Flap Disk Assembly	19
Electrical Safety	3	Abrasive Type 41/1A Cutting Wheel Assembly	19
Personal Safety	3	Sanding Assembly	20
Power Tool Use and Care	4	Wire Cup Brush Assembly	21
Battery Tool Use and Care	4	Wire Wheel Assembly	21
Service	5	Masonry Cutting Guard Assembly	22
Power Tool-Specific Safety Warnings	5	Inserting and Releasing Battery Pack	23
Safety Warnings Common for Grinding, Sanding, Wire Brushing, and Abrasive Cutting-Off Operations	5	Operating Instructions	24
Kickback and Related Warnings	6	Side Switch (Fig. 20)	24
Safety Warnings Specific for Grinding and Abrasive Cutting-Off Operations	7	Metal Grinding	25
Additional Safety Warnings Specific for Abrasive Cutting-Off Operations	7	Metal Cutting	25
Additional Safety Warnings	8	Masonry / Concrete Cutting	26
Safety Warnings Specific for Sanding Operations	8	Sanding	27
Safety Warnings Specific for Wire Brushing Operations	8	Wire Brush (Wheels and Cups)	28
Symbols	9	Using 'Bosch Toolbox' app	29
Functional Description and Specifications	11	Maintenance	30
Basic X-Lock Operation	13	Service	30
Brake Operation	14	Batteries	30
Assembly	15	Tool Lubrication	30
Inserting the Bluetooth Connectivity Tool Module	15	D.C. Motors	30
Installing Side Handle	15	Cleaning	30
Hand Shield	15	Accessory Storage & Maintenance	30
		Accessories	30

Safety Symbols

The definitions below describe the level of severity for each signal word. Please read the manual and pay attention to these symbols.

	This is the safety alert symbol. It is used to alert you to potential personal injury hazards. Obey all safety messages that follow this symbol to avoid possible injury or death.
	DANGER indicates a hazardous situation which, if not avoided, will result in death or serious injury.
	WARNING indicates a hazardous situation which, if not avoided, could result in death or serious injury.
	CAUTION indicates a hazardous situation which, if not avoided, could result in minor or moderate injury.

General Power Tool Safety Warnings

 **Read all safety warnings and all instructions.** Failure to follow the warnings and instructions may result in electric shock, fire and/or serious injury.

SAVE ALL WARNINGS AND INSTRUCTIONS FOR FUTURE REFERENCE

The term “power tool” in the warnings refers to your mains-operated (corded) power tool or battery-operated (cordless) power tool.

Work Area Safety

Keep work area clean and well lit. Cluttered or dark areas invite accidents.

Do not operate power tools in explosive atmospheres, such as in the presence of flammable liquids, gases or dust. Power tools create sparks which may ignite the dust or fumes.

Keep children and bystanders away while operating a power tool. Distractions can cause you to lose control.

Electrical Safety

Power tool plugs must match the outlet. Never modify the plug in any way. Do not use any adapter plugs with earthed (grounded) power tools. Unmodified plugs and matching outlets will reduce risk of electric shock.

Avoid body contact with earthed or grounded surfaces, such as pipes, radiators, ranges and refrigerators. There is an increased risk of electric shock if your body is earthed or grounded.

Do not expose power tools to rain or wet conditions. Water entering a power tool will increase the risk of electric shock.

Do not abuse the cord. Never use the cord for carrying, pulling or unplugging the power tool. Keep cord away from heat, oil, sharp edges or moving parts. Damaged or entangled cords increase the risk of electric shock.

When operating a power tool outdoors, use an extension cord suitable for outdoor use. Use of a cord suitable for outdoor use reduces the risk of electric shock.

If operating a power tool in a damp location is unavoidable, use a Ground Fault Circuit Interrupter (GFCI) protected supply. Use of an GFCI reduces the risk of electric shock.

Personal Safety

Stay alert, watch what you are doing and use common sense when operating a power tool. Do not use a power tool while you are tired or under the influence of drugs, alcohol or medication. A moment of inattention while operating power tools may result in serious personal injury.

General Power Tool Safety Warnings

Use personal protective equipment. Always wear eye protection. Protective equipment such as dust mask, non-skid safety shoes, hard hat, or hearing protection used for appropriate conditions will reduce personal injuries.

Prevent unintentional starting. Ensure the switch is in the off-position before connecting to power source and / or battery pack, picking up or carrying the tool. Carrying power tools with your finger on the switch or energizing power tools that have the switch on invites accidents.

Remove any adjusting key or wrench before turning the power tool on. A wrench or a key left attached to a rotating part of the power tool may result in personal injury.

Do not overreach. Keep proper footing and balance at all times. This enables better control of the power tool in unexpected situations.

Dress properly. Do not wear loose clothing or jewelry. Keep your hair, clothing and gloves away from moving parts. Loose clothes, jewelry or long hair can be caught in moving parts.

If devices are provided for the connection of dust extraction and collection facilities, ensure these are connected and properly used. Use of dust collection can reduce dust-related hazards.

Power Tool Use and Care

Do not force the power tool. Use the correct power tool for your application. The correct power tool will do the job better and safer at the rate for which it was designed.

Do not use the power tool if the switch does not turn it on and off. Any power tool that cannot be controlled with the switch is dangerous and must be repaired.

Disconnect the plug from the power source and/or remove the battery pack from the power tool before making any adjustments, changing accessories, or storing power tools. Such preventive safety measures reduce the risk of starting the power tool accidentally.

Store idle power tools out of the reach of children and do not allow persons unfamiliar with the power tool or these instructions to operate the power tool. Power tools are dangerous in the hands of untrained users.

Maintain power tools. Check for misalignment or binding of moving parts, breakage of parts and any other condition that may affect the power tool's operation. If damaged, have the power tool repaired before use. Many accidents are caused by poorly maintained power tools.

Keep cutting tools sharp and clean. Properly maintained cutting tools with sharp cutting edges are less likely to bind and are easier to control.

Use the power tool, accessories and tool bits etc. in accordance with these instructions, taking into account the working conditions and the work to be performed. Use of the power tool for operations different from those intended could result in a hazardous situation.

Battery Tool Use and Care

Recharge only with the charger specified by the manufacturer. A charger that is suitable for one type of battery pack may create a risk of fire when used with another battery pack.

Use power tools only with specifically designated battery packs. Use of any other battery packs may create a risk of injury and fire.

When battery pack is not in use, keep it away from other metal objects like paper clips, coins, keys, nails, screws, or other small metal objects that can make a connection from one terminal to another. Shorting the battery terminals together may cause burns or a fire.

Under abusive conditions, liquid may be ejected from the battery, avoid contact. If contact accidentally occurs, flush with water. If liquid contacts eyes, additionally seek medical help. Liquid ejected from the battery may cause irritation or burns.

Do not use a battery pack or tool that is damaged or modified. Damaged or

General Power Tool Safety Warnings

modified batteries may exhibit unpredictable behaviour resulting in fire, explosion or risk of injury.

Do not expose a battery pack or tool to fire or excessive temperature. Exposure to fire or temperature above 265 °F may cause explosion.

Follow all charging instructions and do not charge the battery pack or tool outside the temperature range specified in the instructions. Charging improperly or at temperatures outside the specified range may damage the battery and increase the risk of fire.

Power Tool-Specific Safety Warnings

Safety Warnings Common for Grinding, Sanding, Wire Brushing, and Abrasive Cutting-Off Operations

This power tool is intended to function as a grinder, sander, wire brush or cut-off tool. Read all safety warnings, instructions, illustrations and specifications provided with this power tool. Failure to follow all instructions listed below may result in electric shock, fire and/or serious injury.

Operations such as polishing are not recommended to be performed with this power tool. Operations for which the power tool was not designed may create a hazard and cause personal injury.

Do not use accessories which are not specifically designed and recommended by the tool manufacturer. Just because the accessory can be attached to your power tool, it does not assure safe operation.

The rated speed of the accessory must be at least equal to the maximum speed marked on the power tool. Accessories running faster than their rated speed can break and fly apart.

The outside diameter and the thickness of your accessory must be within the capacity rating of your power tool. In-

Service

Have your power tool serviced by a qualified repair person using only identical replacement parts. This will ensure that the safety of the power tool is maintained.

Never service damaged battery packs. Service of battery packs should only be performed by the manufacturer or authorized service providers.

correctly sized accessories cannot be adequately guarded or controlled.

Threaded mounting of accessories must match the grinder spindle thread. For accessories mounted by flanges, the arbour hole of the accessory must fit the locating diameter of the flange. Accessories that do not match the mounting hardware of the power tool will run out of balance, vibrate excessively and may cause loss of control.

Do not use a damaged accessory. Before each use inspect the accessory such as abrasive wheels for chips and cracks, backing pad for cracks, tear or excess wear, wire brush for loose or cracked wires. If power tool or accessory is dropped, inspect for damage or install an undamaged accessory. After inspecting and installing an accessory, position yourself and bystanders away from the plane of the rotating accessory and run the power tool at maximum no-load speed for one minute. Damaged accessories will normally break apart during this test time.

Wear personal protective equipment. Depending on application, use face shield, safety goggles or safety glasses. As appropriate, wear dust mask, hearing protectors, gloves and workshop apron capable of stopping small abrasive or workpiece fragments. The eye protection

Power Tool-Specific Safety Warnings

must be capable of stopping flying debris generated by various operations. The dust mask or respirator must be capable of filtering particles generated by your operation. Prolonged exposure to high intensity noise may cause hearing loss.

Keep bystanders a safe distance away from work area. Anyone entering the work area must wear personal protective equipment. Fragments of workpiece or of a broken accessory may fly away and cause injury beyond immediate area of operation.

Hold the power tool by insulated gripping surfaces only, when performing an operation where the cutting accessory may contact hidden wiring. Cutting accessory contacting a “live” wire may make exposed metal parts of the power tool “live” and could give the operator an electric shock.

Never lay the power tool down until the accessory has come to a complete stop. The spinning accessory may grab the surface and pull the power tool out of your control.

Do not run the power tool while carrying it at your side. Accidental contact with the spinning accessory could snag your clothing, pulling the accessory into your body.

Regularly clean the power tool’s air vents. The motor’s fan will draw the dust inside the housing and excessive accumulation of powdered metal may cause electrical hazards.

Do not operate the power tool near flammable materials. Sparks could ignite these materials.

Do not use accessories that require liquid coolants. Using water or other liquid coolants may result in electrocution or shock.

Only use Bosch or Bosch licensed X-Lock accessories. Incompatible accessories may not clamp properly resulting in personal injury and/or property damage.

Confirm proper clamping by ensuring that top of the accessory flange surface is not above the top of the accessory height gage. Accessories that are above the accessory height gage may not be clamped properly and separate from the

tool causing personal injury and/or property damage.

Always inspect accessory mount and accessory clamping flange before use. Do not use the tool or accessory if the accessory mount or accessory is damaged or deformed. Accessories that are not clamped properly may cause personal injury and/or property damage.

Check for presence or buildup of foreign material on tool and accessory clamping surfaces and remove before use. Unwanted material can cause incomplete clamping and may cause personal injury and/or property damage.

Never actuate X-Lock Release Lever while accessory is moving. Make sure that the accessory has come to a complete stop before removing the accessory. Releasing accessory while still spinning could cause personal injury and/or property damage.

Kickback and Related Warnings

Kickback is a sudden reaction to a pinched or snagged rotating wheel, backing pad, brush or any other accessory. Pinching or snagging causes rapid stalling of the rotating accessory which in turn causes the uncontrolled power tool to be forced in the direction opposite of the accessory’s rotation at the point of the binding.

For example, if an abrasive wheel is snagged or pinched by the workpiece, the edge of the wheel that is entering into the pinch point can dig into the surface of the material causing the wheel to climb out or kickout. The wheel may either jump toward or away from the operator, depending on direction of the wheel’s movement at the point of pinching. Abrasive wheels may also break under these conditions.

Kickback is the result of power tool misuse and/or incorrect operating procedures or conditions and can be avoided by taking proper precautions as given below.

Maintain a firm grip on the power tool and position your body and arm to allow you to resist kickback forces. Always use auxiliary handle, if provided, for maximum control over kickback or torque reaction during start-up. The operator can control

Power Tool-Specific Safety Warnings

torque reactions or kickback forces, if proper precautions are taken.

Never place your hand near the rotating accessory. Accessory may kickback over your hand.

Do not position your body in the area where power tool will move if kickback occurs. Kickback will propel the tool in direction opposite to the wheel's movement at the point of snagging.

Use special care when working corners, sharp edges etc. Avoid bouncing and snagging the accessory. Corners, sharp edges or bouncing have a tendency to snag the rotating accessory and cause loss of control or kickback.

Do not attach a saw chain woodcarving blade or toothed saw blade. Such blades create frequent kickback and loss of control.

Safety Warnings Specific for Grinding and Abrasive Cutting-Off Operations

Use only wheel types that are recommended for your power tool and the specific guard designed for the selected wheel. Wheels for which the power tool was not designed cannot be adequately guarded and are unsafe.

The grinding surface of centre depressed wheels must be mounted below the plane of the guard lip. An improperly mounted wheel that projects through the plane of the guard lip cannot be adequately protected.

The guard must be securely attached to the power tool and positioned for maximum safety, so the least amount of wheel is exposed towards the operator. The guard helps to protect operator from broken wheel fragments, accidental contact with wheel and sparks that could ignite clothes.

Wheels must be used only for recommended applications. For example: do not grind with the side of cut-off wheel. Abrasive cut-off wheels are intended for peripheral grinding, side forces applied to these wheels may cause them to shatter.

Always use undamaged wheel flanges that are of correct size and shape for your selected wheel. Proper wheel flanges support the wheel thus reducing the possibility of wheel breakage. Flanges for cut-off wheels may be different from grinding wheel flanges.

Do not use worn down wheels from larger power tools. Wheel intended for larger power tool is not suitable for the higher speed of a smaller tool and may burst.

Additional Safety Warnings Specific for Abrasive Cutting-Off Operations

Do not "jam" the cut-off wheel or apply excessive pressure. Do not attempt to make an excessive depth of cut. Over-stressing the wheel increases the loading and susceptibility to twisting or binding of the wheel in the cut and the possibility of kickback or wheel breakage.

Do not position your body in line with and behind the rotating wheel. When the wheel, at the point of operation, is moving away from your body, the possible kickback may propel the spinning wheel and the power tool directly at you.

When wheel is binding or when interrupting a cut for any reason, switch off the power tool and hold the power tool motionless until the wheel comes to a complete stop. Never attempt to remove the cut-off wheel from the cut while the wheel is in motion otherwise kickback may occur. Investigate and take corrective action to eliminate the cause of wheel binding.

Do not restart the cutting operation in the workpiece. Let the wheel reach full speed and carefully reenter the cut. The wheel may bind, walk up or kickback if the power tool is restarted in the workpiece.

Support panels or any oversized workpiece to minimize the risk of wheel pinching and kickback. Large workpieces tend to sag under their own weight. Supports must be placed under the workpiece near the line of cut and near the edge of the workpiece on both sides of the wheel.

Power Tool-Specific Safety Warnings

Use extra caution when making a “pocket cut” into existing walls or other blind areas. The protruding wheel may cut gas or water pipes, electrical wiring or objects that can cause kickback.

Do not use type 1 abrasive wheels designed for straight grinding.

Do not attempt to cut large stock or sheets of metal as this machine is not designed to be a dedicated cut-off machine.

Safety Warnings Specific for Sanding Operations

Do not use excessively oversized sanding disc paper. Follow manufacturer’s recommendations, when selecting sanding paper. Larger sanding paper extending beyond the sanding pad presents a laceration hazard and may cause snagging, tearing of the disc or kickback.

Safety Warnings Specific for Wire Brushing Operations

Be aware that wire bristles are thrown by the brush even during ordinary operation. Do not overstress the wires by applying excessive load to the brush. The wire bristles can easily penetrate light clothing and/or skin.

If the use of a guard is recommended for wire brushing, do not allow any interference of the wire wheel or brush with the guard. Wire wheel or brush may expand in diameter due to work load and centrifugal forces.

Additional Safety Warnings

Do not use AC only rated tools with a DC power supply. While the tool may appear to work, the electrical components of the AC rated tool are likely to fail and create a hazard to the operator.

Keep handles dry, clean and free from oil and grease. Slippery hands cannot safely control the power tool.

Use clamps or other practical way to secure and support the workpiece to a stable platform. Holding the work by hand or against your body is unstable and may lead to loss of control.

Develop a periodic maintenance schedule for your tool. When cleaning a tool be careful not to disassemble any portion of the tool since internal wires may be misplaced or pinched or safety guard return springs may be improperly mounted. Certain cleaning agents such as gasoline, carbon tetrachloride, ammonia, etc. may damage plastic parts.

Do not use vacuum or other dust collection system when cutting metal. Sparks

from metal cutting can cause fire in the collector.






⚠️ WARNING Some dust created by power sanding, sawing, grinding, drilling, and other construction activities contains chemicals known to cause cancer, birth defects or other reproductive harm. Some examples of these chemicals are:

- Lead from lead-based paints,
- Crystalline silica from bricks and cement and other masonry products, and
- Arsenic and chromium from chemically-treated lumber.

Your risk from these exposures varies, depending on how often you do this type of work. To reduce your exposure to these chemicals: work in a well ventilated area, and work with approved safety equipment, such as those dust masks that are specially designed to filter out microscopic particles.

Symbols

IMPORTANT: Some of the following symbols may be used on your tool. Please study them and learn their meaning. Proper interpretation of these symbols will allow you to operate the tool better and safer.

Symbol	Designation/Explanation
V	Volts (voltage)
A	Amperes (current)
Hz	Hertz (frequency, cycles per second)
W	Watt (power)
kg	Kilograms (weight)
min	Minutes (time)
s	Seconds (time)
∅	Diameter (size of drill bits, grinding wheels, etc.)
n_0	No load speed (rotational speed, at no load)
n	Rated speed (Maximum attainable speed)
.../min	Revolutions or reciprocation per minute (revolutions, strokes, surface speed, orbits etc. per minute)
0	Off position (zero speed, zero torque...)
1, 2, 3, ... I, II, III,	Selector settings (speed, torque or position settings. Higher number means greater speed)
0 	Infinitely variable selector with off (speed is increasing from 0 setting)
	Arrow (action in the direction of arrow)
~	Type or a characteristic of current
==	Type or a characteristic of current
⌚	Type or a characteristic of current
	Designates Double Insulated Construction tools
	Grounding terminal
	Alerts user to warning messages

Symbols

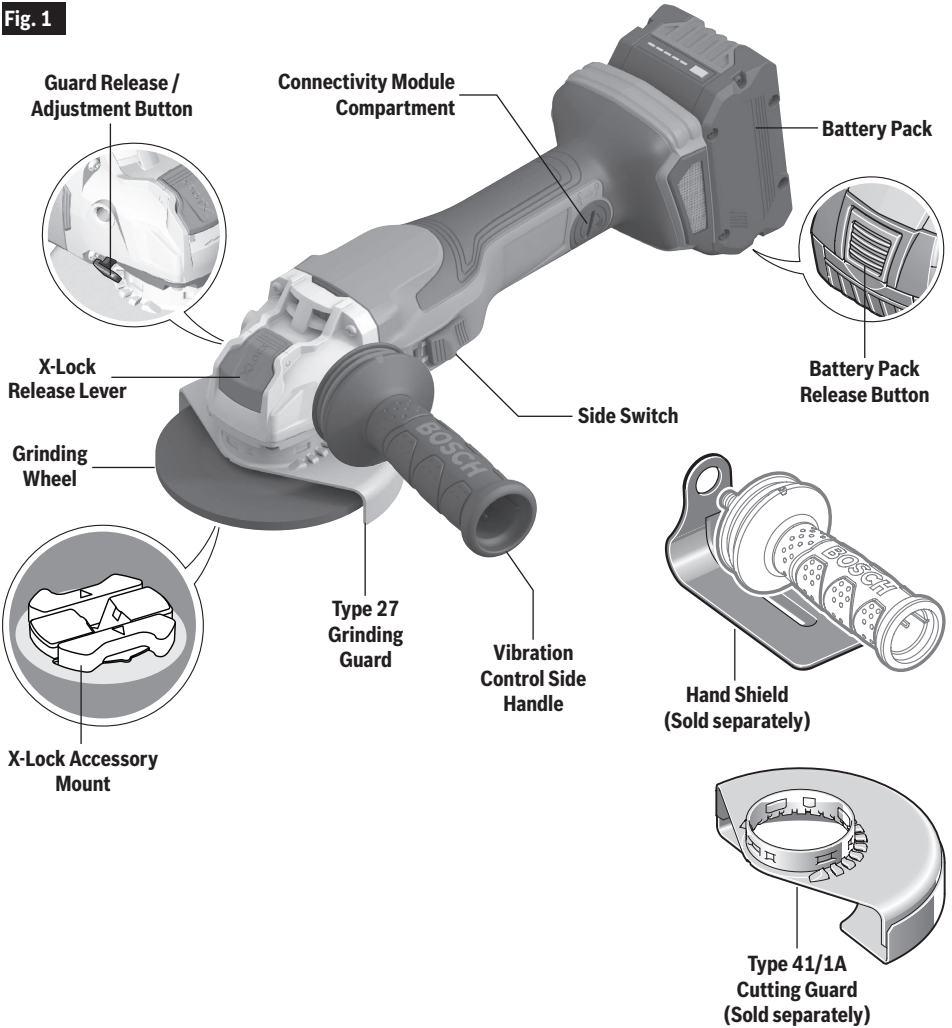
IMPORTANT: Some of the following symbols may be used on your tool. Please study them and learn their meaning. Proper interpretation of these symbols will allow you to operate the tool better and safer.

Symbol	Designation/Explanation
	Designates Li-ion battery recycling program.
	Alerts user to read manual.
	Alerts user to wear eye protection.
	Alerts user to wear respiratory protection
	Alerts user to wear hearing protection
	This symbol designates that this tool is listed by Underwriters Laboratories.
	This symbol designates that this component is recognized by Underwriters Laboratories.
	This symbol designates that this tool is listed by Underwriters Laboratories, to United States and Canadian Standards.
	This symbol designates that this tool is listed by the Canadian Standards Association.
	This symbol designates that this tool is listed by the Canadian Standards Association, to United States and Canadian Standards.
	This symbol designates that this tool is listed by the Intertek Testing Services, to United States and Canadian Standards.
	This symbol designates that this tool complies to NOM Mexican Standards.

Functional Description and Specifications

GWX18V-13C Cordless Angle Grinder with Side Switch

Fig. 1



Battery Packs / Chargers:

Please refer to the battery/charger list, included with your tool.

NOTE: For tool specifications refer to the nameplate on your tool.

Functional Description and Specifications

Model Number	GWX18V-13C
Battery	18V (Bosch Series)
Rated Speed (RPM), /min	n 8,500/min
Switch Type	Side Switch
Run-Down Brake	Included
Bluetooth Connectivity Tool Module	Sold separately
Max. grinding wheel Ø	6" (150 mm)
Grinding wheel thickness	1/4" (6 mm)
Max. cutting wheel Ø	6" (150 mm)
Max. sanding disc Ø	6" (150 mm)
Max. flap disc Ø	6" (150 mm)
Max. wire wheel Ø	4" (102 mm)
Max. wire cup Ø	4" (100 mm)

Applications

Model Number	GWX18V-13C
Metal Grinding (Type 27)	X
Metal Grinding (Type 11)	N
Metal Grinding (Type 1)	N
Metal Cutting (Type 41/1A)	O
Flap Disc Type 29	X
Concrete Cutting	O
Sanding	O
Wire Brushing (Wheel)	X
Wire Brushing (Cup)	O

X = Tool is provided with attachments to perform this application.

O = Tool can use optional attachments to perform this application.

N = Tool is not capable of this application.

Accessory speed rating must be equal to or greater than the tool's speed rating. Do not exceed the recommended wheel diameter.



Do not use Type 11 abrasive (cup) wheels with this tool. This tool is not designed for use with type 11 (cup) abrasive grinding wheels.

Basic X-Lock Operation

The X-Lock system is a combination of patented tool mount and accessory designs that provide the operator with fast accessory changes. Available on select Bosch angle grinders, X-Lock allows tool free installation and removal of grinder accessories (grinding, cut-off wheels, wire brushes, sanding discs, etc.). The X-Lock system is a replacement for the traditional method of attaching grinder accessories.

Traditional grinders have 5/ 8"-11 threaded spindles that require a nut and backing flange to hold the accessory in place. To replace an accessory, a wrench is used to loosen or tighten the nut. X-Lock equipped grinders have a tool free interface system, eliminating the spindle, backing flange and lock nut.

The X-Lock interface has a tool component – X-Lock Accessory Mount, and an accessory component – typically an Accessory X-Lock Mounting Hub. The two components have keyed alignment contours, which help to ensure correct assembly of accessory to tool.

The X-Lock Accessory Mount consists of a round base, clamping height gages and locking mechanism, which activates the clamping tabs. X-Lock equipped grinders can only use X-Lock accessories since the specially designed X-Lock Mounting Hub matches the contours of the X-Lock Accessory Mount on the tool (See figure 2). However, select X-Lock accessories are backward compatible with the traditional threaded spindle design.

Attachment of the X-Lock accessory to the X-Lock Accessory Mount on the grinder requires alignment of the mounting hub with the accessory mounting mechanism. Once the Accessory X-Lock Mounting Hub is aligned, and pressed against the base of the X-Lock Accessory Mount, the locking mechanism is activated. This causes the two opposing clamping tabs to lock the accessory to the grinder. An audible 'click' in combination with the alignment of the flat surface of the Accessory X-Lock Mounting hub with the Clamping Height Gages means the accessory is firmly attached to the tool. To remove the accessory, a lever

Fig. 2

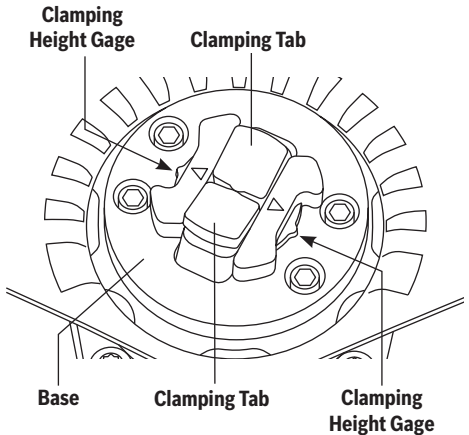
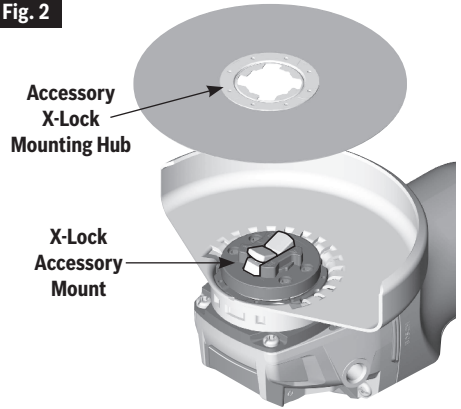
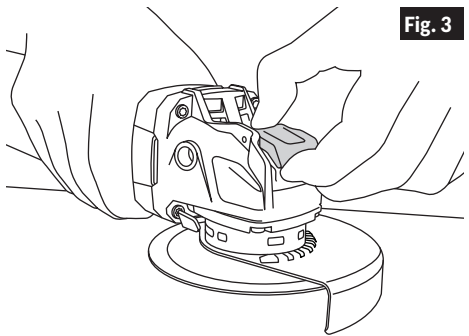


Fig. 3



on the grinder gearhead is actuated which will release the locking tabs, allowing the accessory to be detached from the tool. (Fig. 3)

Brake Operation

⚠ WARNING Let the grinder accessory come to a complete stop before setting the tool down. The brake action of this grinder is not intended as a safety feature. Using the appropriate guard when operating the grinder is your best protection against unintentional contact with a spinning accessory. Unintended contact with a rotating accessory can cause property damage and/or personal injury.

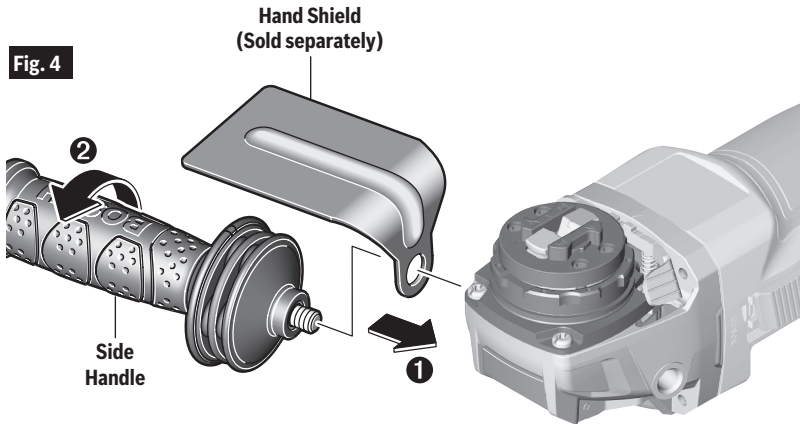
⚠ WARNING Know the charge state of your battery. The electric braking action is initiated ONLY by the release of the trigger switch and in a tool that has power available. When electrical power is lost due to a discharged battery or other causes, the electric brake will not operate and the motor will gradually slow down. Unexpected run down time may cause property damage and/or personal injury.

Your grinder is equipped with an automatic electric brake which is designed to stop the accessory from spinning in approximately two (2) seconds after you release the trigger switch. This feature helps improve jobsite productivity.

Braking starts once the power is turned off. The brake requires a charged battery to function. Stopping time will vary depending on, among other factors, accessory used, and number of actuations. The electric brake of your grinder has been designed for a high degree of reliability, but unexpected circumstances such as contamination or failure of the motor's components can cause the brake to not activate. If the tool operates but the brake does not consistently stop the accessory in about 2 seconds, DO NOT use the grinder and have it serviced by a Bosch Factory Service Center or Bosch authorized service facility.

Assembly

⚠ WARNING Disconnect the plug from the power source and/or remove the battery pack, if detachable, from the power tool before making any adjustments, changing accessories, or storing power tools. Such preventive safety measures reduce the risk of starting the power tool accidentally.



Inserting the Bluetooth Connectivity Tool Module

Read the corresponding operating instructions for information about the Bluetooth® Connectivity Tool Module.

Installing Side Handle

The side handle is used to control and balance the tool.

Securely thread handle into either side of gear housing, depending on personal preference, comfort, and operation being performed (Fig. 4).

The handle should always be installed onto the guard protected side of the tool, see figure 6. Use the side handle for safe control and ease of operation.

Hand Shield

The hand shield is to be used with backing pads, sanding discs, and wire brushes to keep fingers and hand away from work surface, sharp edges, burrs and debris.

When using the hand shield, insert side handle through hole in shield and then thread into housing (Fig. 4). Ensure that hand shield is positioned between hand and backing pad, sanding disc or wire brush.

Assembly

Installing Wheel Guards (Type 27 and Type 41/1A Wheel Guards)

⚠WARNING A Type 27 guard must be used with all grinding wheels, bonded body sanding flap discs, wire brushes and wheels. The tool may be used without a guard only when sanding with conventional sanding discs.

To attach guard

1. Unplug tool from power source.
2. Position appropriate guard on collar mount so arrows on guard and collar mount align (Fig. 5).
3. Rotate wheel guard clockwise 90° until guard clicks in place.
4. Adjust guard by depressing guard release button and rotate to desired position. Always position wheel guard between operator and work piece and direct sparks away from operator (Fig. 6).
5. Allow guard release button to click in place.

To remove wheel guard

1. Depress guard release button and rotate guard until arrows on guard and collar mount align (Fig. 5).
2. Remove guard from collar mount.

Fig. 5

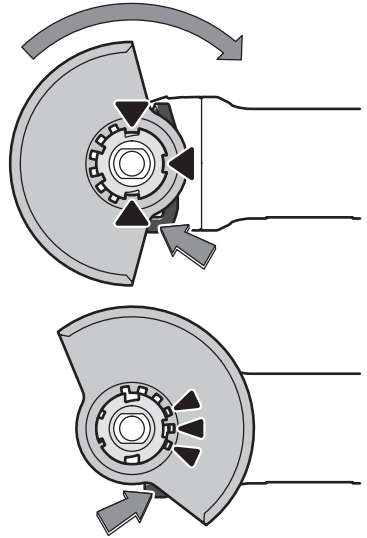
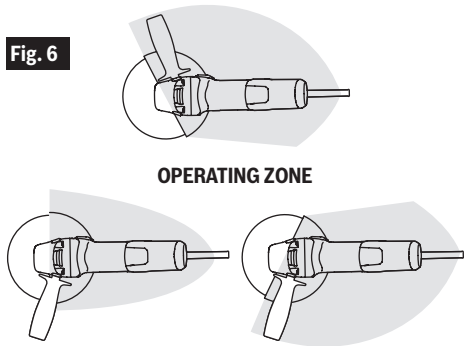


Fig. 6



Assembly

Mounting and Removing X-Lock Accessories

⚠️WARNING Only use Bosch or Bosch licensed X-LOCK accessories. Incompatible accessory mounting features may affect clamping of accessory and may result in personal injury and/or property damage.

⚠️WARNING Confirm proper clamping by ensuring that top of the accessory X-Lock mounting hub surface is not above the top of the clamping height gage. Accessories that are above the clamping height gage may not be fixed properly and separate from the the tool causing personal injury and/or property damage.

⚠️WARNING Always inspect accessory mount and accessory clamping flange before use. Do not use the tool or accessory if the accessory mount or accessory is damaged or deformed. Accessories that are not clamped properly may cause personal injury and/or property damage.

⚠️WARNING Check for presence or buildup of foreign material on clamping surfaces and remove before use. Unwanted material can cause incomplete clamping and may cause personal injury and/or property damage.

⚠️WARNING Never actuate X-Lock Release Lever while accessory is moving. Make sure that the accessory has come to a complete stop before removing the accessory. Ejecting accessory while still spinning could cause personal injury and/or property damage.

Verify that the accessory and the X-Lock Accessory Mount are not deformed and are free from dirt. If necessary, clean the area around the two X-Lock Clamping Tabs.

Verify that both X-Lock Clamping Tabs are open (see Fig. 7) before fitting the X-Lock accessory.

Fig. 7

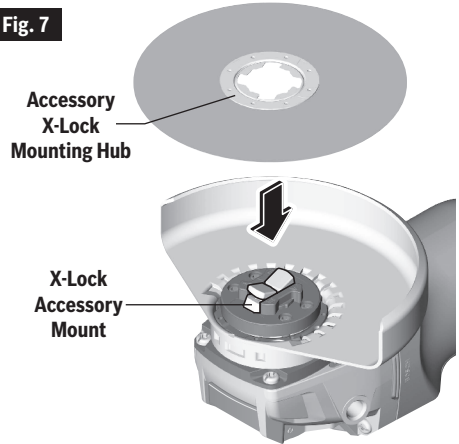
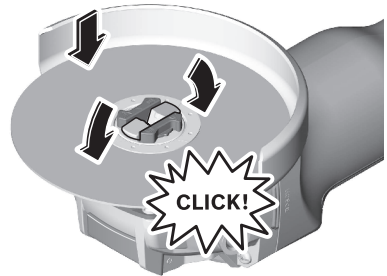


Fig. 8



Mounting accessory to the tool

1. Place the accessory on the X-Lock Accessory Mount, by aligning the shape of the Accessory X-Lock Mounting Hub with the X-Lock Accessory Mount on the grinder (Fig. 7).
2. Push the accessory into the X-Lock Accessory Mount. The accessory audibly clicks as the Clamping Tabs lock into place (Fig. 8).
3. Check that the edge of the Accessory X-Lock Mounting Hub is correctly engaged in the slots of the X-Lock Clamping Tabs (Fig. 9). If the top surface of the Accessory X-Lock Mounting Hub is higher than the "V" shaped Clamping Height Gage (located on each side of the X-Lock Accessory Mount), the X-

Assembly

Lock accessory must not be used until this condition is eliminated by cleaning the X-Lock Accessory Mount or replacing the accessory.

Removing accessories

⚠ WARNING Never actuate X-Lock release lever while accessory is moving. Ejecting accessory before the accessory comes to a complete stop could cause personal injury and/or property damage.

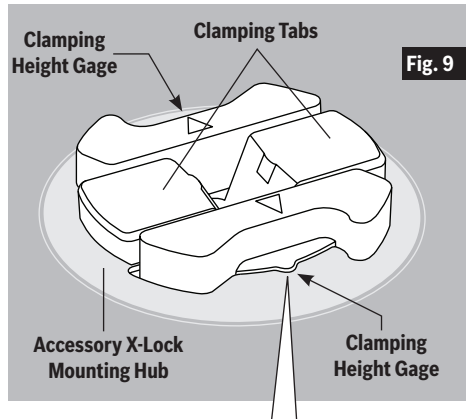
⚠ WARNING Do not touch grinding and cutting discs until they have cooled down. The discs can become very hot while working.

⚠ WARNING Do not allow accessories to fall uncontrollably after release. Falling accessories may cause personal injury and/or property damage and can be damaged.

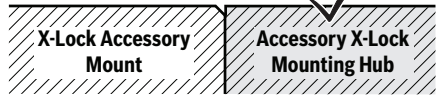
⚠ WARNING Do not use a damaged accessory. Before each use inspect the accessory such as abrasive wheels for chips and cracks, backing pad for cracks, tear or excess wear, wire brush for loose or cracked wires. If power tool or accessory is dropped, inspect for damage or install an undamaged accessory. After inspecting and installing an accessory, position yourself and bystanders away from the plane of the rotating accessory and run the power tool at maximum no-load speed for one minute. Damaged accessories will normally break apart during this test time.

Before removing the accessory: Make sure that the power tool has come to a complete stop and is disconnected from power.

1. Orient the tool to prevent the accessory from being dropped during release.
2. Open the X-Lock Release Lever (Fig. 10):
(A) Press on the backside of the lever.
(B) Lift the front-side of the lever by pulling.
3. Remove the accessory from the tool with care, preventing it from being dropped.



CORRECT: Height of Accessory X-Lock Mounting Hub is equal or less than X-Lock Accessory Mount



INCORRECT: Height of Accessory X-Lock Mounting Hub is greater than X-Lock Accessory Mount

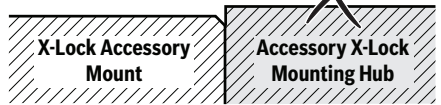
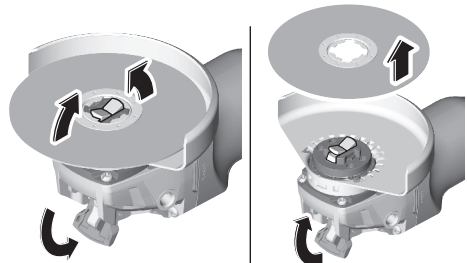
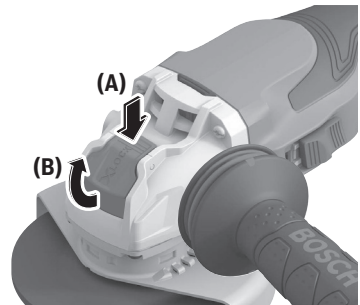


Fig. 10



Assembly

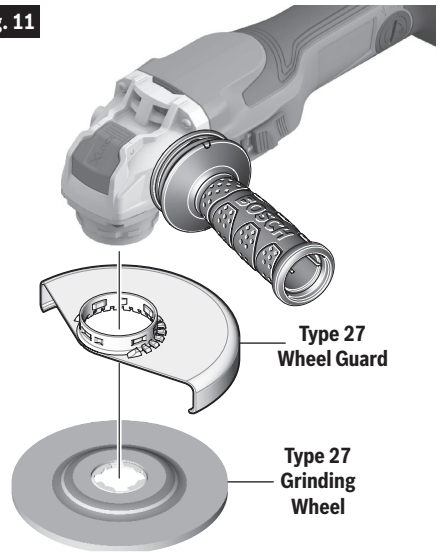
Abrasive Type 27 Grinding Wheel & Sanding Flap Disk Assembly

⚠WARNING Do not use accessories that run eccentrically.

The tool will vibrate excessively and may cause loss of control and the accessory may burst.

To install grinding wheel or flap disk (Fig. 11) see instructions on page 17.

Fig. 11

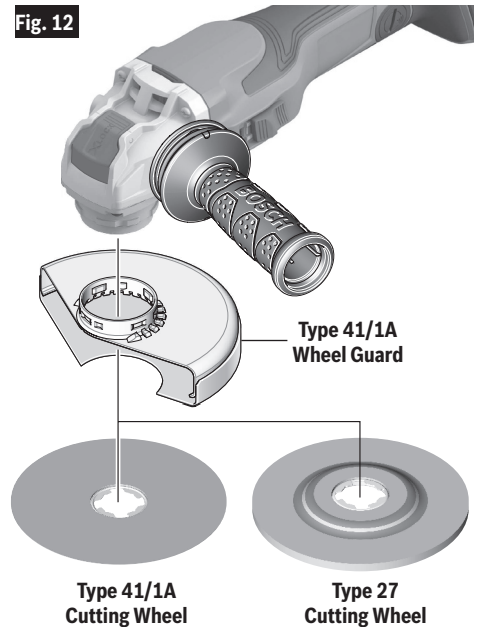


Abrasive Type 41/1A Cutting Wheel Assembly

⚠WARNING Always use type 41/1A cutting guard for cutting operations. Other guards or attachments may not protect operator in the event of a wheel burst.

To install cutting wheel (Fig. 12) see instructions on page 17.

Fig. 12



Assembly

Sanding Assembly

⚠ WARNING A type 27 wheel guard may not be used for all tool operations. Do not discard guard when not in use. Always reinstall wheel guard when converting back to grinding operations.

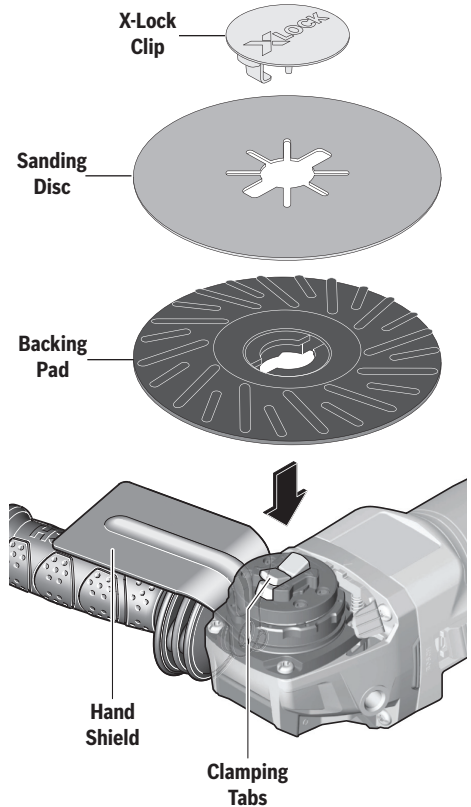
⚠ WARNING Confirm proper clamping by ensuring that top of the accessory X-Lock Mounting Hub surface is not above the top of the Clamping Height Gage. Accessories that are above the clamping height gage may not be fixed properly and separate from the the tool causing personal injury and/or property damage.

The Hand Shield is to be used with backing pads, sanding discs and wire brushes to keep fingers and hand away from work surface, sharp edges, burs and debris. When using the Hand Shield accessory, insert side handle through hole in shield and then thread into housing (Fig. 4). Ensure that hand shield is positioned between hand and backing pad, sanding disc or wire brush.

To install backing pad and sanding disc (Fig. 13)

1. Inspect Hand Shield to ensure that it is properly attached to the grinder.
2. Place the Backing Pad onto the X-Lock Accessory Mount with the rectangular openings positioned around the X-Lock Clamping Tabs.
3. Center the Sanding Disc on top of the Backing Pad and align the rectangular cut-outs with the Clamping Tabs on the X-Lock Accessory Mount.
4. Align the X-Lock Clip with the slots in the Sanding Disc. Insert the X-Lock Clip through the Sanding Disc and apply pressure to it, until it is fully engaged by the Clamping Tabs, which will be indicated by an audible “click”.
5. To remove the sanding assembly from the grinder, follow instructions for Mounting and Removing X-Lock Accessories starting on page 15.

Fig. 13



Assembly

Wire Cup Brush Assembly

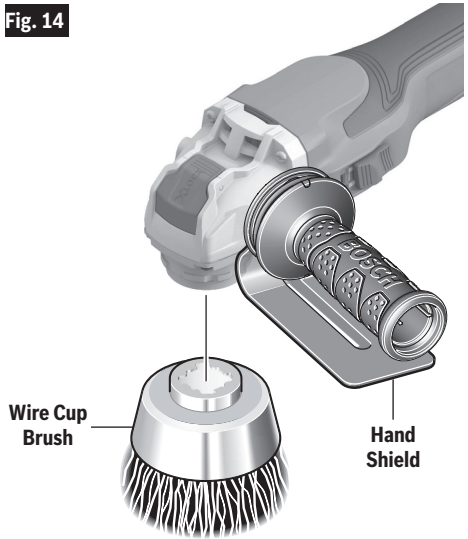
⚠️WARNING A type 27 wheel guard may not be used for all tool operations. Do not discard guard when not in use. Always reinstall wheel guard when converting back to grinding operations. When using Wire Cup Wheels, tool may be used without a guard.

⚠️WARNING Wear protective gloves when handling wire brush accessories. Handling of wire brush accessories without gloves may result in personal injury.

To install wire cup brush (Fig. 14)

Follow instructions for Mounting and Removing X-Lock Accessories starting on page 17.

Fig. 14

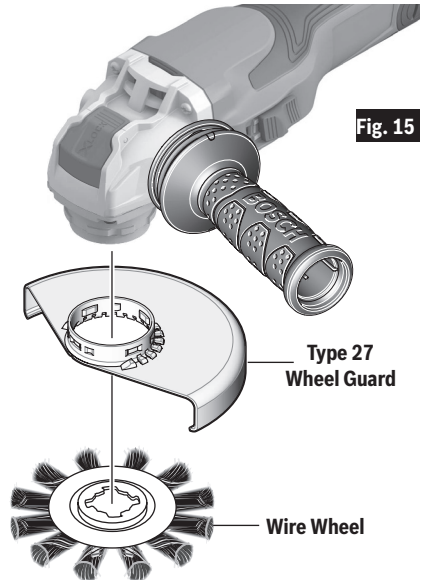


Wire Wheel Assembly

To install wire wheel (Fig. 15)

1. Inspect and adjust Type 27 Grinding Guard to the proper position, as shown in figure 6 on page 16.
2. Follow instructions for "Mounting accessory to the tool" and "Removing the accessories on page 18."

Fig. 15



Assembly

Masonry Cutting Guard Assembly

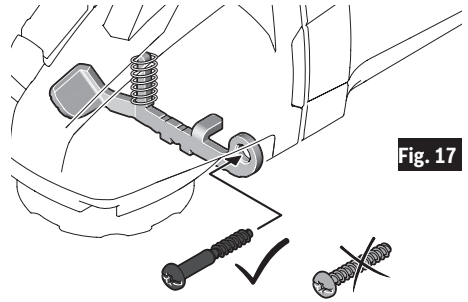
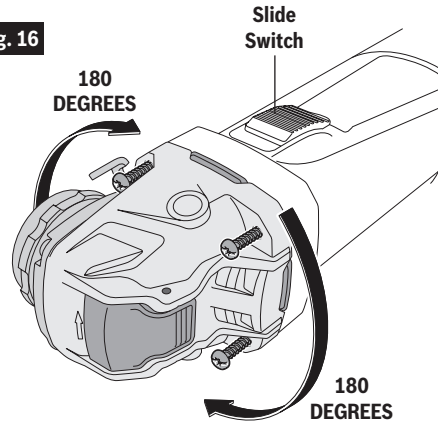
⚠️ WARNING A type 27 grinding wheel guard may not be used for all tool operations. Do not discard guard when not in use. Always reinstall wheel guard when converting back to grinding operations.

For cutting masonry, gearbox must be rotated relative to the position of the switch as the tool was assembled at the factory.

Rotate Gearbox

1. Completely unscrew the four screws between the gear housing and motor body.
2. Rotate gear housing to the proper orientation without removing motor from the housing. For the slide switch models (Fig. 16), rotate gear housing 180 degrees, so the switch is 90 degrees from the X-Lock Accessory Mount.
3. After adjusting the position of the gear housing, screw in and tighten the four screws.
4. The screw holding the guard release lever is longer than the other screws (Fig. 17), this long screw must stay with the guard release lever when re-attaching gear housing for the guard release button to operate properly.
5. To install proper guard follow instructions in the next section.

Fig. 16



Assembly

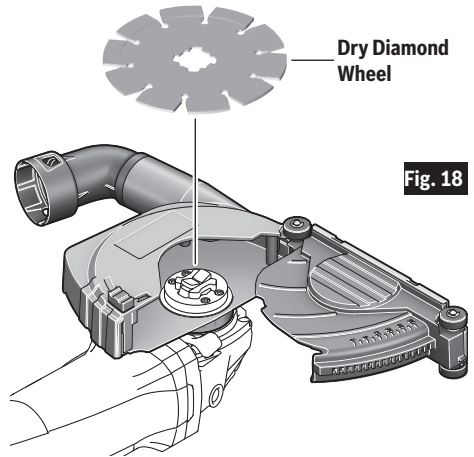
Installing Masonry Type 41/1A Cutting Guard

Follow all instructions provided with the masonry Type 41/1A cutting guard to install and use it with this grinder.

Installing Dry Diamond Wheel

Follow all instructions provided with the masonry Type 41/1A cutting guard to prepare it for installation of compatible accessories and operation.

To install Dry Diamond Wheel (Fig. 18) see instructions on page 17.



Inserting and Releasing Battery Pack

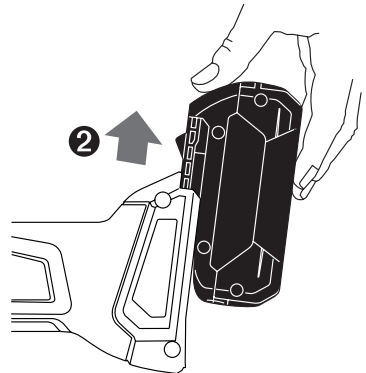
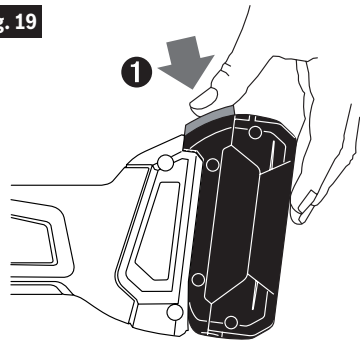
To insert the battery pack slide it into the housing until the battery pack locks into position.

Your tool is equipped with a secondary locking latch to prevent the battery pack from completely falling out of the handle, should it become loose due to vibration.

To remove the battery pack, press the battery pack release button and slide the battery pack forward (Fig. 19).

Press the battery pack release button again and slide the battery pack completely out of tool housing.

Fig. 19



Operating Instructions

Side Switch (Fig. 20)

⚠ WARNING Never leave the trigger locked “ON”. Before plugging the tool in, check that the trigger lock is “OFF”. Accidental start-ups could cause injury.

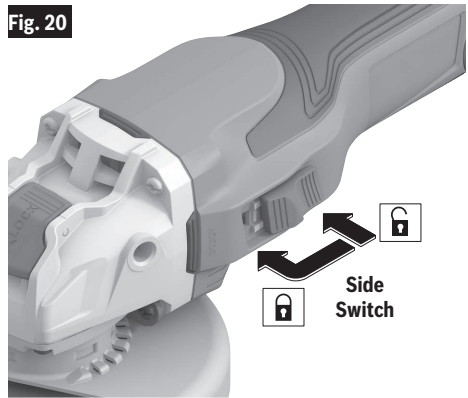
⚠ WARNING Be aware of the location and setting of the switch “Lock-ON” button. If the switch is locked “ON” during the use, be ready for emergency situations to switch it “OFF”.

⚠ WARNING Do not use the switch “Lock-ON” feature in situations where kickback is likely, such as when working into a corner. When the wheel binds, the tool will kick-back in opposite direction of wheel rotation and the release of the trigger “Lock-ON” may be difficult.

TO TURN TOOL ON, press the back of the switch and slide it forward towards the gear housing until it comes to a stop and the motor starts running. For Lock-ON, when the switch is in the ON position, press the front of the switch and release it. the switch should remain in the Lock-ON position and the tool will continue to run.

TO TURN TOOL “OFF”, press the rear portion of the switch. The switch is spring loaded and will return to the “OFF” position automatically.

Fig. 20



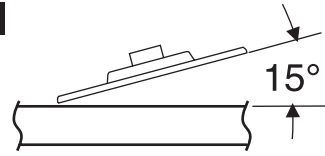
Operating Instructions

Metal Grinding

Grinding wheels should be carefully selected in order to use the grinder most efficiently. Wheels vary in type of abrasive, bond, hardness, grit size and structure. The correct wheel to use is determined by the job. Use disc grinding wheels for fast grinding of structural steel, heavy weld beads, steel casting, stainless steel and other ferrous metals.

1. Allow the tool to reach full speed before touching the tool to the work surface.
2. Apply minimum pressure to the work surface, allowing the tool to operate at high speed. Grinding rate is greatest when the tool operates at high speed.
3. Maintain a 10° to 15° angle between the tool and work surface, (Fig. 21).

Fig. 21



4. Continuously move the tool at a moderate speed to avoid creating gouges in the work surface.
5. Remove the tool from work surface before turning tool off. Allow the tool to stop rotating before laying it down.

Tip: When grinding with a new wheel be certain to grind while pulling tool backwards until the wheel becomes rounded on its edge. New wheels have sharp edges which tend to “bite” or cut into the work piece when pushed forward.

Metal Cutting

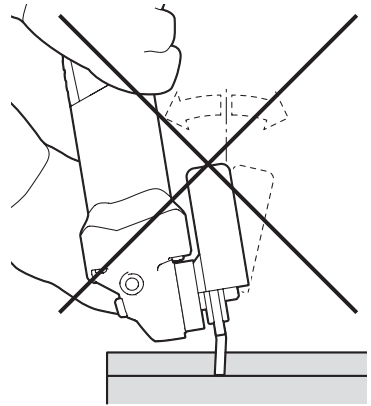
⚠WARNING A Type 41/1A wheel guard may not be included with this tool but is required when using a cutting wheel. Cutting with a Type 27 wheel guard may not provide the operator sufficient protection in the event of a wheel burst.

With this grinder it is possible to perform cutting of limited small stock such as metal tubes, piping or rebar. When cutting, work with moderate feed, adapted to the material being cut. When cutting profiles and square bar, it is best to start at the smallest cross section.

Always follow precautions for kickback.

1. Allow the tool to reach full speed before touching the tool to the work surface.
2. The tool should always be used in such way that the sparks are directed away from user.
3. Apply minimum pressure to the work surface, allowing the tool to operate

Fig. 22



at high speed. Cutting rate is greatest when the tool operates at high speed.

4. Do not exert side pressure onto the cutting disc. Do not tilt or oscillate the tool as wheel may burst, (Fig. 22).
5. Remove the tool from the work surface before turning the tool off. Allow the tool to stop rotating before laying it down.

Operating Instructions

Masonry / Concrete Cutting

⚠ WARNING Never pull the tool backward since blade will climb out of the material and KICK-BACK will occur.

With this grinder it is possible to perform cutting of concrete and masonry materials. When cutting, work with moderate feed, adapted to the material being cut.

Always follow precautions for kickback.

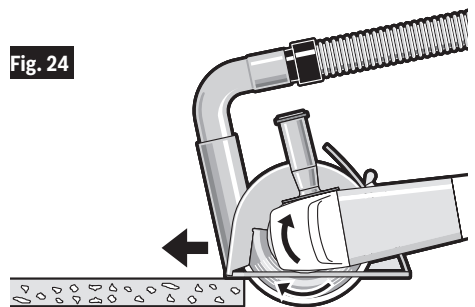
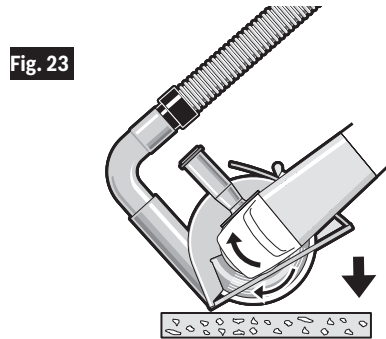
Operate the tool with a dust extraction system and personal dust protection, e.g. respirator, dust mask, etc. The vacuum used for this application must be approved for the extraction of masonry and concrete dust. Bosch sells suitable vacuum cleaners.

1. Allow the tool to reach full speed before touching the tool to the work surface.
2. If plunge cutting:
 - a. Tilt tool forward with wheel lined up with the cut line and hold the tool by the grinder body and the auxiliary handle (Fig. 23).
 - b. Gradually lower the rear of tool using the front end of the foot as the hinge point.
 - c. When the foot rests flat on the surface being cut, proceed cutting in forward direction to end of cut.
3. Always maintain contact between the guard foot and work piece.
4. Slide the tool forward at a moderate speed adapted to the material being cut. Always cut towards the dust extraction port to maximize dust extraction and reduce likelihood of kickback (Fig. 24).
5. Apply minimum pressure to the work surface, allowing the tool to operate at high speed. Cutting rate is greatest when the tool operates at high speed.
6. When the cut is completed, remove tool from work piece before turning off. Allow wheel to stop rotating before setting tool down.

Tip: When performing deep cuts, it is best to cut in several shallow passes. Each pass should be only to the segment depth of the wheel. Masonry dust is abrasive and may wear and weaken the segment bond.

When cutting especially hard material, e.g., concrete with high pebble content, the dry diamond wheel can overheat and become damaged. This is clearly indicated by circular sparking of the rotating dry diamond wheel. In this case, interrupt the cutting process and allow the dry diamond wheel to cool by running the tool for a short period of time at the maximum speed with no-load.

Noticeable decreasing work progress and circular sparking are indications of a dry diamond wheel that has become dull. Briefly cutting into abrasive materials (e.g. brick) can sharpen the wheel.



Operating Instructions

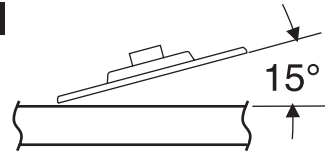
Sanding

Sanding discs range in grit from 16 (very coarse) to 180 (very fine). They also vary in size and spacing of grit.

OPEN COAT (type H) is used for soft materials and on paint and varnish, CLOSED COAT (type K) is used for metal, hardwood, stone, marble and other materials. To obtain best results, select sanding discs carefully. Many jobs require the use of several grit sizes and at times both open coat and closed coat discs are required to complete the job. See chart for application examples.

1. Allow the tool to reach full speed before touching the tool to the work surface.
2. Apply minimum pressure to the work surface, allowing the tool to operate at high speed. Sanding rate is greatest when the tool operates at high speed.

Fig. 25



3. Maintain a 10° to 15° angle between the tool and work surface, (Fig. 23).
4. Continuously move the tool at a moderate speed to avoid creating gouges in the work surface.
5. Remove the tool from work surface before turning tool off. Allow the tool to stop rotating before laying it down.

Tip: Guide the disc with crisscross strokes. Do not use a circular motion as this makes swirl marks.

Operation: Refinishing painted wood or metal surfaces.	
REMARKS	GRIT
To remove paint and to smooth surface irregularities.	Coarse 16-24-30
To smooth the rough sanding.	Medium 36-50-80
To remove scratches left by previous discs.	Fine 100-120
To smooth surfaces for painting, polishing or waxing.	Very Fine 150-180

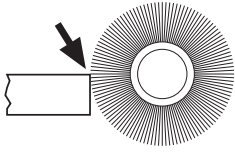
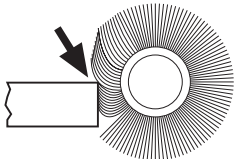
Operating Instructions

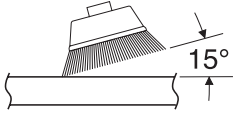
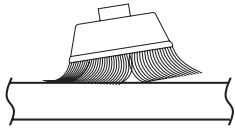
Wire Brush (Wheels and Cups)

Wire brushes are intended to “clean” structural steel, castings, sheet metal, stone, and concrete. They are used to remove rust, scale, and paint.

1. Allow the tool to reach full speed before touching the tool to the work surface.
2. Apply minimum pressure to the work surface, allowing the tool to operate at high speed.
3. Continuously move the tool at a moderate speed to avoid creating gouges in the work surface.
4. Remove the tool from work surface before turning tool off. Allow the tool to stop rotating before laying it down.

Tip: The tips of the brush do the work. Operate wire brushes with the lightest pressure so only the tips of the wire come in contact with the work piece. If heavier pressures are used, the wires will be overstressed, resulting in a wiping action and a shortened brush life due to wire fatigue. Applying the side or edge of the brush to the work piece will result in wire breakage and shortened brush life.

WIRE WHEEL BRUSH	
CORRECT: Wire tips doing the work.	
INCORRECT: Excessive pressure can cause wire breakage.	

WIRE CUP BRUSH	
CORRECT: Wire tips doing the work.	
INCORRECT: Excessive pressure can cause wire breakage.	

Operating Instructions

Using 'Bosch Toolbox' app

After pairing your tool with a mobile device you can adjust certain functions or check the status of the power tool using Bosch Toolbox app.

- A. Help button** – tapping this button will bring up help screen.
- B. Tool photo** – tapping on the photo will let you customize the photograph of the tool.
- C. Power tool battery charge status** – the number of green 'batteries' indicates the estimated charge level for the battery pack.
- D. Power tool nickname** – tapping on the 'pencil' icon will let you customize the tool nickname. You can also do it when changing the tool photo.
- E. Connection status bar** – Here you can see the connection (signal) strength indicated by vertical bars. You can use toggle switch to disconnect the tool from you mobile device.
- F. Factory Reset toggle switch** – you can reset tool settings back to factory default settings.
- G. Tool alerts** – tapping the 'alerts triangle' will display any alerts received from the tool.
- H. Info button** – displays tool information and specifications.



Maintenance

⚠ WARNING To avoid accidents, always disconnect the battery pack from tool before servicing or cleaning.

Service

⚠ WARNING NO USER SERVICE-ABLE PARTS INSIDE.

Preventive maintenance performed by unauthorized personnel may result in misplacing of internal wires and components which could cause serious hazard.

We recommend that all tool service be performed by a Bosch Factory Service Center or Authorized Bosch Service Station.

Batteries

Be alert for battery packs that are nearing their end of life. If you notice decreased tool performance or significantly shorter running time between charges then it is time to replace the battery pack. Failure to do so can cause the tool to operate improperly or damage the charger.

Tool Lubrication

Your Bosch tool has been properly lubricated and is ready for use.

D.C. Motors

The motor in your tool has been engineered for many hours of dependable service. To maintain peak efficiency of the motor, we recommend it be examined every six months. Only a genuine Bosch replacement motor specially designed for your tool should be used.

Cleaning

⚠ CAUTION Certain cleaning agents and solvents damage plastic parts. Some of these are: gasoline, carbon tetrachloride, chlorinated cleaning solvents, ammonia and household detergents that contain ammonia.

Ventilation openings and switch levers must be kept clean and free of foreign matter. Do not attempt to clean by inserting pointed objects through opening.

Accessory Storage & Maintenance

Store accessories in a cool dry place and avoid freezing. Before use check accessory for cracks and fractures, do not use if damage is suspected.

Accessories

⚠ WARNING The use of accessories not specified for use with the tool described in this manual may create a hazard.

⚠ WARNING Do not use Type 11 abrasive (cup) wheels with this tool. This tool is not designed for use with type 11 (cup) abrasive grinding wheels.





Standard Equipment	Optional Accessories
Type 27 Wheel Guard Side Handle	Type 41/1A Wheel Guard Type 41/1A Masonry Cutting Guard Grinding Wheel Backing Pad Hand Shield

Table des matières


<p>Symboles relatifs à la sécurité 32</p> <p>Avertissements généraux concernant la sécurité des outils électroportatifs..... 32</p> <p style="padding-left: 20px;">Sécurité du lieu de travail 32</p> <p style="padding-left: 20px;">Sécurité électrique..... 32</p> <p style="padding-left: 20px;">Sécurité personnelle 32</p> <p style="padding-left: 20px;">Utilisation et entretien des outils électroportatifs..... 33</p> <p style="padding-left: 20px;">Utilisation et entretien des outils à piles..... 33</p> <p>Avertissements généraux concernant la sécurité des outils électroportatifs..... 33</p> <p style="padding-left: 20px;">Entretien 34</p> <p>Avertissements spécifiques à la sécurité des outils électroportatifs 34</p> <p style="padding-left: 20px;">Avertissements habituels concernant la sécurité des opérations de rectification, de ponçage, de brossage métallique et de tronçonnage à la meule abrasive : 34</p> <p style="padding-left: 20px;">Avertissements sur les rebonds et effets associés 35</p> <p style="padding-left: 20px;">Avertissements spécifiques à la sécurité des opérations de rectification et de tronçonnage à la meule : 36</p> <p style="padding-left: 20px;">Avertissements supplémentaires spécifiques à la sécurité des opérations de tronçonnage à la meule abrasive : 36</p> <p style="padding-left: 20px;">Avertissements spécifiques à la sécurité des opérations de ponçage : 37</p> <p style="padding-left: 20px;">Avertissements spécifiques à la sécurité des opérations de brossage métallique : 37</p> <p>Avertissements supplémentaires concernant la sécurité 37</p> <p>Symboles 38</p> <p>Description fonctionnelle et spécifications..... 40</p> <p>Description fonctionnelle et spécifications..... 41</p> <p>Fonctionnement basique du système X-Lock 42</p> <p>Opération de freinage..... 43</p> <p>Assemblage..... 44</p> <p style="padding-left: 20px;">Insertion du module d'outil de connectivité Bluetooth..... 44</p> <p style="padding-left: 20px;">Installation de la poignée latérale..... 44</p>	<p style="padding-left: 20px;">Écran de protection de la main..... 44</p> <p style="padding-left: 20px;">Installation des dispositifs de protection des meules (Protège-meule de type 27 et de type 41/1A) 45</p> <p style="padding-left: 20px;">Montage et retrait des accessoires X-Lock..... 46</p> <p style="padding-left: 20px;">Montage de la meule abrasive de type 27 et du disque de ponçage 48</p> <p style="padding-left: 20px;">Montage de molettes abrasives de Types 41/1A 48</p> <p style="padding-left: 20px;">Montage d'un disque de support et d'un disque de ponçage 49</p> <p style="padding-left: 20px;">Montage de la brosse métallique en forme de coupelle..... 50</p> <p style="padding-left: 20px;">Montage de la brosse métallique..... 50</p> <p style="padding-left: 20px;">Montage du dispositif de protection pour un outil de coupe de maçonnerie 51</p> <p style="padding-left: 20px;">Installation du dispositif de protection pour la coupe de maçonnerie de type 41/1A..... 52</p> <p style="padding-left: 20px;">Installation de la meule diamantée pour coupe à sec 52</p> <p style="padding-left: 20px;">Insertion et retrait du bloc-piles 52</p> <p>Consignes de fonctionnement 53</p> <p style="padding-left: 20px;">Interrupteur coulissant (Fig. 20)..... 53</p> <p style="padding-left: 20px;">Meulage de métaux..... 54</p> <p style="padding-left: 20px;">Coupe de métaux..... 54</p> <p style="padding-left: 20px;">Coupe de maçonnerie/béton 55</p> <p style="padding-left: 20px;">Ponçage 56</p> <p style="padding-left: 20px;">Brosse métallique (meules et coupelles) 57</p> <p style="padding-left: 20px;">Utilisation de l'appli « Bosch toolbox » (boîte à outils Bosch) 58</p> <p>Entretien 59</p> <p style="padding-left: 20px;">Réparations..... 59</p> <p style="padding-left: 20px;">Piles 59</p> <p style="padding-left: 20px;">Graissage de l'outil 59</p> <p style="padding-left: 20px;">Moteurs C.C..... 59</p> <p style="padding-left: 20px;">Nettoyage..... 59</p> <p style="padding-left: 20px;">Rangement & maintenance des accessoires..... 59</p> <p>Accessoires..... 59</p>
---	--

Symboles relatifs à la sécurité

Les définitions ci-dessous décrivent le niveau de gravité pour chaque terme signalant un danger. Veuillez lire le mode d'emploi et lire la signification de ces symboles.

	C'est le symbole d'alerte relatif à la sécurité. Il est utilisé pour vous avertir de l'existence possible d'un danger de lésion corporelle. Obéissez à tous les messages relatifs à la sécurité qui suivent ce symbole pour éviter tout risque de blessure ou même de mort.
	DANGER indique une situation dangereuse qui, si elle n'est pas évitée, causera la mort d'une personne ou une blessure grave.
	AVERTISSEMENT indique une situation dangereuse qui, si elle n'est pas évitée, pourrait causer la mort d'une personne ou une blessure grave.
	MISE EN GARDE indique une situation dangereuse qui, si elle n'est pas évitée, pourrait causer une blessure légère ou modérée.

Avertissements généraux concernant la sécurité des outils électroportatifs

 **Veillez lire tous les avertissements et toutes les consignes de sécurité.** Si l'on n'observe pas ces avertissements et ces consignes de sécurité, il existe un risque de choc électrique, d'incendie et/ou de blessures corporelles graves.

CONSERVEZ TOUS LES AVERTISSEMENTS ET TOUTES LES CONSIGNES DE SÉCURITÉ POUR RÉFÉRENCE FUTURE.

Dans les avertissements, le terme « outil électroportatif » se rapporte à votre outil branché sur le secteur (avec fil) ou à votre outil alimenté par piles (sans fil).

Sécurité du lieu de travail

Maintenez le lieu de travail propre et bien éclairé. Les risques d'accident sont plus élevés quand on travaille dans un endroit encombré ou sombre.

N'utilisez pas d'outils électroportatifs dans des atmosphères explosives, comme par exemple en présence de gaz, de poussières ou de liquides inflammables. Les outils électroportatifs produisent des étincelles qui risquent d'enflammer les poussières ou les vapeurs.

Éloignez les enfants et les visiteurs quand vous vous servez d'un outil électroportatif. Vous risquez une perte de contrôle si on vous distrait.

Sécurité électrique

Les fiches des outils électroportatifs doivent correspondre à la prise. Il ne faut absolument jamais modifier la fiche. N'utilisez pas d'adaptateur de prise avec des outils électroportatifs munis d'une fiche de terre. Le risque de choc électrique est moindre si on utilise une fiche non modifiée sur une prise qui lui correspond.

Évitez tout contact du corps avec des surfaces reliées à la terre tels que tuyaux, radiateurs, gazinières ou réfrigérateurs. Le risque de choc électrique augmente si votre corps est relié à la terre.

N'exposez pas les outils électroportatifs à la pluie ou à l'humidité. Si de l'eau pénètre dans un outil électroportatif, le risque de choc électrique augmente.

Ne maltraitez pas le cordon. Ne vous en servez jamais pour transporter l'outil électroportatif, pour le tirer ou pour le débrancher. Éloignez le cordon de la chaleur, des huiles, des arêtes coupantes ou des pièces mobiles. Les cordons abîmés ou emmêlés augmentent les risques de choc électrique.

Si vous utilisez un outil électroportatif à l'extérieur, employez une rallonge conçue pour l'extérieur. Ces rallonges sont faites pour l'extérieur et réduisent le risque de choc électrique.

S'il est absolument nécessaire d'utiliser l'outil électroportatif dans un endroit humide, utilisez une alimentation protégée par un disjoncteur de fuite de terre (GFCI). L'utilisation d'un disjoncteur GFCI réduit les risques de choc électrique.

Sécurité personnelle

Restez concentré, faites attention à ce que vous faites, et servez-vous de votre bon sens lorsque vous utilisez un outil électroportatif. N'employez pas d'outils électroportatifs quand vous êtes fatigué ou sous l'emprise de drogues, d'alcool ou de médicaments. Quand on

Avertissements généraux concernant la sécurité des outils électroportatifs

utilise des outils électroportatifs, il suffit d'un moment d'inattention pour causer des blessures corporelles graves.

Utilisez des équipements de sécurité personnelle. Portez toujours une protection oculaire. Le port d'équipements de sécurité tels que des masques anti-poussières, des chaussures de sécurité antidérapantes, des casques de chantier et des protecteurs d'oreilles dans des conditions appropriées réduira le risque de blessure corporelle.

Évitez les démarrages intempestifs. Assurez-vous que l'interrupteur est dans la position arrêté (Off) avant de brancher l'outil dans une prise de courant et/ou un bloc-piles, de le ramasser ou de le transporter. Le transport d'un outil électroportatif avec le doigt sur la gâchette ou le branchement de cet outil quand l'interrupteur est en position de marche (ON) est une invite aux accidents.

Enlevez toutes les clés de réglage avant de mettre l'outil électroportatif en marche. Si on laisse une clé sur une pièce tournante de l'outil électroportatif, il y a risque de blessure corporelle.

Ne vous penchez pas. Conservez toujours une bonne assise et un bon équilibre. Ceci vous permettra de mieux maîtriser l'outil électroportatif dans des situations inattendues.

Habillez-vous de manière appropriée. Ne portez pas de vêtements amples ou de bijoux. Attachez les cheveux longs. N'approchez pas les cheveux, les vêtements ou les gants des pièces en mouvement. Les vêtements amples, les bijoux ou les cheveux longs risquent d'être happés par les pièces en mouvement.

Si l'outil est muni de dispositifs permettant le raccordement d'un système d'aspiration et de collecte des poussières, assurez-vous que ces dispositifs sont raccordés et utilisés correctement. L'utilisation d'un dépoussiéreur peut réduire les dangers associés à l'accumulation de poussière.

Utilisation et entretien des outils électroportatifs

Ne forcez pas sur l'outil électroportatif. Utilisez l'outil électroportatif qui convient à la tâche à effectuer. L'outil qui convient à la tâche fait un meilleur travail et est plus sûr à la vitesse pour lequel il a été conçu.

Ne vous servez pas de l'outil électroportatif si son interrupteur ne parvient pas à le mettre en marche ou à l'arrêter. Tout outil électroportatif qui ne peut pas être commandé par son interrupteur est dangereux et doit être réparé.

Débranchez la fiche de la prise secteur et/ou retirez le bloc-piles de l'outil électrique avant d'y apporter de

quelconques modifications, de changer d'accessoire ou de ranger l'outil électrique. De telles mesures de sécurité préventive réduisent le risque de démarrage intempestif de l'outil électroportatif.

Rangez les outils électroportatifs dont vous ne vous servez pas hors de portée des enfants et ne permettez pas à des personnes qui ne connaissent pas l'outil électroportatif ou qui ignorent ces consignes de s'en servir. Les outils électroportatifs sont dangereux dans les mains d'utilisateurs inexpérimentés.

Entretenez de façon appropriée les outils électriques. Assurez-vous que les pièces en mouvement sont bien alignées et qu'elles ne se coincent pas, qu'il n'y a pas de pièces cassées ou qu'il n'existe aucune situation pouvant affecter le fonctionnement de l'outil électrique. Si l'outil électrique est endommagé, faites-le réparer avant de vous en servir à nouveau. Les outils coupants entretenus correctement et dotés de bords tranchants affûtés sont moins susceptibles de coincer et sont plus faciles à maîtriser.

Maintenez les outils coupants affûtés et propres. Les outils coupants entretenus correctement et dotés de bords tranchants affûtés sont moins susceptibles de coincer et sont plus faciles à maîtriser.

Utilisez l'outil électroportatif, les accessoires et les embouts d'outil, etc. conformément à ces instructions, en tenant compte des conditions de travail et des travaux à réaliser. L'emploi d'outils électroportatifs pour des tâches différentes de celles pour lesquelles ils ont été prévus peut résulter en une situation dangereuse.

Utilisation et entretien des outils à piles

Rechargez les piles uniquement avec le chargeur spécifié par le fabricant. Un chargeur qui convient à un type de bloc-piles peut entraîner un risque d'incendie quand il est utilisé avec un autre bloc-piles.

Utilisez des outils électroportatifs uniquement avec les bloc-piles spécifiquement désignés pour eux. L'utilisation de tout autre bloc-piles peut créer un risque de blessures et d'incendie.

Lorsque le bloc-piles n'est pas utilisé, gardez-le à distances d'autres objets métalliques tels que des trombones, des pièces de monnaie, des clés, des clous, des vis ou de tout autre objet métallique pouvant faire une connexion entre une borne et une autre. Court-circuiter les bornes des piles peut causer des brûlures ou un incendie.

Dans des conditions abusives, du liquide peut être éjecté de la pile ; dans un tel cas, évitez tout contact avec ce liquide. Si un contact se produit accidentellement, rincez avec de l'eau. Si le liquide entre en contact

Avertissements généraux concernant la sécurité des outils électroportatifs

avec les yeux, consultez un médecin. Du liquide éjecté de la pile peut causer des irritations ou des brûlures.

N'utilisez pas un bloc-piles ou un outil qui est endommagé ou a été modifié. Des piles endommagées ou modifiées peuvent se comporter de façon imprévisible et causer un incendie ou une explosion, ou entraîner des blessures.

N'exposez pas un bloc-piles ou un outil à un incendie ou à une température excessive. L'exposition à un incendie ou à une température supérieure à 265° F (130° C) pourrait causer une explosion.

Suivez toutes les instructions relatives à la charge et ne chargez pas le bloc-piles ou l'outil en dehors de la plage de température indiquée dans les instructions.

Une charge dans des conditions appropriées ou à des températures en dehors de la plage spécifiée pourrait endommager les piles et augmenter le risque d'incendie.

Entretien

Faites réparer votre outil électroportatif par un agent de service qualifié n'utilisant que des pièces de rechange identiques. Ceci assure que la sécurité de l'outil électroportatif est préservée.

Ne tentez jamais de réparer des blocs-piles endommagés. La réparation de blocs-piles ne doit être effectuée que par le fabricant ou un prestataire de services agréé.

Avertissements spécifiques à la sécurité des outils électroportatifs

Avertissements habituels concernant la sécurité des opérations de rectification, de ponçage, de brossage métallique et de tronçonnage à la meule abrasive :

Cet outil électroportatif a été conçu pour fonctionner comme un outil de rectification, de ponçage, de brossage métallique ou de tronçonnage. Veuillez lire toute la documentation relative à la sécurité qui a été fournie avec cet outil électroportatif, notamment, les avertissements, les consignes, les illustrations et les spécifications. Si l'on n'observe pas toutes les consignes indiquées ci-dessous, il existe un risque de choc électrique, d'incendie et/ou de blessures corporelles graves.

Il n'est pas recommandé de réaliser des opérations telles que le polissage avec cet outil électrique. L'usage de l'outil au cours de travaux pour lesquels il n'a pas été conçu risque de présenter un danger et de causer des blessures corporelles.

N'utilisez pas d'accessoires qui n'ont pas été spécifiquement conçus et recommandés par le fabricant de l'outil. Le simple fait qu'un accessoire puisse être attaché à votre outil électroportatif ne garantit pas un fonctionnement sans danger.

La vitesse nominale de l'accessoire doit être au moins égale à la vitesse maximum indiquée sur l'outil électroportatif. Les accessoires que l'on fait tourner à une vitesse supérieure à leur VITESSE NOMINALE peuvent se casser et voler en éclats.

Le diamètre externe et l'épaisseur de votre accessoire doivent être dans les limites de capacité de votre outil électroportatif. Des accessoires de la mauvaise taille ne peuvent pas être adéquatement protégés ou contrôlés.

Le montage fileté des accessoires doit correspondre au filet de la broche de la meuleuse. Pour les accessoires montés à l'aide de brides de fixation, le trou de l'arbre de l'accessoire doit correspondre au diamètre de la bride de fixation qui doit être introduite dans celui-ci. Les accessoires qui ne correspondent pas au petit matériel de montage de l'outil électrique fonctionneront de manière déséquilibrée, vibreront de façon excessive et risquent de causer une perte de contrôle de l'outil.

N'utilisez pas d'accessoires endommagés. Inspectez vos accessoires avant chaque utilisation : vérifiez par exemple que votre meule abrasive n'est ni fêlée, ni ébréchée, que votre disque d'appui n'est ni fêlé, ni déchiré, ni trop usé et que votre brosse métallique ne contient pas de fils cassés ou détachés. Si vous laissez tomber l'outil ou l'accessoire, vérifiez que ce dernier n'est pas endommagé ou remplacez-le par un accessoire en bon état. Après l'inspection et l'installation d'un accessoire, tenez-vous à distance du plan de l'accessoire en mouvement et demandez à toute personne présente de faire de même, et faites fonctionner l'outil à sa vitesse à vide maximale pendant une minute. Si un accessoire est endommagé, il se cassera habituellement en plusieurs morceaux pendant cette période de test.

Portez des équipements de protection personnelle. Suivant le travail effectué, portez un masque de protection, des lunettes à coques ou des lunettes de sécurité. S'il y a lieu, portez un masque antipoussières, des dispositifs de protection de l'ouïe, des gants et un tablier d'atelier capable d'arrêter des petits fragments abrasifs ou des fragments de la pièce. Les dispositifs de protection des yeux doivent pouvoir arrêter des débris volants produits par diverses opérations. Le masque antipoussières ou le respirateur doit être capable de filtrer des particules gé-

Avertissements spécifiques à la sécurité des outils électroportatifs

nérées par votre travail. Une exposition prolongée à un bruit de haute intensité peut entraîner une perte de l'ouïe.

Gardez toute personne présente à une distance sûre de l'aire de travail. Toute personne qui entre dans l'aire de travail doit porter des équipements de protection personnelle. Des fragments d'une pièce ou d'un accessoire peuvent être projetés et causer des blessures au-delà de l'aire d'opération immédiate.

Tenez seulement l'outil électroportatif par ses surfaces de préhension isolées lorsque vous effectuez une opération lors de laquelle l'accessoire de coupe peut entrer en contact avec des câbles cachés. L'entrée en contact d'un accessoire de coupe avec un fil sous tension pourrait rendre conductrices des parties en métal exposées de l'outil électroportatif et causer un choc électrique à l'opérateur.

Positionnez le cordon hors de la trajectoire de l'accessoire en mouvement. Si vous perdez contrôle de l'outil, le cordon d'alimentation risque d'être coupé ou de s'accrocher et votre main ou votre bras risque d'être tiré jusqu'à ce qu'il entre en contact avec l'accessoire en mouvement.

Ne posez jamais l'outil électroportatif tant que l'accessoire n'a pas complètement cessé de tourner. L'accessoire en mouvement risque d'accrocher la surface sur laquelle il est posé et de vous faire perdre contrôle de l'outil.

Ne laissez pas l'outil électroportatif en marche quand vous le portez sur le côté. Un contact accidentel avec l'accessoire en mouvement risquerait d'accrocher vos vêtements et d'attirer l'accessoire vers votre corps.

Nettoyez régulièrement les prises d'air de l'outil électroportatif. Le ventilateur du moteur attirera de la poussière à l'intérieur du boîtier de l'outil et une accumulation excessive de poudre métallique risque de causer des dangers électriques.

Ne faites pas fonctionner l'outil électroportatif à proximité de matériaux inflammables. Des étincelles pourraient enflammer ces matériaux.

N'utilisez pas d'accessoires qui exigent des liquides de refroidissement. L'utilisation d'eau ou d'autres liquides de refroidissement peut entraîner une électrocution ou un choc électrique.

Utilisez seulement des accessoires X-LOCK de Bosch ou sous licence de Bosch. Les accessoires incompatibles peuvent ne pas être fixés correctement, ce qui peut entraîner des blessures et/ou des dommages matériels.

Assurez-vous que la surface supérieure de la bride de l'accessoire n'est pas au-dessus du sommet de la jauge de hauteur de l'accessoire pour s'assurer qu'elle est bien sécurisée. Les accessoires qui se trouvent au-

dessus de la jauge de hauteur de l'accessoire peuvent ne pas être sécurisés correctement et se détacher de l'outil, causant des blessures et/ou des dommages matériels.

Inspectez toujours le mécanisme de support de l'accessoire et la bride de fixation de l'accessoire avant toute utilisation. N'utilisez pas l'outil ou l'accessoire si le mécanisme de support de l'accessoire ou l'accessoire est endommagé ou déformé. Les accessoires qui ne sont pas complètement sécurisés peuvent causer des blessures et/ou des dommages matériels.

Inspectez les surfaces de fixation de l'accessoire et l'outil pour vous assurer qu'il n'y a pas de corps étrangers, et retirez-les s'il y en a qui se sont accumulés. La présence de matériaux indésirables pourrait réduire l'efficacité de la fixation et causer des blessures et/ou des dommages matériels.

N'actionnez jamais un levier de libération d'un accessoire X-Lock pendant que cet accessoire est en mouvement. Assurez-vous que l'accessoire s'est complètement arrêté avant de le retirer. L'éjection d'un accessoire encore en train de tourner pourrait causer des blessures et/ou des dommages matériels.

Avertissements sur les rebonds et effets associés

L'effet de rebond est une réaction soudaine au pincement ou à l'accrochage d'une meule, d'un disque d'appui, d'une brosse ou de tout autre accessoire pivotant. Un tel pincement ou accrochage fait rapidement caler l'accessoire en mouvement, ce qui force l'outil électroportatif hors de contrôle à aller dans la direction opposée à celle de la rotation de l'accessoire à l'emplacement du blocage.

Par exemple, si une meule abrasive est accrochée ou pincée par la pièce, le bord de la meule à l'emplacement du pinçage peut creuser la surface du matériau et forcer la meule à se « hisser » sur la pièce ou à être éjectée. La meule peut alors sauter soit en direction de l'utilisateur, soit dans la direction opposée, en fonction de la direction du mouvement de la meule à l'emplacement du pincement. Les meules abrasives peuvent également se briser dans de telles conditions.

Les rebonds résultent d'une mauvaise utilisation de l'outil électroportatif et/ou de procédures ou de conditions d'utilisation incorrectes, et ils peuvent être évités en prenant les précautions nécessaires indiquées ci-dessous :

Maintenez une prise ferme sur l'outil électroportatif et positionnez votre bras et le reste de votre corps de façon à vous permettre de résister aux forces de rebond. Utilisez toujours la poignée auxiliaire, quand elle vous a été fournie, pour un contrôle maximum du rebond ou de la réaction de couple qui se produit pendant la mise en marche de l'outil. L'utilisateur peut contrôler les réactions

Avertissements spécifiques à la sécurité des outils électroportatifs

de couple ou les forces de rebond en prenant les précautions nécessaires.

Ne placez jamais votre main à proximité de l'accessoire en mouvement. L'accessoire risquerait de rebondir sur votre main.

Ne vous placez jamais dans la zone où l'outil électroportatif se dirigerait si un rebond se produisait. L'effet de rebond projetterait l'outil dans la direction opposée à celle du mouvement de la meule à l'emplacement de l'accrochage.

Faites particulièrement attention quand vous travaillez des coins ou des arêtes tranchantes, etc. Évitez de faire rebondir ou d'accrocher l'accessoire. Les coins, les arêtes tranchantes et les rebondissements ont tendance à faire accrocher l'accessoire en mouvement et à entraîner une perte de contrôle ou un rebond.

Ne fixez pas une lame à sculpter le bois de chaîne coupante ou une lame de scie dentée sur l'outil. De telles lames causent fréquemment des rebonds et des pertes de contrôle.

Avertissements spécifiques à la sécurité des opérations de rectification et de tronçonnage à la meule :

N'utilisez que des types de meules qui sont recommandées pour votre outil électroportatif et que des protecteurs conçus pour la meule sélectionnée. Les meules pour lesquelles l'outil n'a pas été conçu ne peuvent pas être adéquatement protégées et sont par conséquent dangereuses.

La surface de meulage des meules déprimées au centre doit être montée au-dessous du plan de la lèvres de protection. Une meule montée de façon incorrecte qui dépasserait à travers le plan de la lèvres de protection ne peut pas être protégée de façon adéquate.

Le protecteur doit être fermement fixé à l'outil électroportatif et positionné pour un maximum de sécurité en s'arrangeant pour que la plus petite portion possible de meule exposée soit tournée vers l'utilisateur. Le protecteur aide à protéger l'utilisateur contre des fragments d'une meule cassée, contre un contact accidentel avec la meule et des étincelles qui pourraient enflammer les vêtements.

Les meules ne doivent être utilisées que pour des opérations pour lesquelles elles ont été conçues. Par exemple : ne meulez pas avec le côté de la meule à tronçonner. Les meules à tronçonner sont conçues pour une rectification périphérique et l'application de forces latérales à ces meules peuvent les faire éclater.

Utilisez toujours des brides non endommagées d'une taille et d'une forme qui conviennent à la meule sélec-

tionnée. Les brides de meule appropriées soutiennent la meule, réduisant ainsi la possibilité que la meule se casse. Les brides pour meules de tronçonnage peuvent être différentes des brides pour d'autres types de meules.

N'utilisez pas de meules usées provenant d'outils électroportatifs de plus grande taille. Une meule qui a été conçue pour un outil électroportatif de grande taille n'est pas compatible avec un outil plus petit qui tourne à une plus grande vitesse, et elle risque d'éclater si elle est posée sur ce dernier.

Avertissements supplémentaires spécifiques à la sécurité des opérations de tronçonnage à la meule abrasive :

Ne bloquez pas la meule à tronçonner et n'appliquez pas une pression excessive sur celle-ci. Ne tentez pas de réaliser une coupe d'une profondeur excessive. La surcharge de la meule augmente sa susceptibilité à la torsion et au blocage pendant la coupe et la possibilité d'un effet de rebond ou d'une cassure de la meule.

Ne positionnez pas votre corps de façon à ce qu'il soit aligné avec la meule pivotante et derrière celle-ci. Quand la meule, à l'emplacement de l'opération, se déplace dans la direction opposée à celle de votre corps, le rebond potentiel risque de projeter la meule en mouvement ainsi que l'outil électroportatif directement sur vous.

Quand la meule se coince, ou quand vous interrompez une coupe pour une raison quelconque, mettez l'outil électroportatif à l'arrêt et tenez-le sans bouger jusqu'à ce que la meule s'arrête complètement. N'essayez jamais de retirer la meule de tronçonnage au milieu d'une coupe tant que la meule tourne toujours; cela risquerait de provoquer un effet de rebond. Trouvez la cause du coincage de la meule et prenez les mesures nécessaires pour y remédier.

Ne recommencez pas votre opération de coupe en plaçant l'outil directement dans la pièce. Permettez à la meule d'atteindre sa vitesse optimale avant de la réintroduire prudemment dans la pièce. Si vous remettez l'outil en marche directement dans la pièce, la meule risque de se bloquer, de « grimper » sur la pièce ou de faire un rebond.

Soutenez les panneaux ou toute pièce surdimensionnée afin de réduire le plus possible le risque de pincement ou de rebond de la meule. Les pièces de grande taille ont tendance à fléchir sous leur propre poids. Des supports doivent être placés sous la pièce à proximité de la ligne de coupe et près du bord de la pièce des deux côtés de la meule.

Faites particulièrement attention quand vous exécutez une coupe « en poche » dans des murs déjà en place ou dans d'autres endroits cachés. Il se peut que la meule

Avertissements spécifiques à la sécurité des outils électroportatifs

saillante coupe des tuyaux de gaz, des conduites d'eau, des fils électriques ou des objets qui risquent d'entraîner un rebond.

N'utilisez pas de meules abrasives de type 1 conçues pour le meulage droit.

N'essayez pas de couper des feuilles de métal ou des pièces de grande taille avec cette machine, car elle n'a pas été conçue pour servir de machine réservée au tronçonnage.

Avertissements spécifiques à la sécurité des opérations de ponçage :

N'utilisez pas de papier à disque de ponçage surdimensionné. Suivez les recommandations du fabricant quand vous choisissez votre papier de ponçage. Un papier de ponçage trop grand qui dépasse du patin de pon-

çage représente un danger de laceration et peut entraîner un blocage, une déchirure du disque ou un rebond.

Avertissements spécifiques à la sécurité des opérations de brosse métallique :

Soyez conscient du fait que la brosse éjecte des soies métalliques pendant son opération normale. Ne surchargez pas les fils métalliques en appliquant une charge excessive sur la brosse. Les soies métalliques peuvent facilement pénétrer dans des vêtements légers et/ou dans la peau.

Bien qu'il soit recommandé d'utiliser un protecteur pour le brosse métallique, ne laissez pas la meule ou la brosse métallique interférer avec le protecteur. Le diamètre de la meule ou de la brosse métallique risque d'augmenter à cause de la charge de travail et des forces centrifuges.

Avertissements supplémentaires concernant la sécurité

N'utilisez pas un outil conçu uniquement pour le C.A. sur une alimentation en C.C. Même si l'outil semble fonctionner, les composants électriques d'un outil prévu pour le C.A. tomberont probablement en panne et risquent de créer un danger pour l'utilisateur.

Maintenez les poignées sèches et exemptes d'huile et de graisse. On ne pas maîtriser un outil électroportatif en toute sécurité quand on a les mains glissantes.

Utilisez des brides ou d'autres moyens pratiques de brider ou de supporter la pièce sur une plate-forme stable. Tenir la pièce à la main ou contre le corps est instable et risque de résulter en une perte de contrôle.

Créez un agenda d'entretien périodique pour votre outil. Quand vous nettoyez un outil, faites attention de n'en démonter aucune pièce car il est toujours possible de mal remonter ou de pincer les fils internes ou de remonter incorrectement les ressorts de rappel des capots de protection. Certains agents de nettoyage tels que l'essence, le tétrachlorure de carbone, l'ammoniaque, etc. risquent d'abîmer les plastiques.

N'utilisez pas d'aspirateur ou d'autre système de ramassage de la poussière lorsque vous coupez du métal. Des étincelles provenant de la coupe du métal pourraient causer l'inflammation des poussières ainsi ramassées.






⚠ AVERTISSEMENT Les travaux à la machine tel que ponçage, sciage, meulage, perçage et autres travaux du bâtiment peuvent créer des poussières contenant des produits chimiques qui sont des causes reconnues de cancer, de malformation congénitale ou d'autres problèmes reproductifs. Ces produits chimiques sont, par exemple :

- Le plomb provenant des peintures à base de plomb,
- Les cristaux de silices provenant des briques et du ciment et d'autres produits de maçonnerie, et
- L'arsenic et le chrome provenant des bois traités chimiquement.

Le niveau de risque dû à cette exposition varie avec la fréquence de ces types de travaux. Pour réduire l'exposition à ces produits chimiques, il faut travailler dans un lieu bien ventilé et porter un équipement de sécurité approprié tel que certains masques à poussière conçus spécialement pour filtrer les particules microscopiques.

Symboles

IMPORTANT : Certains des symboles suivants peuvent être utilisés sur votre outil. Veuillez les étudier et apprendre leur signification. Une interprétation appropriée de ces symboles vous permettra d'utiliser l'outil de façon plus efficace et plus sûre.

Symbole	Désignation / Explication
V	Volts (voltage)
A	Ampères (courant)
Hz	Hertz (fréquence, cycles par seconde)
W	Watt (puissance)
kg	Kilogrammes (poids)
min	Minutes (temps)
s	Seconds (temps)
∅	Diamètre (taille des mèches de perceuse, meules, etc.)
n_0	Vitesse à vide (vitesse de rotation, à vide)
n	Vitesse nominale (vitesse maximum pouvant être atteinte)
.../min	Tours ou mouvement alternatif par minute (tours, coups, vitesse en surface, orbites, etc., par minute)
0	Position d'arrêt (vitesse zéro, couple zéro ...)
1, 2, 3, ... I, II, III,	Réglages du sélecteur (Réglages de vitesse, de couple ou de position. Un nombre plus élevé signifie une vitesse plus grande)
	Sélecteur variable à l'infini avec arrêt (La vitesse augmente depuis le réglage 0)
	Flèche (action dans la direction de la flèche)
~	Courant alternatif (type ou caractéristique du courant)
≡	Courant continu (type ou caractéristique du courant)
⎓	Courant alternatif ou continu (type ou caractéristique du courant)
	Construction classe II (désigne des outils construits avec double isolation)
	Borne de terre (borne de mise à la terre)
	Symbole d'avertissement (Alerte l'utilisateur aux messages d'avertissement)

Symboles

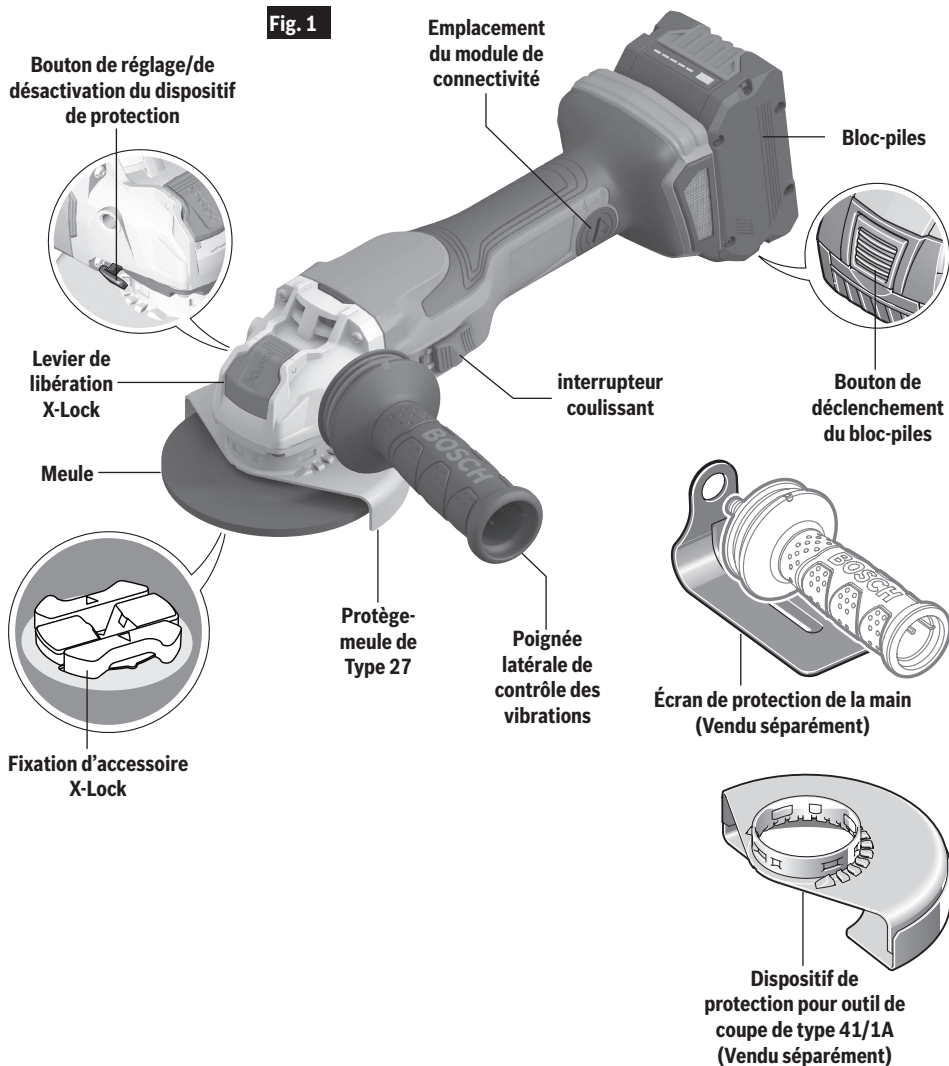
IMPORTANT : Certains des symboles suivants peuvent être utilisés sur votre outil. Veuillez les étudier et apprendre leur signification. Une interprétation appropriée de ces symboles vous permettra d'utiliser l'outil de façon plus efficace et plus sûre.

Symbole	Désignation / Explication
	Désigne le programme de recyclage des piles Li-ion.
	Alerte l'utilisateur pour lire le mode d'emploi.
	Alerte l'utilisateur pour porter des lunettes de sécurité.
	Alerte l'utilisateur pour porter une protection respiratoire
	Alerte l'utilisateur pour porter des protecteurs d'oreilles
	Ce symbole signifie que cet outil est approuvé par Underwriters Laboratories.
	Ce symbole indique que ce composant est reconnu par Underwriters Laboratories.
	Ce symbole signifie que cet outil est approuvé par Underwriters Laboratories selon les normes des États-Unis et du Canada.
	Ce symbole signifie que cet outil est approuvé par l'Association canadienne de normalisation.
	Ce symbole signifie que cet outil est approuvé par l'Association canadienne de normalisation selon les normes des États-Unis et du Canada.
	Ce symbole signifie que cet outil est approuvé par Intertek Testing Services selon les normes des États-Unis et du Canada.
	Ce symbole signifie que cet outil se conforme aux normes mexicaines NOM.

Description fonctionnelle et spécifications

Meuleuses d'angles avec interrupteur coulissant GWX18V-13C

Fig. 1



Bloc-piles/chargeurs

Veillez vous référer à la liste des piles/chargeurs accompagnant votre outil.

REMARQUE : Pour spécifications de l'outil, reportez-vous à la plaque signalétique de votre outil.

Description fonctionnelle et spécifications

Modèle N°	GWX18V-13C
Piles	18 V (série Bosch)
Vitesse nominale	n 8,500/min
Interrupteur	Interrupteur coulissant
Frein pour rotation excentrée	Inclus
Module d'outil de connectivité Bluetooth	Vendu séparément
Ø max. de la meule	6" (150 mm)
Épaisseur de la meule	1/4" (6 mm)
Ø max. du disque de coupe	6" (150 mm)
Ø max. du disque de ponçage	6" (150 mm)
Ø max. du disque à volets abrasifs	6" (150 mm)
Ø max. de la brosse métallique circulaire	4" (102 mm)
Ø max. de la brosse forme coupelle	4" (100 mm)

Applications

AVERTISSEMENT

N'utilisez pas de meules abrasives de type 11 (boisseau) avec cet outil. Cet outil n'est pas conçu pour emploi avec des meules abrasives de type 11 (boisseau).

Modèle N°	GWX18-13C
Meulage de métaux (Type 27)	X
Meulage de métaux (Type 11)	N
Meulage de métaux (Type 1)	N
Coupe de métaux (Type 41/1A)	O
Disque à volet	X
Découpe du béton	O
Ponçage	O
Passage à la brosse métallique (meule)	X
Passage à la brosse métallique (boisseau)	O

X = L'outil est muni d'accessoires permettant d'exécuter cette application.

O = L'outil peut utiliser des accessoires en option permettant d'exécuter cette application.

N = L'outil n'est pas capable d'exécuter cette application.

La vitesse nominale de l'accessoire doit être égale ou supérieure à celle de l'outil. Il ne faut pas dépasser le diamètre de meule recommandé.

Fonctionnement basique du système X-Lock

Le système X-Lock est une combinaison de supports d'outils et d'accessoires brevetés qui permettent à l'opérateur de changer rapidement les accessoires. Disponible sur certaines meuleuses d'angle Bosch, le système X-Lock permet l'installation et le retrait sans outil des accessoires de la meuleuse (disques de meulage, disques de coupe, brosses métalliques, disques de ponçage, etc.). Le système X-Lock est un remplacement pour la méthode traditionnelle d'attachement des accessoires d'une meuleuse.

Les meuleuses traditionnelles ont des broches filetées de 5/8-11 po qui nécessitent un écrou et une bride de soutien pour maintenir l'accessoire en place. Pour remplacer un accessoire, une clé est utilisée pour desserrer ou serrer l'écrou. Les meuleuses munies d'un système X-Lock comprennent un mécanisme d'interface ne nécessitant pas d'outil et éliminant le besoin de broches, de brides de support et d'écrous de verrouillage.

L'interface X-Lock a un composant du côté outil – le support de montage d'accessoire X-Lock, et un composant du côté accessoire – typiquement un embout de montage d'accessoire X-Lock. Les deux composants ont des contours d'alignement clavetés, qui aident à assurer le montage correct de l'accessoire sur l'outil.

Le support de montage d'accessoire X-Lock se compose d'une base ronde, de jauges de hauteur de serrage et d'un mécanisme de verrouillage qui active les languettes de fixation. Les meuleuses équipées du système X-Lock ne peuvent utiliser que des accessoires X-Lock étant donné que l'embout de montage X-Lock spécialement conçu épouse les contours du support de montage d'accessoire X-Lock sur l'outil (voir Figure 2). Cependant, certains accessoires X-Lock sont rétrocompatibles avec les modèles traditionnels des broches filetées.

La fixation de l'accessoire X-Lock au support de montage d'accessoire X-Lock sur la meuleuse nécessite l'alignement de l'embout de montage sur le mécanisme de montage de l'accessoire. Une fois que l'embout de montage de l'accessoire X-Lock est aligné et pressé contre la base du support de montage d'accessoire X-Lock, le mécanisme de verrouillage est activé. Ceci a pour effet que les deux languettes de fixation opposées verrouillent l'accessoire en le sécurisant sur la meuleuse. Un « dé clic » audible en combinaison avec l'alignement de la surface plate de l'embout de montage de l'accessoire X-Lock sur les jauges de hauteur de fixation signifie que l'accessoire est fermement assujéti à l'outil. Pour retirer l'accessoire, il faut actionner un levier sur la tête d'engrenage de la meuleuse qui libère les languettes de verrouillage, ce qui permet de détacher l'accessoire de l'outil. (Fig. 3)

Fig. 2

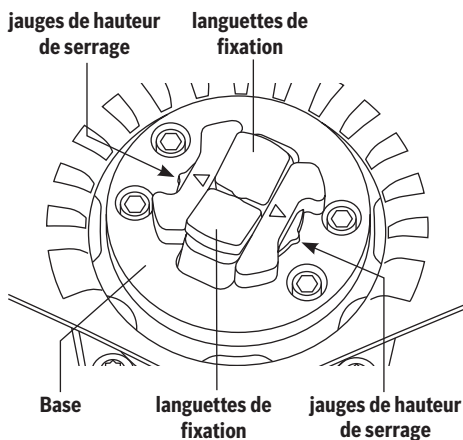
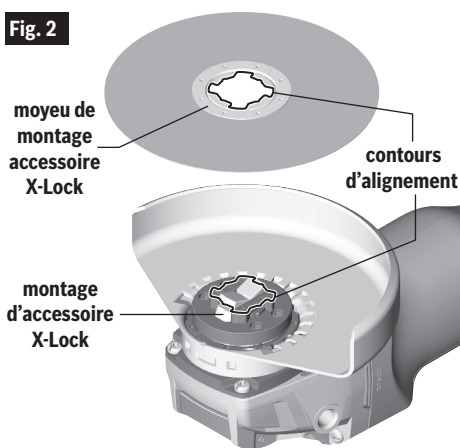
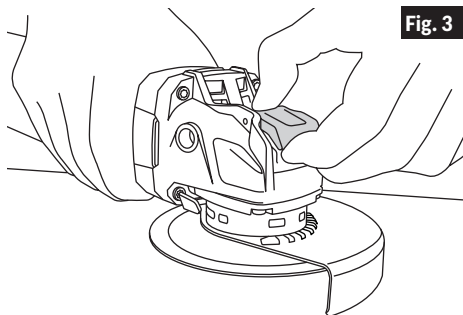


Fig. 3



Opération de freinage

⚠ AVERTISSEMENT Attendez que l'accessoire de la meuleuse s'arrête complètement avant de poser l'outil. L'action de freinage de cette meuleuse n'est pas conçue pour servir de fonction de sécurité. L'utilisation du dispositif de protection approprié lorsque vous utilisez la meuleuse est votre meilleure protection contre un contact accidentel avec un accessoire en train de tourner. Un contact accidentel avec un accessoire en train de tourner peut causer des dommages matériels et/ou des blessures.

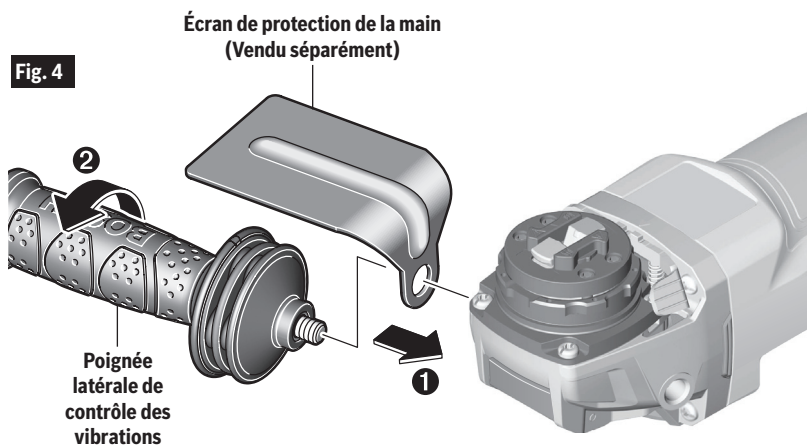
⚠ AVERTISSEMENT Assurez-vous que vous connaissez l'état de charge de votre pile. L'action de freinage électrique n'est déclenchée QUE par le relâchement de l'interrupteur à gâchette, et seulement dans un outil pouvant être connecté à une source d'alimentation électrique. En cas de perte d'alimentation électrique en conséquence d'une pile déchargée ou pour toute autre cause, le frein électrique ne fonctionnera pas et le moteur ralentira progressivement. Un arrêt inattendu peut causer des dommages matériels et/ou des blessures.

Votre meuleuse est pourvue d'un frein électrique automatique qui est conçu pour arrêter la rotation de l'accessoire au bout d'environ deux (2) secondes après le relâchement de l'interrupteur à gâchette. Cette fonctionnalité améliore la productivité sur le lieu de travail.

Le freinage commence dès que l'alimentation électrique est désactivée. Le frein nécessite une pile chargée pour pouvoir fonctionner. Le temps nécessaire pour causer l'arrêt de l'accessoire dépendra, entre autres facteurs, de l'accessoire utilisé et du nombre de mouvements d'actionnement du frein. Le frein électrique de votre meuleuse a été conçu pour être extrêmement fiable, mais des circonstances inattendues telles que de la contamination ou une défaillance de composants du moteur pourraient empêcher le frein de fonctionner. Si l'outil fonctionne mais que le frein n'arrête pas systématiquement l'accessoire en deux secondes environ, n'utilisez PAS la meuleuse et faites-la réparer par un centre de service usine Bosch ou par un centre de réparation Bosch agréé.

Assemblage

⚠ AVERTISSEMENT Débranchez la fiche de la prise secteur et/ou retirez le bloc-piles de l'outil électrique (s'il est amovible) avant d'y apporter de quelconques modifications, de changer d'accessoire ou de ranger l'outil électrique. De telles mesures de sécurité préventives réduisent le risque de déclenchement accidentel de l'outil électrique.



Insertion du module d'outil de connectivité Bluetooth

Lisez les instructions d'utilisation correspondantes pour toutes informations sur le module d'outil de connectivité Bluetooth®.

Installation de la poignée latérale

La poignée latérale est utilisée pour contrôler et équilibrer l'outil. Enfilez fermement la poignée d'un côté ou de l'autre du boîtier de transmission, selon votre préférence personnelle, pour assurer le maximum de confort et en fonction de l'opération effectuée. La poignée doit toujours être installée sur le côté de l'outil où se trouve le dispositif de protection (Fig. 4). Utilisez la poignée latérale pour contrôler l'outil facilement et en toute sécurité.

Écran de protection de la main

L'écran de protection de la main doit être utilisé avec des disques de support, des disques de ponçage et des brosses métalliques afin de tenir les doigts et la main à bonne distance de la surface de travail, des bords tranchants, des ébarbures et des débris. Lorsque vous utilisez l'accessoire de protection de la main, insérez la poignée latérale à travers le trou de l'écran de protection, puis enfilez-la dans le boîtier (Fig. 4). Veillez à ce que l'écran de protection de la main soit placé entre la main et le disque de support, le disque de ponçage ou la brosse métallique.

Installation des dispositifs de protection des meules (Protège-meule de type 27 et de type 41/1A)

⚠ AVERTISSEMENT Un protège-meule de type 27 doit être utilisé avec toutes les meules abrasives, disques abrasifs à surface agglomérée, brosses métalliques et autres meules. L'outil ne peut être utilisé sans dispositif de protection que lors d'opérations de ponçage avec des disques de ponçage conventionnels.

Fixation du dispositif de protection (Fig. 5)

1. Débranchez l'outil de la source d'alimentation électrique.
2. Positionnez le dispositif de protection approprié sur la monture du collier de façon à ce que les flèches sur le dispositif de protection et la monture de collier soient alignées.
3. Faites tourner le dispositif de protection de 90 degrés dans le sens des aiguilles d'une montre, jusqu'à ce que vous entendiez le dé clic indiquant qu'il est bien en place.
4. Ajustez le dispositif de protection en appuyant sur le bouton de libération du dispositif et faites-le tourner jusqu'à la position désirée. Positionnez toujours le protège-meule entre l'opérateur et l'ouvrage, et dirigez les étincelles dans le sens opposé à celui de l'opérateur, Fig. 6.
5. Laissez le bouton de libération du dispositif de protection revenir dans sa position normale.

Retrait du dispositif de protection

1. Appuyez sur le bouton de libération du dispositif de protection et faites tourner le dispositif de protection jusqu'à ce que les flèches sur le dispositif de protection et la monture de collier soient alignées (Fig. 5).
2. Retirez le dispositif de protection de la monture du collier.

Fig. 5

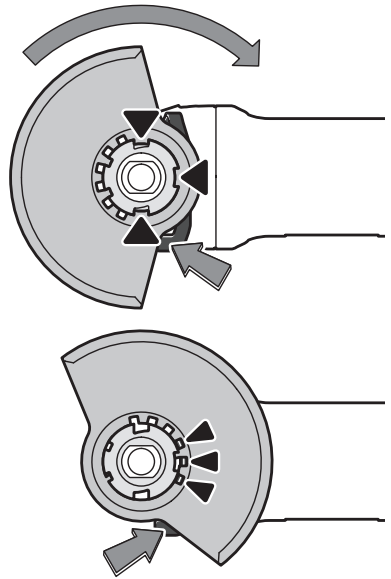
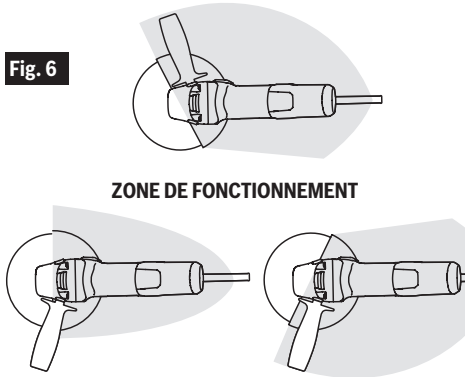


Fig. 6



Montage et retrait des accessoires X-Lock

⚠ AVERTISSEMENT Utilisez seulement des accessoires X-LOCK de Bosch ou sous licence de Bosch. Les accessoires incompatibles peuvent ne pas être fixés correctement, ce qui peut entraîner des blessures et/ou des dommages matériels.

⚠ AVERTISSEMENT Assurez-vous que la surface supérieure de la bride de l'accessoire n'est pas au-dessus du sommet de la jauge de hauteur de l'accessoire pour s'assurer qu'elle est bien sécurisée. Les accessoires qui se trouvent au-dessus de la jauge de hauteur de l'accessoire peuvent ne pas être sécurisés correctement et se détacher de l'outil, causant des blessures et/ou des dommages matériels.

⚠ AVERTISSEMENT Inspectez toujours le mécanisme de support de l'accessoire et la bride de fixation de l'accessoire avant toute utilisation. N'utilisez pas l'outil ou l'accessoire si le mécanisme de support de l'accessoire ou l'accessoire est endommagé ou déformé. Les accessoires qui ne sont pas complètement sécurisés peuvent causer des blessures et/ou des dommages matériels.

⚠ AVERTISSEMENT Inspectez les surfaces de fixation de l'accessoire et l'outil pour vous assurer qu'il n'y a pas de corps étrangers, et retirez-les s'il y en a qui se sont accumulés. La présence de matériaux indésirables pourrait réduire l'efficacité de la fixation et causer des blessures et/ou des dommages matériels.

⚠ AVERTISSEMENT N'actionnez jamais un levier de libération d'un accessoire X-Lock pendant que cet accessoire est en mouvement. Assurez-vous que l'accessoire s'est complètement arrêté avant de le retirer. L'éjection d'un accessoire encore en train de tourner pourrait causer des blessures et/ou des dommages matériels.

Vérifiez que l'accessoire et le support de montage de l'accessoire X-Lock ne sont pas déformés ou couverts de saletés. Si nécessaire, nettoyez la zone autour des deux loquets de verrouillage X-Lock.

Assurez-vous que les deux loquets de verrouillage des accessoires X-Lock sont ouverts (voir Fig. 7) avant de procéder au montage de l'accessoire X-Lock.

Fig. 7

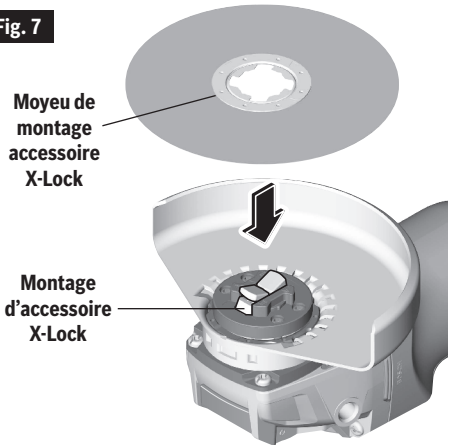
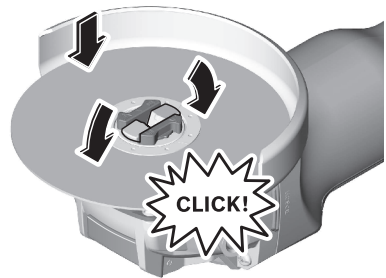


Fig. 8



Montage de l'accessoire sur l'outil

1. Placez l'accessoire sur le support de montage d'accessoire X-Lock en alignant les contours d'alignement de l'embout de montage de l'accessoire X-Lock sur le support de montage d'accessoire X-Lock sur la meuleuse (Fig. 7).
2. Appuyez sur l'accessoire pour le faire entrer dans le support de montage d'accessoire X-Lock. Vous entendrez un déclic provenant de l'accessoire lorsque les languettes de fixation se verrouilleront en place (Fig. 8).
3. Vérifiez que le bord de l'embout de montage d'accessoire X-Lock est correctement engagé dans les fentes des languettes de fixation X-Lock (Fig. 9). Si la surface supérieure de l'embout de montage de l'accessoire X-Lock est plus haute que la jauge de hauteur de serrage (située de chaque côté du sup-

Assemblage

port de montage d'accessoire X-Lock), l'accessoire X-Lock ne doit pas être utilisé avant que cette condition soit éliminée, en nettoyant le support de montage d'accessoire X-Lock ou en remplaçant l'accessoire.

Retrait des accessoires

AVERTISSEMENT N'actionnez jamais un levier de libération d'un accessoire X-Lock pendant que cet accessoire est en mouvement. Assurez-vous que l'accessoire s'est complètement arrêté avant de le retirer. L'éjection d'un accessoire encore en train de tourner pourrait causer des blessures et/ou des dommages matériels.

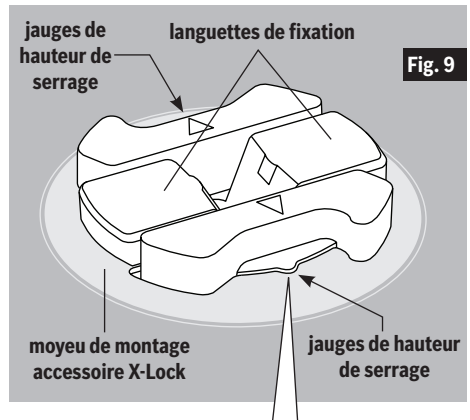
AVERTISSEMENT Ne touchez pas les disques de meulage et de coupe tant qu'ils ne sont pas refroidis. Les disques peuvent devenir très chauds pendant le travail.

AVERTISSEMENT Ne laissez pas tomber de façon incontrôlée après son détachement. Des accessoires qui tombent pourraient être endommagés et risqueraient de causer des blessures et/ou des dommages matériels.

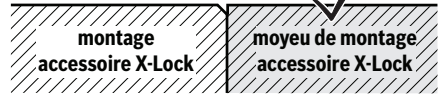
AVERTISSEMENT N'utilisez pas d'accessoires endommagés. Inspectez vos accessoires avant chaque utilisation : vérifiez par exemple que votre meule abrasive n'est ni fêlée, ni ébréchée, que votre disque d'appui n'est ni fêlé, ni déchiré, ni trop usé et que votre brosse métallique ne contient pas de fils cassés ou détachés. Si vous laissez tomber l'outil ou l'accessoire, vérifiez que ce dernier n'est pas endommagé ou remplacez-le par un accessoire en bon état. Après l'inspection et l'installation d'un accessoire, tenez-vous à distance du plan de l'accessoire en mouvement et demandez à toute personne présente de faire de même, et faites fonctionner l'outil à sa vitesse à vide maximale pendant une minute. Si un accessoire est endommagé, il se cassera habituellement en plusieurs morceaux pendant cette période de test.

Avant de retirer l'accessoire : Assurez-vous que l'outil électrique s'est complètement arrêté et débranché.

1. Orientez l'outil de façon à éviter que l'accessoire ne tombe lorsqu'il est détaché.
2. Pour ouvrir le levier de libération X-Lock (Fig. 10) :
(A) Appuyez sur le côté arrière du levier.
(B) Soulevez le côté avant du levier en tirant dessus.
3. Prenez des précautions pour retirer l'accessoire de l'outil afin de ne pas risquer de le faire tomber.



CORRECT: La hauteur du moyeu de montage de l'accessoire X-Lock est égale ou inférieure à celle de montage accessoire X-Lock.



INCORRECT: la hauteur du moyeu de montage de l'accessoire X-Lock est supérieure à celle de montage accessoire X-Lock.

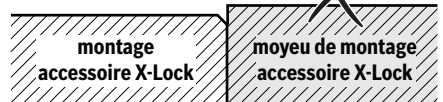
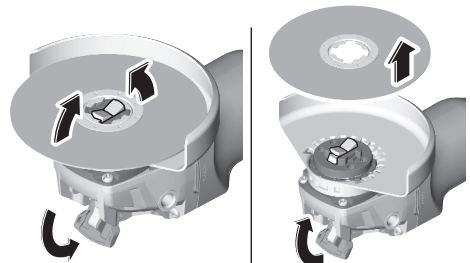
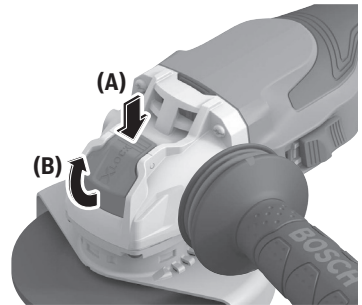


Fig. 10



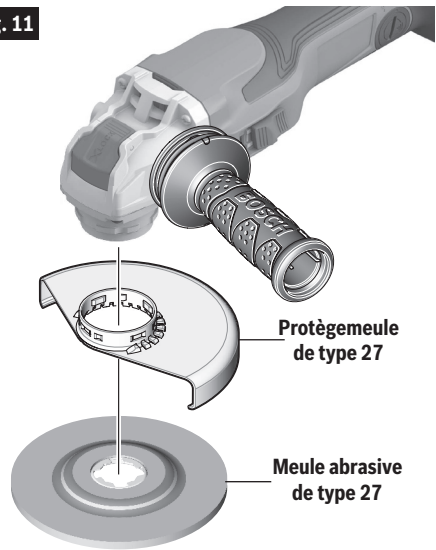
Assemblage

Montage de la meule abrasive de type 27 et du disque de ponçage

⚠ AVERTISSEMENT N'utilisez pas d'accessoires qui tournent de façon excentrique. L'outil vibrera excessivement, ce qui pourrait causer une perte de contrôle et l'éclatement de l'accessoire.

Pour installer la meuleuse ou le disque à volet abrasif (Fig. 11), voir les instructions à la page 38.

Fig. 11

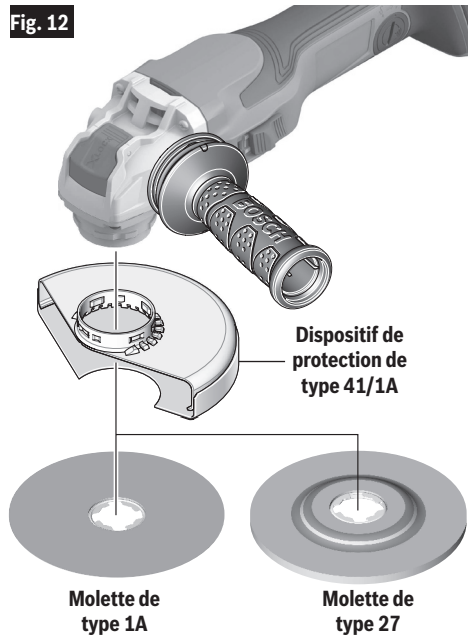


Montage de molettes abrasives de Types 41/1A

⚠ AVERTISSEMENT Utilisez toujours un dispositif de protection de Type 41/1A pour les opérations de coupe. Les autres accessoires ou dispositifs de protection ne protégeront peut-être pas aussi bien l'opérateur en cas d'éclatement de la meule.

Pour installer la meule de coupe (Fig. 12), voir les instructions à la page 38.

Fig. 12



Montage d'un disque de support et d'un disque de ponçage

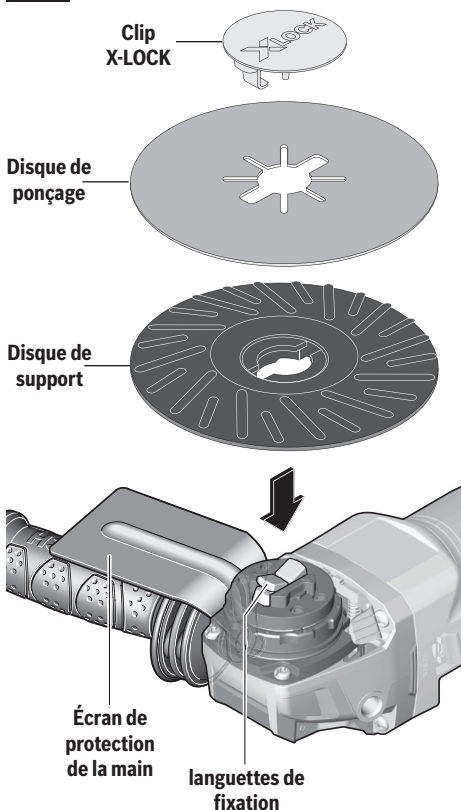
⚠ AVERTISSEMENT Il n'est pas possible d'utiliser un protège-meule de type 27 pour toutes les opérations de l'outil. Ne jetez pas ce dispositif de protection, même si vous ne l'utilisez pas. Réinstallez toujours le protège-meule avant de réaliser de nouvelles opérations de meulage.

L'écran de protection de la main doit être utilisé en conjonction avec des disques de support, des disques de ponçage et des brosses métalliques pour empêcher les doigts et la main d'entrer en contact avec la surface de travail, les bords tranchants, les ébarbures et les débris. Lorsque vous utilisez l'accessoire de protection de la main, insérez la poignée latérale à travers le trou de l'écran, puis enfiler-la dans le boîtier (Fig. 4). Assurez-vous que l'écran de protection de la main est positionné entre la main et le disque de support, le disque de ponçage ou la brosse métallique.

Installation du disque de support et du disque de ponçage (Fig. 13)

1. Inspectez le masque de sécurité pour la main pour vous assurer qu'il est attaché correctement à la meuleuse.
2. Placez le tampon de soutien sur le support de montage de l'accessoire X-Lock de telle façon que les ouvertures rectangulaires soient positionnées autour des languettes de fixation X-Lock.
3. Centrez le disque de ponçage sur le dessus du tampon de soutien et alignez les ouvertures rectangulaires sur les languettes de fixation du support de montage de l'accessoire X-Lock.
4. Alignez la pince de fixation X-Lock sur les fentes dans le disque de ponçage. Insérez la pince de fixation X-Lock à travers le disque de ponçage et appuyez dessus jusqu'à ce qu'il soit complètement engagé dans les languettes de fixation, ce qui sera indiqué par un déclic.
5. Pour retirer l'ensemble de ponçage de la meuleuse, suivez les instructions pour le « Montage et retrait des accessoires X-Lock » à partir de la page 38.

Fig. 13



Assemblage

Montage de la brosse métallique en forme de coupelle

⚠ AVERTISSEMENT Il n'est pas possible d'utiliser un protège-meule de type 27 pour toutes les opérations de l'outil. Ne jetez pas ce dispositif de protection, même si vous ne l'utilisez pas. Réinstallez toujours le protège-meule avant de réaliser de nouvelles opérations de meulage. Lorsque vous utilisez les meules en forme de coupelle, l'outil peut être utilisé sans dispositif de protection.

⚠ AVERTISSEMENT Portez des gants de protection lorsque vous manipulez des accessoires de brossage métalliques. La manipulation d'accessoires de brossage métalliques sans porter de gants pourrait causer des blessures.

Installation de la brosse métallique en forme de coupelle (Fig. 14)

Suivez les instructions pour le « Montage et retrait des accessoires X-Lock » à partir de la page 38.

Montage de la brosse métallique

Installation de la brosse métallique (Fig. 15)

1. Inspectez et ajustez le dispositif de protection pour le meulage de type 27 dans la position appropriée, comme illustré à la Figure 6, page 37.
2. Suivez les instructions des rubriques « Montage de l'accessoire sur l'outil » et « Retrait des accessoires » à la page 38.

Fig. 14

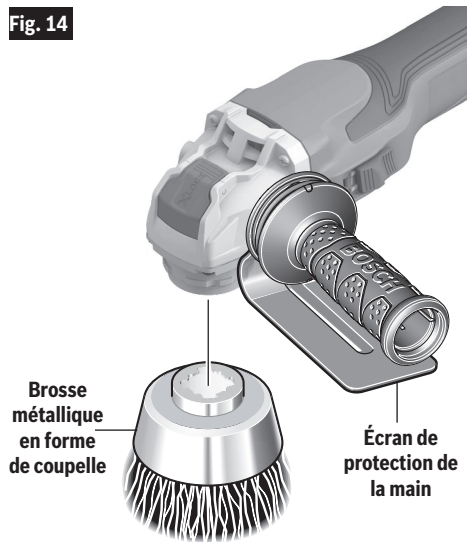
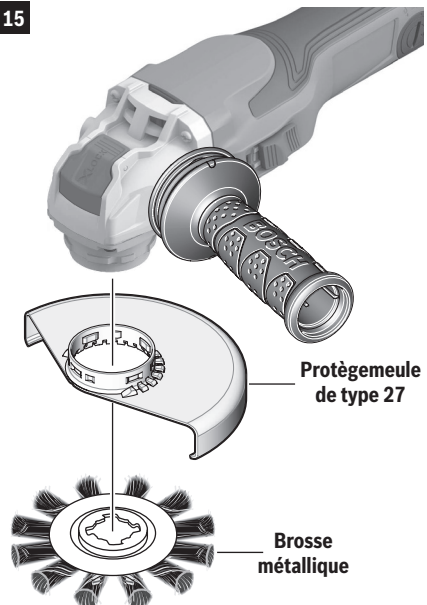


Fig. 15



Montage du dispositif de protection pour un outil de coupe de maçonnerie

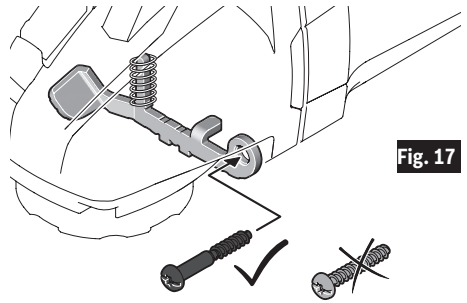
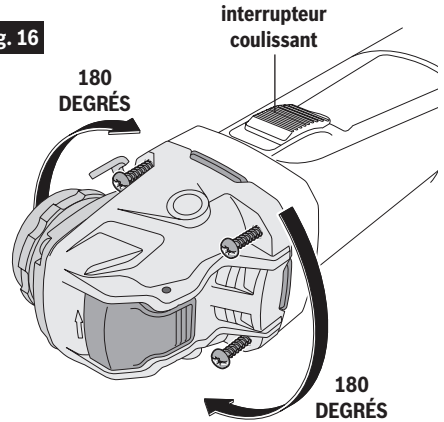
⚠ AVERTISSEMENT Il n'est pas possible d'utiliser un protège-meule de type 27 pour toutes les opérations de l'outil. Ne jetez pas ce dispositif de protection, même si vous ne l'utilisez pas. Réinstallez toujours le protège-meule avant de réaliser de nouvelles opérations de meulage.

Pour améliorer l'ergonomie de votre meuleuse lorsque vous coupez de la maçonnerie, il convient de faire tourner la boîte de vitesses par rapport à la position de l'interrupteur étant donné que l'outil avait été assemblé à l'usine.

Rotation de la boîte de vitesses

1. Dévissez complètement les quatre vis entre le carter de la boîte de vitesses et le corps du moteur.
2. Faites tourner le carter de la boîte de vitesse pour le mettre dans l'orientation appropriée sans retirer le moteur du carter.
 - a. Pour les modèles à interrupteur coulissant, faites tourner le carter des engrenages de 180 degrés de telle sorte que l'interrupteur soit à 90 degrés par rapport au porte-accessoire X-Lock (Fig. 16).
3. Après avoir ajusté la position du carter des engrenages, vissez et serrez les quatre vis.
4. La vis tenant en place le levier de libération du dispositif de protection est plus longue que les autres vis (Fig. 17) ; cette vis longue doit rester avec le levier de libération du dispositif de protection quand on rattrache le carter des engrenages pour que le bouton de libération du dispositif de protection puisse fonctionner correctement.
5. Suivez les instructions de la section ci-dessous pour installer correctement le dispositif de protection.

Fig. 16



Assemblage

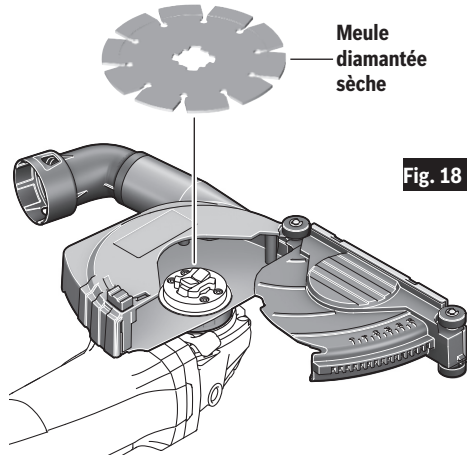
Installation du dispositif de protection pour la coupe de maçonnerie de type 41/1A

Suivez toutes les instructions fournies avec le dispositif de protection du disque de coupe de maçonnerie de type 41/1A pour l'installer et l'utiliser avec cette meuleuse.

Installation de la meule diamantée pour coupe à sec

Suivez toutes les instructions fournies avec le dispositif de protection du disque de coupe de maçonnerie de type 41/1A pour le préparer en vue de l'installation d'accessoires compatibles et de sa mise en service.

Pour installer la meule diamantée pour coupe à sec (Fig. 20), voir les instructions à la page 45.



Insertion et retrait du bloc-piles

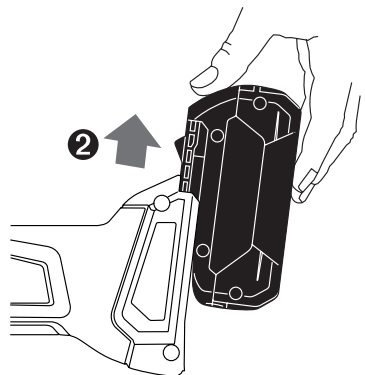
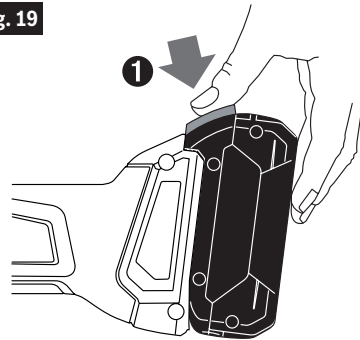
Pour insérer le bloc-piles, faites-le glisser dans le boîtier jusqu'à ce qu'il se verrouille en place.

Votre outil est muni d'un loquet de verrouillage secondaire qui empêche le bloc-piles de se séparer complètement de la poignée et de tomber au cas où il viendrait à se décrocher à cause des vibrations.

Pour retirer le bloc-piles, appuyez sur le bouton de déclenchement du bloc-piles et faites glisser le bloc-piles vers l'avant (Fig. 16).

Appuyez une fois de plus sur le bouton de déclenchement du bloc-piles et faites glisser le bloc-piles jusqu'à ce qu'il sorte complètement du bâti de l'outil.

Fig. 19



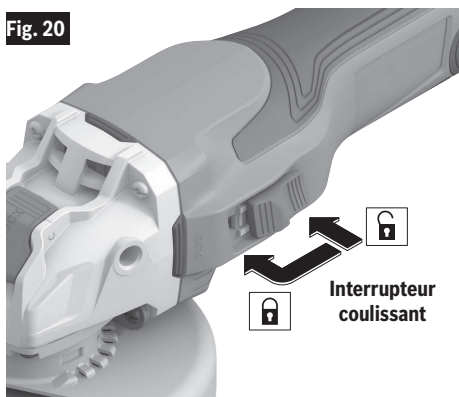
Consignes de fonctionnement

⚠ AVERTISSEMENT Ne laissez jamais la gâchette en position verrouillée (« ON »). Avant de brancher l'outil, assurez-vous que le dispositif de verrouillage de la gâchette est désactivé (« OFF »). Une mise en marche accidentelle pourrait causer des blessures.

⚠ AVERTISSEMENT Soyez au courant de l'emplacement et de la position du bouton de blocage en marche de la gâchette. Si l'interrupteur est bloqué en marche durant l'usage, soyez prêt, dans des cas d'urgence, à le mettre à l'arrêt en appuyant d'abord sur la gâchette, puis en la relâchant immédiatement sans appuyer sur le bouton de blocage en marche.

⚠ AVERTISSEMENT N'utilisez pas la fonction de verrouillage de l'interrupteur en position de marche (« Lock-ON ») dans des situations où des effets de rebond sont prévisibles, comme par exemple quand vous travaillez dans des coins. Lorsque la meule se coince, l'outil subit un choc en retour dans le sens opposé de la rotation de la meule, et il peut alors être difficile de désactiver la fonction de verrouillage en position de marche (« Lock-ON »).

Fig. 20



Interrupteur coulissant (Fig. 20)

POUR METTRE L'OUTIL EN MARCHÉ, appuyez sur l'arrière de l'interrupteur et faites-le glisser vers l'avant, en direction du boîtier d'engrenages et dans la position de marche (« ON »). Pour verrouiller l'outil en position de marche (« LOCKON »), après que l'opérateur a fait glisser l'interrupteur est dans la position de marche, faites-le rouler vers l'avant. POUR ARRÊTER L'OUTIL (« OFF »), appuyez sur la partie arrière de l'interrupteur. Il s'agit d'un interrupteur à ressort qui reviendra automatiquement dans la position d'arrêt (« OFF »).

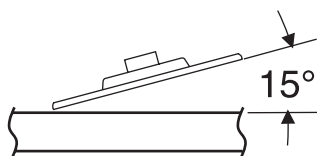
Consignes de fonctionnement

Meulage de métaux

Les meules abrasives doivent être sélectionnées soigneusement pour permettre l'utilisation la plus efficace possible. Les différences entre les meules portent sur le type d'abrasif, la technique d'adhérence du matériau abrasive, la dureté, la structure et la taille des grains. La meilleure meule à employer est déterminée par l'application. Utilisez des meules abrasives à disque pour meuler rapidement de l'acier de construction, des cordons de soudure épais, de l'acier moulé, de l'acier inoxydable et d'autres métaux ferreux.

1. Laissez l'outil atteindre sa vitesse normale avant de le mettre en contact avec la surface de travail.
2. Appliquez le minimum de pression sur la surface de travail de façon à permettre à l'outil de fonctionner à grande vitesse. Plus la vitesse de l'outil sera élevée, plus le meulage sera rapide.
3. Maintenez un angle de 10 à 15 degrés entre l'outil et la surface de travail (Fig. 18).

Fig. 21



4. Déplacez continuellement l'outil à une vitesse modérée pour éviter de faire des rayures sur la surface de travail.
5. Éloignez l'outil de la surface de travail avant de l'arrêter. Laissez l'outil s'arrêter de tourner complètement avant de le poser sur une surface quelconque.

Suggestion : lorsque vous commencez à travailler avec une nouvelle meule, il est important de meuler en tirant l'outil vers l'arrière jusqu'à ce que le bord de la meule s'arrondisse. Les meules neuves ont des bords tranchants qui ont tendance à « mordre » ou rayer l'ouvrage quand on les pousse en avant.

Coupe de métaux

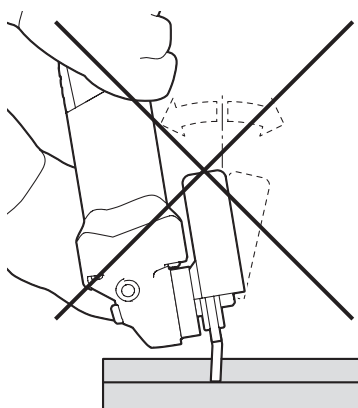
⚠ AVERTISSEMENT Un protège-meule de Type 41/1A n'est peut-être pas inclus avec cet outil, mais il est indispensable de s'en servir quand on utilise une molette. L'utilisation d'un protège-meule de Type 27 risque de ne pas fournir une protection suffisante à l'opérateur en cas d'éclatement d'une meule.

Avec cet outil, il est possible de couper des quantités limitées de matériaux, comme des tubes, des canalisations ou des barres d'armature. Lorsque vous coupez de tels matériaux, travaillez à une vitesse modérée, adaptée au matériau que vous êtes en train de couper. Lorsque vous coupez des profilés et des barres à section carrée, il est conseillé de commencer par la partie du matériau ayant la section transversale la plus petite.

Prenez toujours les précautions nécessaires pour éviter les chocs en retour.

1. Attendez que l'outil atteigne sa vitesse de fonctionnement normale avant de le mettre en contact avec la surface de travail.
2. L'outil doit toujours être utilisé de telle façon que les étincelles soient dirigées dans le sens opposé à celui de l'opérateur.
3. Appliquez le minimum de pression sur la surface de travail de façon à permettre à l'outil de fonctionner à

Fig. 22



grande vitesse. Plus la vitesse de l'outil sera élevée, plus la coupe sera rapide.

4. N'exercez pas une pression latérale sur le disque de coupe. N'inclinez pas l'outil et ne le faites pas osciller car cela risquerait de faire éclater la roue (Fig. 19).
5. Retirez l'outil de la surface de travail avant de le mettre hors tension. Attendez que l'outil ait cessé de tourner complètement avant de le poser sur une surface quelconque.

Coupe de maçonnerie/béton

Cette meule vous permet de couper des matériaux en béton et en maçonnerie. Lorsque vous coupez de tels matériaux, travaillez à une vitesse modérée, adaptée au matériau que vous êtes en train de couper.

Prenez toujours les précautions nécessaires pour éviter les chocs en retour.

Utilisez cet outil avec un système d'extraction de la poussière et un équipement de protection personnelle contre la poussière, comme un appareil respiratoire, un masque antipoussière, etc. L'aspirateur employé pour cette application doit être approuvé pour l'extraction de poussière de maçonnerie et de béton. Bosch vend des aspirateurs appropriés dans ce but.

⚠ AVERTISSEMENT Ne tirez jamais cet outil vers l'arrière car la lame pourrait sortir de sa trajectoire et se détacherait du matériau, ce qui produirait un EFFET DE REBOND.

1. Attendez que l'outil atteigne sa vitesse de fonctionnement normale avant de le mettre en contact avec la surface de travail.
2. En cas de coupe en plongée :
 - a. Inclinez l'outil vers l'avant de façon que la meule soit alignée sur le trait de coupe, et tenez l'outil par le corps de la meule et la poignée auxiliaire (Fig. 23).
 - b. Abaissez progressivement la partie arrière de l'outil en utilisant l'extrémité avant du pied comme point d'articulation.
 - c. Lorsque l'outil repose à plat sur la surface en train d'être coupée, coupez vers l'avant jusqu'à ce que vous ayez atteint le point final du trait de coupe.
3. Maintenez toujours un contact entre le pied du dispositif de protection et l'ouvrage.
4. Faites glisser l'outil vers l'avant à une vitesse modérée, adaptée au matériau en train d'être coupé. Coupez toujours en direction de l'orifice d'extraction de la poussière afin de maximiser l'extraction de poussière et de réduire le risque d'effet de rebond (Fig. 24).
5. Appliquez le minimum de pression sur la surface de travail de façon à permettre à l'outil de fonctionner à grande vitesse. Plus la vitesse de l'outil sera élevée, plus la coupe sera rapide.
6. Retirez l'outil de la surface de travail avant de le mettre hors tension. Attendez que l'outil ait cessé de tourner complètement avant de le poser sur une surface quelconque.

Suggestion : lorsque vous devez réaliser des coupes profondes, il est préférable de couper le matériau en plusieurs passes peu profondes. Aucune passe ne doit dépasser la profondeur du segment de la meule. La poussière de maçonnerie est abrasive, et elle risquerait d'affaiblir et d'user l'adhérence du segment.

Lorsque vous coupez un matériau particulièrement dur, p. ex. du béton avec une teneur en cailloux élevée, la meule diamantée sèche risque de surchauffer et d'être endommagée. Ceci est indiqué très clairement par les étincelles circulaires produites par la rotation de la meule diamantée sèche. Dans ce cas, interrompez l'opération de coupe et laissez refroidir la roue diamantée sèche pendant une brève période à la vitesse maximum à vide.

Un ralentissement notable de la progression de l'opération et la production d'étincelles circulaires indiquent qu'une meule diamantée sèche est devenue émoussée. Effectuez alors quelques brèves coupes dans des matériaux abrasifs (p. ex., des briques) pour essayer de réaffûter la meule.

Fig. 23

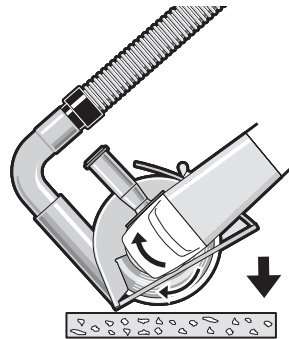
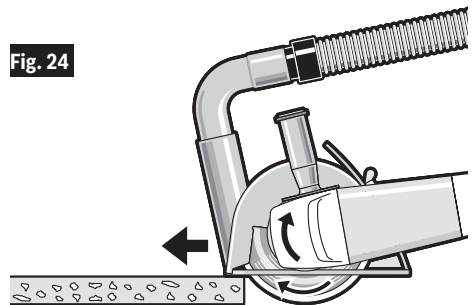


Fig. 24



Consignes de fonctionnement

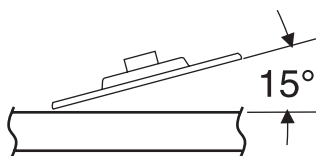
Ponçage

Les disques de ponçage peuvent avoir une densité de grains comprise entre 16 (très grossier) à 180 (très fin). Ils varient également en termes de taille et d'espacement des grains.

Le type de disque à COUCHE OUVERTE (type H) est utilisé pour les matériaux doux, et sur la peinture et le vernis, alors que le type de disque à COUCHE FERMÉE (type K) est utilisé pour le métal, le bois dur, la pierre, le marbre et d'autres matériaux. Sélectionnez soigneusement les disques de ponçage afin d'obtenir les meilleurs résultats possibles. De nombreuses applications nécessitent l'emploi de plusieurs tailles de grains, et il arrive qu'une application nécessite l'utilisation à la fois de disques à couche ouverte et de disques à couche fermée. Consultez le tableau pour des exemples d'applications.

1. Attendez que l'outil atteigne sa vitesse de fonctionnement normale avant de le mettre en contact avec la surface de travail.
2. Appliquez le minimum de pression sur la surface de travail de façon à permettre à l'outil de fonctionner à grande vitesse. Plus la vitesse de l'outil sera élevée, plus le ponçage sera rapide.

Fig. 25



3. Maintenez un angle de 10 à 15 degrés entre l'outil et la surface de travail (Fig. 25).
4. Déplacez continuellement l'outil à une vitesse modérée pour éviter de faire des rayures sur la surface de travail.
5. Éloignez l'outil de la surface de travail avant de le mettre hors tension. Laissez l'outil s'arrêter de tourner complètement avant de le poser sur une surface quelconque.

Suggestions : guidez le disque à l'aide de mouvements entrecroisés. Ne faites pas de mouvements circulaires car ceci laisserait des marques de tourbillonnement.

Opération : remise en état de surfaces en métal ou en bois peintes

REMARQUES	GRAIN
Pour retirer une couche de peinture et pour lisser de petites irrégularités de surface.	Coarse 16-24-30
Pour lisser une surface poncée grossièrement.	Moyen 36-50-80
Pour retirer les rayures laissées par des disques utilisés antérieurement.	Fin 100-120
Pour lisser des surfaces en vue de les peindre, de les polir ou de les cirer.	Très Fin 150-180

Consignes de fonctionnement

Brosse métallique (meules et coupelles)

Les brosses métalliques sont conçues pour « nettoyer » l'acier de construction, les pièces coulées, la tôle, la pierre et le béton. Elles sont utilisées pour retirer la rouille, les écailles et la peinture.

1. Attendez que l'outil atteigne sa vitesse de fonctionnement normale avant de le mettre en contact avec la surface de travail.
2. Appliquez le minimum de pression sur la surface de travail de façon à permettre à l'outil de fonctionner à grande vitesse.
3. Déplacez continuellement l'outil à une vitesse modérée pour éviter de faire des rayures sur la surface de travail.
4. Éloignez l'outil de la surface de travail avant de le mettre hors tension. Laissez l'outil s'arrêter de tourner complètement avant de le poser sur une surface quelconque.

Suggestion : ce sont les bouts de la brosse qui font le travail. Utilisez les brosses métalliques en appliquant le moins de pression possible afin que seules leurs extrémités entrent en contact avec l'ouvrage. Si vous exercez une pression excessive, les soies s'useront et se limiteront à essuyer l'ouvrage au lieu de le frotter vigoureusement, et leur durée de vie en sera raccourcie. L'application du côté ou du bord de la brosse sur l'ouvrage causera le bris de certains poils et raccourcira la durée de vie utile de la brosse.

BROSSE MÉTALLIQUE (TYPE MEULE)	
CORRECT: Les extrémités de la brosse font le travail.	
INCORRECT: Une pression excessive peut causer le bris de certaines soies.	

BROSSE MÉTALLIQUE (TYPE COUPELLE)	
CORRECT: Ce sont les extrémités de la brosse qui font le travail.	
INCORRECT: Une pression excessive peut causer le bris de certaines soies.	

Consignes de fonctionnement

Utilisation de l'appli « Bosch toolbox » (boîte à outils Bosch)

Après avoir apparié votre outil avec un dispositif mobile, vous pouvez ajuster certaines fonctions ou vérifier le statut de l'outil électrique en utilisant l'appli Bosch Toolbox.

A. Bouton Help (Aide) – appuyez sur ce bouton pour afficher l'écran d'aide.

B. Photo Tool (Outil) – appuyez sur la photo pour personnaliser la photographie de l'outil.

C. Statut de charge des piles de l'outil électrique – le nombre de « piles » vertes indique le niveau de charge estimé pour le bloc-piles.

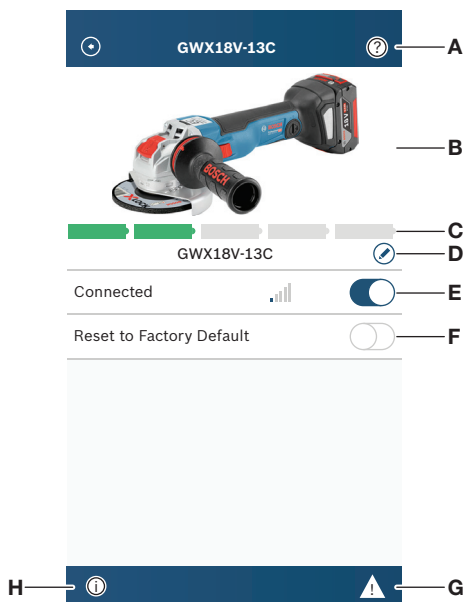
D. Surnom de l'outil électrique – appuyez sur l'icône « pencil » (crayon) pour personnaliser le surnom de l'outil. Vous pouvez faire la même chose lorsque vous changez la photo de l'outil.

E. Barre de statut de connexion – ici vous pouvez voir la force de la connexion (signal) indiquée par des barres verticales. Vous pouvez utiliser l'interrupteur à bascule pour déconnecter l'outil de votre dispositif mobile.

F. Interrupteur à bascule Factory Reset (Réinitialisation usine) – vous pouvez réinitialiser l'outil en réactivant les paramètres de réglage par défaut qui avaient été fixés à l'usine.

G. Alertes Tool (Outil) – appuyez sur « alerts triangle » (triangle d'alertes) pour afficher toutes les alertes reçues par l'outil.

H. Bouton Info – affiche des informations sur l'outil et ses spécifications.



Entretien

⚠ AVERTISSEMENT

Pour éviter les accidents, débranchez toujours le bloc-piles de l'outil avant toute opération de maintenance ou de nettoyage.

Réparations

⚠ AVERTISSEMENT

IL N'EXISTE À L'INTÉRIEUR AUCUNE PIÈCE SUSCEPTIBLE D'ÊTRE ENTRETENUE PAR L'UTILISATEUR. L'entretien préventif exécuté par des personnes non autorisés peut entraîner un positionnement erroné des composants et des fils internes, ce qui peut présenter de graves dangers. Nous recommandons de confier toute intervention d'entretien sur l'outil à un centre de service-usine Bosch ou à un centre de service après-vente Bosch agréé.

Piles

Faire attention aux blocs-piles qui approchent la fin de leur vie. Si vous remarquez une diminution dans les performances de votre outil ou une durée de fonctionnement réduite de manière significative entre charges, il est temps de remplacer le bloc-piles. S'il n'est pas remplacé, il se peut qu'il endommage le chargeur ou que l'outil fonctionne incorrectement.

Graissage de l'outil

Votre outil Bosch a été graissé de manière appropriée et il est prêt à l'usage.

Moteurs C.C.

Le moteur de votre outil a été conçu pour de nombreuses heures d'utilisation fiable. Pour maintenir l'efficacité maximale du moteur, nous recommandons de l'examiner tous les six mois. Seul un moteur de remplacement Bosch authentique, conçu spécialement pour votre outil, doit être utilisé.

Nettoyage

⚠ MISE EN GARDE

Certains produits de nettoyage et solvants endommagent les pièces en plastique. En voici quelques exemples : l'essence, le tétrachlorure de carbone, les solvants de nettoyage au chlore, l'ammoniac et les détergents domestiques contenant de l'ammoniac.

Les ouvertures de ventilation et les leviers des interrupteurs doivent être toujours propres et aucun corps étranger ne doit y adhérer. Ne tentez pas de les nettoyer en introduisant des objets pointus à travers les ouvertures.

Rangement & maintenance des accessoires

Rangez les accessoires dans un endroit frais et sec, et évitez le gel. Avant de vous en servir, inspectez les accessoires pour vous assurer qu'ils ne sont pas fissurés ou fracturés ; ne les utilisez pas si vous suspectez qu'ils sont endommagés.

Accessoires

⚠ AVERTISSEMENT

L'utilisation d'accessoires non spécifiés pour emploi avec l'outil décrit dans ce mode d'emploi pourrait créer un danger.

⚠ AVERTISSEMENT

N'utilisez pas de meules abrasives (boisseaux) de type 11 avec cet outil. Cet outil n'est pas conçu pour emploi avec des meules abrasives (boisseaux) de type 11.





Équipement Standard	Accessoires en Option
Protège-meule de type 27 Poignée latérale	Protège-meule de Type 41/1A Dispositif de protection pour la coupe de maçonnerie de type 41/1A Meule abrasive Disque de support Écran de protection de la main

Índice


Símbolos de seguridad	61	Montaje y remoción de los accesorios X-Lock	75
Advertencias generales de seguridad para herramientas mecánicas.....	61	Ensamblaje de la rueda de amolar de tipo 27 y el disco de aletas de lijar de tipo 27	77
Seguridad del área de trabajo	61	Ensamblaje de la rueda de corte abrasivo de Tipo 41/1A.....	77
Seguridad eléctrica	61	Ensamblaje para lijar	78
Seguridad personal	61	Ensamblaje del cepillo acopado de alambre.....	79
Uso y cuidado de las herramientas mecánicas	62	Ensamblaje de una rueda de alambre.....	79
Uso y cuidado de las herramientas alimentadas por baterías	62	Ensamblaje del protector para cortar mampostería	80
Servicio de ajustes y reparaciones.....	63	Instalación del protector de tipo 41/1A para cortar mampostería	81
Advertencias de seguridad específicas para herramientas mecánicas.....	63	Instalación de una rueda de diamante para cortar en seco.....	81
Advertencias de seguridad comunes para las operaciones de amolado, lijado, cepillado con cepillo de alambre y corte con ruedas abrasivas:	63	Introducción y suelta del paquete de baterías	81
Retroceso y advertencias relacionadas....	64	Interruptor deslizante (Fig. 20).....	82
Advertencias de seguridad específicas para las operaciones de amolado y corte con ruedas abrasivas:	65	Amolado de metal	83
Advertencias de seguridad específicas para las operaciones de corte con ruedas abrasivas:	65	Corte de metal.....	83
Advertencias de seguridad específicas para las operaciones de lijado:	65	Corte de mampostería / concreto.....	84
Advertencias de seguridad adicionales	66	Lijado	85
Advertencias de seguridad para las operaciones con cepillo de alambre:.....	66	Cepillo de alambre (ruedas y copas)	86
Símbolos	67	Utilización de la aplicación “Bosch toolbox”	87
Descripción funcional y especificaciones ..	69	Mantenimiento.....	88
Utilización básica del X-Lock	71	Servicio.....	88
Operación de freno.....	72	Baterías.....	88
Ensamblaje	73	Lubricación de la herramienta	88
Inserción del módulo de conectividad Bluetooth para herramientas	73	Motores “corriente directa”	88
Instalación del mango lateral.....	73	Limpieza.....	88
Escudo para la mano	73	Almacenamiento y mantenimiento de los accesorios	88
Instalación de los protectores de la rueda (protectores de la rueda de Tipo 27 y Tipo 41/1A)	74	Accesorios	88

Símbolos de seguridad

Las definiciones que aparecen a continuación describen el nivel de gravedad de cada palabra de señal de seguridad. Por favor, lea el manual y preste atención a estos símbolos.

	Éste es el símbolo de alerta de seguridad. Se utiliza para alertarle a usted de posibles peligros de lesiones corporales. Obedezca todos los mensajes de seguridad que sigan a este símbolo para evitar posibles lesiones o muerte.
	PELIGRO indica una situación peligrosa que, si no se evita, causará la muerte o lesiones graves.
	ADVERTENCIA indica una situación peligrosa que, si no se evita, podría causar la muerte o lesiones graves.
	PRECAUCIÓN indica una situación peligrosa que, si no se evita, podría causar lesiones leves o moderadas.

Advertencias generales de seguridad para herramientas mecánicas

 **Lea todas las advertencias de seguridad y todas las instrucciones.** Si no se siguen las advertencias e instrucciones, el resultado podría ser sacudidas eléctricas, incendio y/o lesiones graves.

GUARDE TODAS LAS ADVERTENCIAS E INSTRUCCIONES PARA REFERENCIA FUTURA

La expresión “herramienta mecánica” en las advertencias se refiere a su herramienta mecánica alimentada por la red eléctrica (herramienta alámbrica) o su herramienta mecánica alimentada por baterías (herramienta inalámbrica).

Seguridad del área de trabajo

Mantenga el área de trabajo limpia y bien iluminada.

Las áreas desordenadas u oscuras invitan a que se produzcan accidentes.

No utilice herramientas mecánicas en atmósferas explosivas, como por ejemplo en presencia de líquidos, gases o polvos inflamables. Las herramientas mecánicas generan chispas que pueden incendiar el polvo o los vapores.

Mantenga alejados a los niños y a las personas que estén presentes mientras esté utilizando una herramienta mecánica. Las distracciones pueden hacerle perder el control de la herramienta.

Seguridad eléctrica

Los enchufes de las herramientas mecánicas deben coincidir con el tomacorriente. No modifique nunca el enchufe de ningún modo. No use enchufes adaptadores con herramientas mecánicas conectadas a tierra (puestas a tierra). Los enchufes no modificados y los tomacorrientes coincidentes reducirán el riesgo de sacudidas eléctricas.

Evite el contacto del cuerpo con las superficies conectadas o puestas a tierra, tales como tuberías, radiadores, estufas y refrigeradores. Hay un aumento del riesgo de sacudidas eléctricas si el cuerpo del operador se conecta o pone a tierra.

No exponga las herramientas mecánicas a la lluvia o a condiciones mojadas. La entrada de agua en una herramienta mecánica aumentará el riesgo de que se produzcan sacudidas eléctricas.

No maltrate el cordón de energía. No use nunca el cordón para transportar la herramienta mecánica, tirar de ella o desenchufarla. Mantenga el cordón alejado del calor, el aceite, los bordes afilados o las piezas móviles. Los cordones dañados o enganchados aumentan el riesgo de que se produzcan sacudidas eléctricas.

Cuando utilice una herramienta mecánica en el exterior, use un cordón de extensión adecuado para uso a la intemperie. La utilización de un cordón adecuado para uso a la intemperie reduce el riesgo de que se produzcan sacudidas eléctricas.

Si es inevitable utilizar una herramienta mecánica en un lugar húmedo, utilice una fuente de energía protegida por un interruptor de circuito accionado por corriente de pérdida a tierra (GFCI). El uso de un GFCI reduce el riesgo de sacudidas eléctricas.

Seguridad personal

Manténgase alerta, fijese en lo que está haciendo y use el sentido común cuando esté utilizando una herramienta mecánica. No use una herramienta mecánica cuando esté cansado o bajo la influencia de drogas, alcohol o medicamentos. Un momento de distracción

Advertencias generales de seguridad para herramientas mecánicas

mientras esté utilizando herramientas mecánicas podría causar lesiones corporales graves.

Use equipo de protección personal. Use siempre protección de los ojos. El equipo de protección, como por ejemplo una máscara antipolvo, calzado de seguridad antideslizante, casco o protección de oídos, utilizado para las condiciones apropiadas, reducirá las lesiones corporales.

Evite el arranque accidental. Asegúrese de que el interruptor esté en la posición de apagado antes de conectar la herramienta a la fuente de energía y / o al paquete de batería, levantar la herramienta o transportarla. Transportar herramientas mecánicas con un dedo en el interruptor o encender herramientas mecánicas que tengan el interruptor en la posición de encendido invita a que se produzcan accidentes.

Quite todas las llaves de ajuste o de tuerca antes de encender la herramienta mecánica. Una llave de tuerca o de ajuste que se deje colocada en una pieza giratoria de la herramienta mecánica podría causar lesiones corporales.

No intente alcanzar demasiado lejos. Mantenga un apoyo de los pies y un equilibrio apropiados en todo momento. Esto permite controlar mejor la herramienta mecánica en situaciones inesperadas.

Vístase adecuadamente. No use ropa holgada ni alhajas holgadas. Mantenga el pelo, la ropa y los guantes alejados de las piezas móviles. La ropa holgada, las alhajas holgadas o el pelo largo pueden quedar atrapados en las piezas móviles.

Si se proporcionan dispositivos para la conexión de instalaciones de extracción y recolección de polvo, asegúrese de que dichas instalaciones estén conectadas y se usen correctamente. El uso de dispositivos de recolección de polvo puede reducir los peligros relacionados con el polvo.

Uso y cuidado de las herramientas mecánicas

No fuerce la herramienta mecánica. Use la herramienta mecánica correcta para la aplicación que desee realizar. La herramienta mecánica correcta hará el trabajo mejor y con más seguridad a la capacidad nominal para la que fue diseñada.

No use la herramienta mecánica si el interruptor no la enciende y apaga. Toda herramienta mecánica que no se pueda controlar con el interruptor es peligrosa y debe ser reparada.

Desconecte el enchufe de la fuente de alimentación y/o retire el paquete de batería de la herramienta eléctrica antes de hacer cualquier ajuste, cambiar accesorios o almacenar herramientas eléctricas. Dichas medidas preventivas de seguridad reducen el riesgo de arrancar accidentalmente la herramienta mecánica.

Guarde las herramientas que no esté usando fuera del alcance de los niños y no deje que personas que no estén familiarizadas con la herramienta mecánica o con estas instrucciones utilicen la herramienta. Las herramientas mecánicas son peligrosas en manos de usuarios que no hayan recibido capacitación.

Mantenga las herramientas eléctricas y sus accesorios. Compruebe si hay piezas móviles desalineadas o atoradas, si hay piezas rotas y cualquier otra situación que pueda afectar al funcionamiento de la herramienta eléctrica. Si la herramienta eléctrica está dañada, haga que sea reparada antes de utilizarla. Muchos accidentes son causados por herramientas mecánicas mantenidas deficientemente.

Mantenga las herramientas de corte afiladas y limpias. Es menos probable que las herramientas de corte mantenidas apropiadamente, con bordes de corte afilados, se atoren, y dichas herramientas son más fáciles de controlar.

Utilice la herramienta mecánica, los accesorios, las brocas de la herramienta, etc., de acuerdo con estas instrucciones, teniendo en cuenta las condiciones de trabajo y el trabajo que se vaya a realizar. El uso de la herramienta mecánica para operaciones distintas a aquéllas para las que fue diseñada podría causar una situación peligrosa.

Uso y cuidado de las herramientas alimentadas por baterías

Recargue las baterías solamente con el cargador especificado por el fabricante. Un cargador que es adecuado para un tipo de paquete de batería puede crear un riesgo de incendio cuando se utiliza con otro paquete de batería.

Utilice las herramientas mecánicas solamente con paquetes de batería designados específicamente. El uso de cualquier otro paquete de batería puede crear un riesgo de lesiones e incendio.

Cuando el paquete de batería no se esté usando, manténgalo alejado de otros objetos metálicos, tales como sujetapapeles, monedas, llaves, clavos, tornillos u otros objetos metálicos pequeños que pueden hacer una conexión de un terminal a otro. Si se cortocircuitan los terminales de la batería uno con otro, se pueden causar quemaduras o un incendio.

En condiciones abusivas, es posible que se eyecte líquido de la batería. Evite el contacto. Si se produce un contacto accidental, enjuáguese con agua. Si el líquido entra en contacto con los ojos, obtenga además ayuda médica. El líquido que salga eyectado de la batería puede causar irritación o quemaduras.

No utilice un paquete de batería o una herramienta que hayan sido dañados o modificados. Es posible que las baterías dañadas o modificadas exhiban un comportamiento impredecible que cause un incendio, una explosión o riesgo de lesiones.

Advertencias generales de seguridad para herramientas mecánicas

No exponga un paquete de batería o una herramienta a un fuego o una temperatura excesiva. Es posible que la exposición a un fuego o una temperatura superior a 265 °F cause una explosión.

Siga todas las instrucciones de carga y no cargue el paquete de batería ni la herramienta fuera del intervalo de temperatura especificado en las instrucciones. Es posible que realizar una carga incorrectamente o a temperaturas que estén fuera del intervalo especificado dañe la batería y aumente el riesgo de incendio.

Advertencias de seguridad específicas para herramientas mecánicas

Advertencias de seguridad comunes para las operaciones de amolado, lijado, cepillado con cepillo de alambre y corte con ruedas abrasivas:

Esta herramienta mecánica está diseñada para funcionar como amoladora, lijadora, cepillo de alambre o herramienta recortadora. Lea todas las advertencias de seguridad, instrucciones, ilustraciones y especificaciones suministradas con esta herramienta mecánica. Si no se siguen todas las instrucciones que se indican a continuación, el resultado podría ser descargas eléctricas, incendio y/o lesiones graves.

No se recomienda realizar operaciones tales como pulir con esta herramienta eléctrica. Las operaciones para las cuales la herramienta mecánica no fue diseñada pueden crear un peligro y causar lesiones corporales.

No utilice accesorios que no estén diseñados y recomendados específicamente por el fabricante de la herramienta. Sólo porque el accesorio se pueda instalar en su herramienta mecánica, eso no garantiza una operación segura.

La velocidad nominal del accesorio debe ser al menos igual a la velocidad marcada en la herramienta mecánica. Los accesorios que funcionen más rápidamente que su VELOCIDAD NOMINAL se pueden romper y salir despedidos.

El diámetro exterior y el grosor de su accesorio deben estar dentro de la capacidad nominal de su herramienta mecánica. Los accesorios de tamaño incorrecto no se pueden proteger ni controlar adecuadamente.

La montura roscada de los accesorios debe coincidir con la rosca del husillo de la AMOLADORA. En el caso de los accesorios montados por PESTAÑAS, el agujero del accesorio para el eje portaherramienta debe encajar en el diámetro ubicador de la PESTAÑA. Los accesorios que no coincidan con los herrajes de montaje de la herramienta

Servicio de ajustes y reparaciones

Haga que su herramienta mecánica reciba servicio de un técnico de reparaciones calificado, utilizando únicamente piezas de repuesto idénticas. Esto asegurará que se mantenga la seguridad de la herramienta mecánica.

No haga nunca servicio de ajustes y reparaciones de paquetes de batería dañados. El servicio de ajustes y reparaciones de los paquetes de batería deberá ser realizado únicamente por el fabricante o por proveedores de servicio autorizados.

eléctrica funcionarán desequilibrados, vibrarán excesivamente y podrían causar pérdida de control.

No utilice un accesorio que esté dañado. Antes de cada uso, inspeccione el accesorio, como por ejemplo las ruedas abrasivas para comprobar si tienen picaduras y grietas, la zapata de soporte para comprobar si tiene grietas, desgarraduras o desgaste excesivo, y el cepillo de alambre para comprobar si hay alambres flojos o agrietados. Si la herramienta mecánica o el accesorio se cae, realice una inspección para comprobar si se ha dañado o instale un accesorio que no esté dañado. Después de inspeccionar e instalar un accesorio, posicione usted y posicione a las personas que estén presentes alejados del plano del accesorio que gira y haga funcionar la herramienta mecánica a la máxima velocidad sin carga durante un minuto. Normalmente, los accesorios dañados seromperán en pedazos durante este tiempo de prueba.

Utilice equipo de protección personal. Dependiendo de la aplicación, use una careta, anteojos de seguridad o lentes de seguridad. Según sea apropiado, use una máscara antipolvo, protectores de la audición, guantes y un delantal de taller capaz de detener pequeños fragmentos de abrasivo o de la pieza de trabajo. La protección de los ojos debe ser capaz de detener los residuos que salgan despedidos al ser generados por diversas operaciones. La máscara antipolvo o el respirador debe ser capaz de filtrar las partículas generadas por la operación que usted realice. La exposición prolongada a ruido de alta intensidad puede causar pérdida de audición.

Mantenga a las personas presentes a una distancia segura del área de trabajo. Toda persona que entre al área de trabajo debe usar equipo de protección personal. Los fragmentos de la pieza de trabajo o de un accesorio roto pueden salir despedidos y causar lesiones más allá del área inmediata de operación.

Agarre la herramienta eléctrica solamente por las superficies de agarre con aislamiento cuando realice una operación en la que el accesorio de corte pueda entrar en contacto con cables ocultos. Si el accesorio de corte

Advertencias de seguridad específicas para herramientas mecánicas

entra en contacto con un cable con corriente, eso puede hacer que las partes metálicas de la herramienta eléctrica que están al descubierto lleven corriente y podrían causar una descarga eléctrica al operador.

Posicione el cordón de energía alejado del accesorio que gira. Si usted pierde el control, el cordón de energía puede resultar cortado o enganchado y la mano o el brazo del operador puede ser arrastrado hasta el accesorio que gira.

No deje nunca la herramienta mecánica en ningún lugar hasta que el accesorio se haya detenido por completo. El accesorio que gira se puede enganchar en la superficie y tirar de la herramienta mecánica hasta hacer que usted pierda el control.

No haga funcionar la herramienta mecánica mientras la lleva a su lado. El contacto accidental con el accesorio que gira podría enganchar la ropa del operador y tirar del accesorio hacia su cuerpo.

Limpie regularmente las aberturas de ventilación de la herramienta mecánica. El ventilador del motor absorberá el polvo al interior de la carcasa y la acumulación excesiva de metal en polvo puede causar peligros eléctricos.

No utilice la herramienta mecánica cerca de materiales inflamables. Las chispas podrían incendiar estos materiales.

No utilice accesorios que requieran enfriadores líquidos. La utilización de agua u otros enfriadores líquidos puede causar electrocución o descargas eléctricas.

Utilice únicamente accesorios X-LOCK Bosch o con licencia de Bosch. Es posible que los accesorios incompatibles no se sujeten adecuadamente y con ello causen lesiones corporales y/o daños materiales.

Confirme que la sujeción es adecuada asegurándose de que la parte superior de la superficie de la pestaña del accesorio no esté por encima de la parte superior del calibre de altura para el accesorio. Es posible que los accesorios que estén por encima de dicho calibre de altura no queden sujetos adecuadamente y se separen de la herramienta, causando lesiones corporales y/o daños materiales.

Inspeccione siempre la montura para accesorios y la pestaña de sujeción del accesorio antes de usar la herramienta. No utilice la herramienta ni el accesorio si la montura del accesorio o el accesorio están dañados o deformados. Es posible que los accesorios que no estén sujetos adecuadamente causen lesiones corporales y/o daños materiales.

Compruebe si hay presencia o acumulación de material extraño en las superficies de sujeción de la herramienta y del accesorio, y retire dicho material antes

de utilizar la herramienta. El material no deseado puede causar una sujeción incompleta y es posible que cause lesiones corporales y/o daños materiales.

No accione nunca la palanca de liberación X-Lock mientras el accesorio se esté moviendo. Asegúrese de que el accesorio se haya detenido por completo antes de retirarlo. Si libera el accesorio mientras aún esté girando podría causar lesiones corporales y/o daños materiales.

Retroceso y advertencias relacionadas

El retroceso es una reacción repentina a una rueda que gira, una zapata de soporte, un cepillo o cualquier otro accesorio que resulte pellizcado o enganchado. El pellizcamiento o el enganche causan una parada rápida del accesorio que gira, lo cual a su vez hace que la herramienta mecánica descontrolada sea forzada en sentido opuesto al de rotación del accesorio en el punto del atoramiento.

Por ejemplo, si la pieza de trabajo engancha o pellizca una rueda abrasiva, el borde de la rueda que esté entrando en el punto de pellizcamiento puede penetrar en la superficie del material, haciendo que la rueda se salga del corte o experimente retroceso. La rueda puede saltar hacia el operador o alejándose de éste, dependiendo del sentido de movimiento de dicha rueda en el punto de pellizcamiento. Las ruedas abrasivas también se pueden romper en estas condiciones.

El retroceso es el resultado de la utilización indebida de la herramienta mecánica y/o de procedimientos o condiciones de operación incorrectos, y se puede evitar tomando las precauciones apropiadas que se indican a continuación.

Mantenga un agarre firme de la herramienta mecánica y posicione el cuerpo y el brazo para permitir que usted resista las fuerzas de retroceso. Utilice siempre el mango auxiliar, si se suministra, para tener el máximo control sobre el retroceso o la reacción de fuerza de torsión durante el arranque. El operador puede controlar las reacciones de fuerza de torsión o las fuerzas de retroceso, si se toman las precauciones apropiadas.

No coloque nunca la mano cerca del accesorio que gira. El accesorio puede experimentar retroceso sobre la mano.

No ubique el cuerpo en el área donde la herramienta mecánica se moverá si se produce retroceso. El retroceso propulsará la herramienta en sentido contrario al del movimiento de la rueda en el punto de enganche.

Tenga cuidado especial cuando trabaje en esquinas, bordes afilados, etc. Evite hacer rebotar y enganchar el accesorio. Las esquinas, los bordes afilados o los rebotes tienen tendencia a enganchar el accesorio que gira y causar pérdida de control o retroceso.

Advertencias de seguridad específicas para herramientas mecánicas

No instale una hoja de cadena de sierra para tallar madera ni una hoja con dientes de sierra. Dichas hojas generan retroceso y pérdida de control frecuentes.

Advertencias de seguridad específicas para las operaciones de amolado y corte con ruedas abrasivas:

Utilice únicamente los tipos de rueda que estén recomendados para su herramienta mecánica y el protector específico diseñado para la rueda seleccionada.

Las ruedas para las cuales no se diseñó la herramienta mecánica no pueden ser protegidas adecuadamente y son inseguras.

La superficie de amolado de las ruedas con depresión en el centro se debe montar de manera que esté debajo del plano del reborde del protector. Una rueda montada incorrectamente que sobresalga a través del plano del reborde del protector no se puede proteger adecuadamente.

El protector se debe instalar firmemente en la herramienta mecánica y se debe posicionar de manera que brinde la máxima seguridad, para que la cantidad de rueda que esté expuesta hacia el operador sea mínima. El protector ayuda a proteger al operador contra los fragmentos de rueda rota, el contacto accidental con la rueda y chispas que podrían encender la ropa.

Las ruedas se deben utilizar solamente para las aplicaciones recomendadas. Por ejemplo: no amuele con el lado de una rueda recortadora. Las ruedas recortadoras abrasivas están diseñadas para realizar amolado periférico; las fuerzas laterales aplicadas a estas ruedas pueden hacer que se rompan en pedazos.

Utilice siempre pestañas de rueda no dañadas que tengan el tamaño y la forma correctos para la rueda que usted seleccione. Las pestañas de rueda apropiadas soportan la rueda, con lo cual reducen la posibilidad de que la rueda se rompa. Las pestañas para las ruedas recortadoras pueden ser diferentes a las pestañas para las ruedas de amolar.

No utilice ruedas desgastadas de herramientas mecánicas más grandes. La rueda diseñada para una herramienta mecánica más grande no es adecuada para la velocidad más alta de una herramienta más pequeña y puede reventar.

Advertencias de seguridad específicas para las operaciones de corte con ruedas abrasivas:

No “atore” la rueda recortadora ni ejerza una presión excesiva. No intente lograr una profundidad de corte excesiva. Si se somete la rueda a una tensión excesiva, se

incrementa la carga y la susceptibilidad de la rueda a torcerse o atorarse en el corte, así como la posibilidad de retroceso o rotura de la rueda.

No posicione el cuerpo en línea con la rueda que gira ni detrás de ella. Cuando la rueda, en el punto de operación, se esté moviendo alejándose del cuerpo del operador, el posible retroceso podría propulsar la rueda que gira y la herramienta mecánica directamente hacia usted.

Cuando la rueda se esté atorando o cuando se interrumpa un corte por cualquier motivo, apague la herramienta mecánica y sujétela en posición inmóvil hasta que la rueda se detenga por completo. No intente nunca sacar del corte la rueda recortadora mientras dicha rueda esté en movimiento, ya que si lo hace podría ocurrir retroceso. Investigue la causa del atoramiento de la rueda y tome medidas correctivas para eliminar dicha causa.

No reinicie la operación de corte en la pieza de trabajo. Deje que la rueda alcance su velocidad máxima y reintente cuidadosamente en el corte. La rueda se puede atorar, desviar o experimentar retroceso si la herramienta mecánica es rearrancada en la pieza de trabajo.

Soporte los paneles o cualquier pieza de trabajo muy grande para minimizar el riesgo de pellizcamiento y retroceso de la rueda. Las piezas de trabajo grandes tienden a combarse bajo su propio peso. Se deben colocar soportes debajo de la pieza de trabajo cerca de la línea de corte y cerca del borde de la pieza de trabajo a ambos lados de la rueda.

Tenga precaución adicional cuando haga un “corte de bolsillo” en paredes existentes u otras áreas ciegas. La rueda que sobresale podría cortar tuberías de gas o agua, cables eléctricos y objetos que pueden causar retroceso.

No utilice ruedas abrasivas de tipo 1 diseñadas para amoladoras rectas.

No intente cortar material grande ni chapas de metal, ya que esta máquina no está diseñada para ser una máquina recortadora dedicada.

Advertencias de seguridad específicas para las operaciones de lijado:

No utilice papel de disco de lijar excesivamente grande. Siga las recomendaciones del fabricante cuando seleccione el papel de lija. El papel de lija más grande que sobresale de la zapata de lijar presenta un peligro de laceraciones y puede causar enganche, desgarradura del disco o retroceso.

Advertencias de seguridad específicas para herramientas mecánicas

Advertencias de seguridad para las operaciones con cepillo de alambre:

Tenga presente que el cepillo lanza cerdas de alambre incluso durante la operación ordinaria. No someta los alambres a una tensión excesiva al aplicar una carga excesiva al cepillo. Las cerdas de alambre pueden penetrar fácilmente en la ropa ligera y/o la piel.

Si se recomienda utilizar un protector para realizar operaciones con cepillo de alambre, no permita ninguna interferencia de la rueda con rayos de alambre o el cepillo de alambre con el protector. La rueda con rayos de alambre o el cepillo de alambre se puede expandir en diámetro debido a la carga de trabajo y las fuerzas centrífugas.

Advertencias de seguridad adicionales

No use herramientas mecánicas con capacidad nominal solamente para CA con una fuente de energía de CC. Aunque pueda parecer que la herramienta funciona correctamente, es probable que los componentes eléctricos de la herramienta con capacidad nominal para CA fallen y creen un peligro para el operador.

Mantenga los mangos secos, limpios y libres de aceite y grasa. Las manos resbalosas no pueden controlar de modo seguro la herramienta mecánica.

Use abrazaderas u otro modo práctico de sujetar y soportar la pieza de trabajo en una plataforma estable. Si se sujeta la pieza de trabajo con la mano o contra el cuerpo, se crea una situación inestable que podría causar pérdida de control.

Desarrolle un programa de mantenimiento periódico de la herramienta. Cuando limpie una herramienta, tenga cuidado de no desmontar ninguna de sus partes, ya que los cables internos podrían reubicarse incorrectamente o pellizcarse, o los resortes de retorno de los protectores de seguridad podrían montarse incorrectamente. Ciertos agentes de limpieza, tales como gasolina, tetracloruro de carbono, amoníaco, etc., podrían dañar las piezas de plástico.

No utilice sistemas de aspiración u otro sistema de recolección de polvo al cortar metal. Las chispas generadas al cortar metal pueden causar un incendio en el colector.



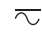



⚠️ ADVERTENCIA Cierta polvos generados por el lijado, aserrado, amolado y taladrado mecánicos, y por otras actividades de construcción, contienen agentes químicos que se sabe que causan cáncer, defectos de nacimiento u otros daños sobre la reproducción. Algunos ejemplos de estos agentes químicos son:

- Plomo de pinturas a base de plomo,
- Sílice cristalina de ladrillos y cemento y otros productos de mampostería, y
- Arsénico y cromo de madera tratada químicamente.

Su riesgo por causa de estas exposiciones varía, dependiendo de con cuánta frecuencia realice este tipo de trabajo. Para reducir su exposición a estos agentes químicos: trabaje en un área bien ventilada y trabaje con equipo de seguridad aprobado, como por ejemplo máscaras anti-polvo que estén diseñadas especialmente para impedir mediante filtración el paso de partículas microscópicas.

Symboles

IMPORTANTE: Es posible que algunos de los símbolos siguientes se usen en su herramienta. Por favor, estúdielos y aprenda su significado. La interpretación adecuada de estos símbolos le permitirá utilizar la herramienta mejor y con más seguridad.

Símbolo	Désignación / Explicación
V	Volt (tensión)
A	Ampere (corriente)
Hz	Hertz (frecuencia, ciclos por segundo)
W	Watt (potencia)
kg	Kilogramo (peso)
min	Minuto (tiempo)
s	Segundo (tiempo)
∅	Diámetro (tamaño de las brocas taladradoras, muelas, etc)
n_0	Velocidad sin carga (velocidad rotacional sin carga)
n	Velocidad nominal (máxima velocidad obtenible)
.../min	Revoluciones o alternación por minuto (revoluciones, golpes, velocidad de superficie, órbitas, etc., por minuto)
0	Posición "off" (velocidad cero, par motor cero...)
1, 2, 3, ... I, II, III,	Graduaciones del selector (graduaciones de velocidad, par motor o posición. Un número más alto significa mayor velocidad)
0 	Selector infinitamente variable con apagado (la velocidad aumenta desde la graduación de 0)
	Flecha (Acción en la dirección de la flecha)
~	Corriente alterna (tipo o una característica de corriente)
≡	Corriente continua (tipo o una característica de corriente)
	Corriente alterna o continua (tipo o una característica de corriente)
	Construcción de clase II (designa las herramientas de construcción con aislamiento doble)
	Terminal de toma de tierra (terminal de conexión a tierra)
	Símbolo de advertencia (Alerta al usuario sobre mensajes de advertencia)

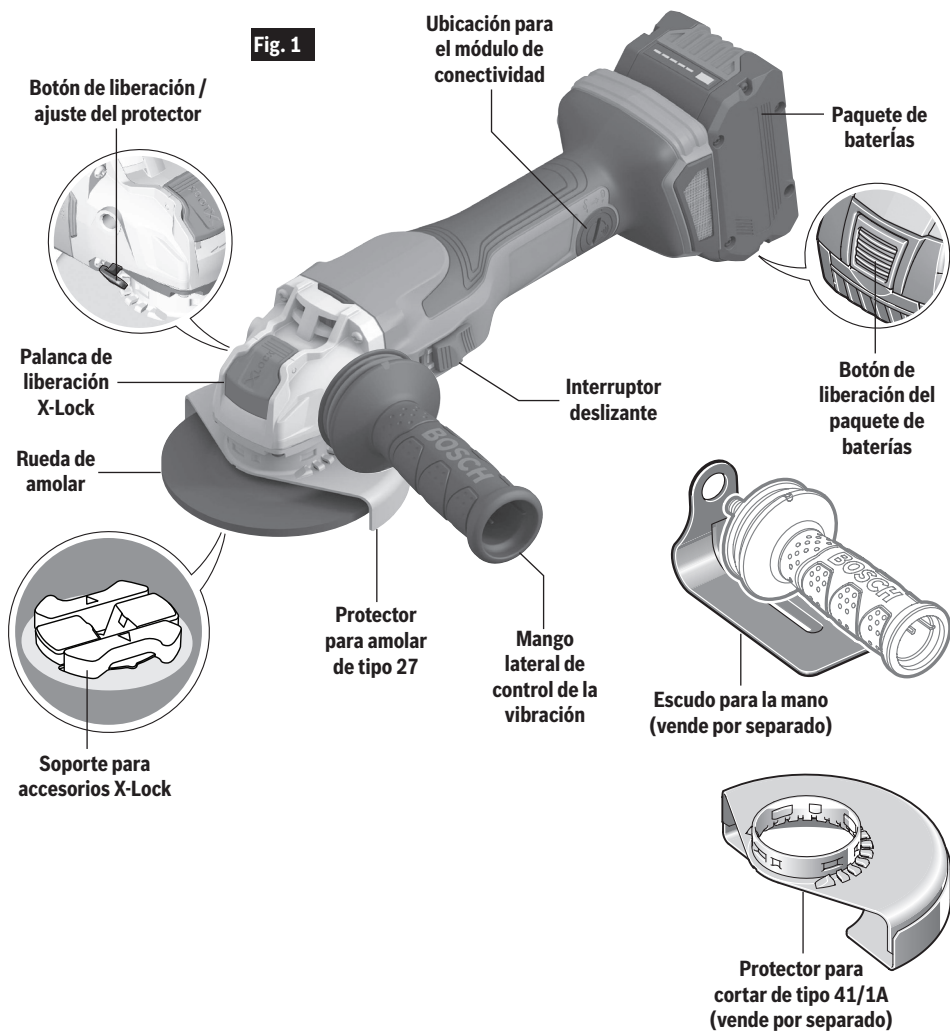
Símbolos (suite)

IMPORTANTE: Es posible que algunos de los símbolos siguientes se usen en su herramienta. Por favor, estúdielos y aprenda su significado. La interpretación adecuada de estos símbolos le permitirá utilizar la herramienta mejor y con más seguridad.

Símbolo	Désignación / Explicación
	Designa el programa de reciclaje de baterías de Li-ion.
	Alerta al usuario para que lea el manual.
	Alerta al usuario para que use protección de los ojos.
	Alerta al usuario para que use protección respiratoria
	Alerta al usuario para que use protección de la audición
	Este símbolo indica que esta herramienta está catalogada por Underwriters Laboratories.
	Este símbolo indica que este componente está reconocido por Underwriters Laboratories.
	Este símbolo indica que Underwriters Laboratories ha catalogado esta herramienta indicando que cumple con las normas estadounidenses y canadienses.
	Este símbolo indica que esta herramienta está catalogada por la Canadian Standards Association.
	Este símbolo indica que la Canadian Standards Association ha catalogado esta herramienta indicando que cumple con las normas estadounidenses y canadienses.
	Este símbolo indica que Intertek Testing Services ha catalogado esta herramienta indicando que cumple con las normas estadounidenses y canadienses.
	Este símbolo indica que esta herramienta cumple con la norma mexicana oficial (NOM).

Descripción funcional y especificaciones

Amoladoras angulares con interruptor deslizable GWX18V-13C



Paquetes de batería/Cargadores de baterías

Sírvase consultar la lista de baterías/cargadores incluidas con su herramienta.

NOTA: Para obtener las especificaciones de la herramienta, consulte la placa del fabricante colocada en la herramienta.

Descripción funcional y especificaciones

Número de modelo	GWX18V-13C
Batería	18V (Bosch Series)
Velocidad nominal (RPM), /min	n 8,500/min
Interruptor	Paleta
Freno de parada rápida del disco	Incluido
Módulo de conectividad Bluetooth para herramientas	Vende por separado
Ø máximo de la rueda de amolar	6" (150 mm)
Grosor de la rueda de amolar	1/4" (6 mm)
Ø máximo de la rueda de corte	6" (150 mm)
Ø máximo del disco de lijar	6" (150 mm)
Ø máximo del disco de aletas	6" (150 mm)
Ø máximo de la rueda de alambre	4" (102 mm)
Ø máximo de la rueda acopada de alambre	4" (100 mm)

Aplicaciones

⚠ ADVERTENCIA

No utilice ruedas abrasivas (acopadas) de tipo 11 con esta herramienta. Esta herramienta no está diseñada para utilizarse con ruedas de amolar abrasivas (acopadas) de tipo 11.

Número de modelo	GWX18-13C
Amolado de metal (Tipo 27)	X
Amolado de metal (Tipo 11)	N
Amolado de metal (Tipo 1)	N
Corte de metal (Tipo 41/1A)	O
Disco de aletas	X
Corte de concreto	O
Lijado	O
Cepillado con alambre (rueda)	X
Cepillado con alambre (cepillo acopado)	O

X = La herramienta está provista con aditamentos para realizar esta aplicación.

O = La herramienta puede usar aditamentos opcionales para realizar esta aplicación.

N = La herramienta no es capaz de realizar esta aplicación.

La velocidad nominal del accesorio debe ser igual o mayor que la velocidad nominal de la herramienta. No exceda el diámetro recomendado para la rueda.

Utilización básica del X-Lock

El sistema X-Lock es una combinación de diseños patentados de montura de la herramienta y accesorios que permiten al operador realizar cambios rápidos de accesorios. Disponible en amoladoras angulares Bosch selectas, el X-Lock permite la instalación y remoción de accesorios de amoladora (ruedas de amolar, ruedas de corte, cepillos de alambre, discos de lijar, etc.) sin tener que utilizar herramientas. El sistema X-Lock es un reemplazo del método tradicional de sujeción de los accesorios de amoladora.

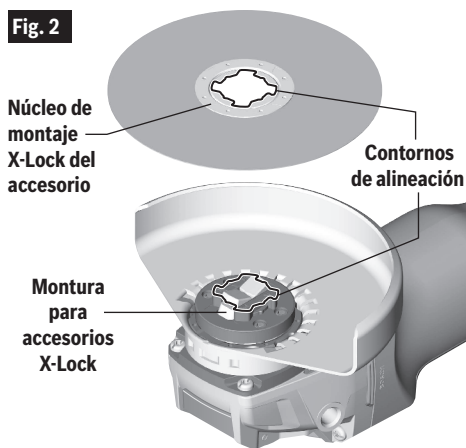
Las amoladoras tradicionales tienen husillos roscados de 5/8 de pulgada-11 que requieren una tuerca y una pestaña de soporte para sujetar el accesorio en la posición correcta. Para reemplazar un accesorio se utiliza una llave de tuerca para aflojar o apretar la tuerca. Las amoladoras equipadas con X-Lock tienen un sistema de interfaz libre de herramientas, lo cual elimina el husillo, la pestaña de soporte y la tuerca de fijación.

La interfaz X-Lock tiene un componente en la herramienta –la montura para accesorios X-Lock– y un componente en el accesorio –típicamente un núcleo de montaje X-Lock del accesorio–. Los dos componentes tienen contornos de alineación encastrados, lo cual ayuda a asegurar el ensamblaje correcto del accesorio en la herramienta.

La montura para accesorios X-Lock consiste en una base redonda, calibres de altura de sujeción y un mecanismo de fijación, el cual activa las lengüetas de sujeción. Las amoladoras equipadas con X-Lock solo se pueden usar con accesorios X-Lock, ya que el núcleo de montaje X-Lock diseñado especialmente coincide con los contornos de la montura para accesorios X-Lock ubicada en la herramienta (vea la figura 2). Sin embargo, hay accesorios X-Lock selectos que son retrocompatibles con el diseño de husillo roscado tradicional.

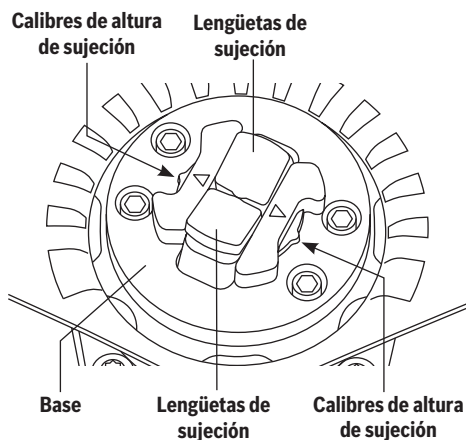
La sujeción del accesorio X-Lock a la montura para accesorios X-Lock ubicada en la amoladora requiere la alineación del núcleo de montaje con el mecanismo de montaje de accesorios. Una vez que el núcleo de montaje X-Lock del accesorio esté alineado y presionado contra la base de la montura para accesorios X-Lock, se activará el mecanismo de fijación. Esto hace que las dos lengüetas de fijación opuestas fijen el accesorio a la amoladora. Un “clic” audible en combinación con la alineación de la superficie plana del núcleo de montaje X-Lock del accesorio con los calibres de altura de sujeción significa que el accesorio está firmemente sujeto a la herramienta. Para retirar el accesorio se acciona una palanca ubicada en el cabezal de engranajes de la amoladora, lo cual liberará las lengüetas de fijación y permitirá retirar el accesorio de la herramienta (Fig. 3).

Fig. 2



Calibres de altura de sujeción

Lengüetas de sujeción

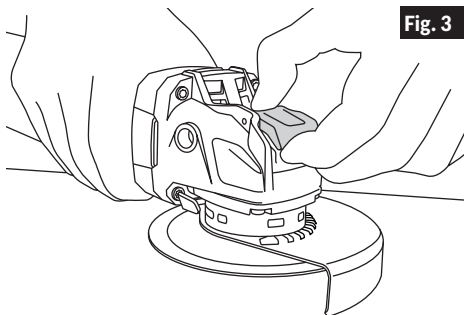


Base

Lengüetas de sujeción

Calibres de altura de sujeción

Fig. 3



Operación de freno

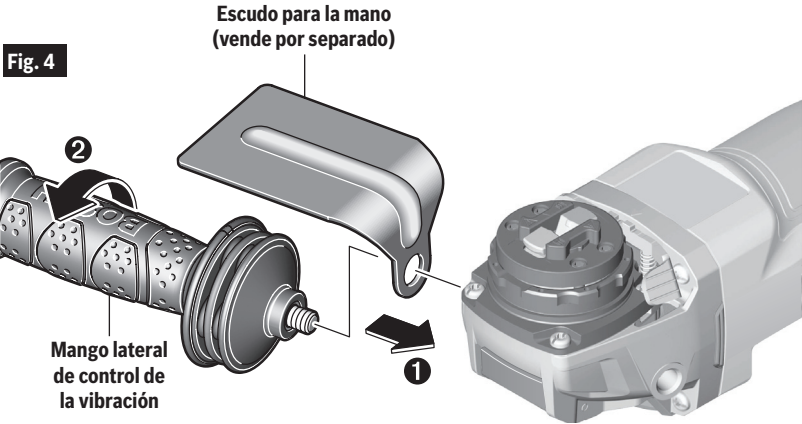
⚠ ADVERTENCIA Deje que el accesorio de la amoladora se detenga por completo antes de dejar la herramienta en algún lugar. La acción del freno de esta amoladora no está diseñada como dispositivo de seguridad. El uso del protector adecuado cuando se utilice la amoladora es la mejor protección de la que usted dispone contra el contacto accidental con un accesorio que esté girando. Un contacto accidental con un accesorio que esté rotando puede causar daños materiales y/o lesiones corporales.

⚠ ADVERTENCIA Conozca el estado de carga de su batería. La acción de frenado eléctrico es iniciada SOLO por la liberación del interruptor gatillo y en una herramienta que tenga alimentación eléctrica disponible. Cuando se pierda la alimentación eléctrica debido a que la batería esté descargada u otras causas, el freno eléctrico no funcionará y el motor reducirá su velocidad gradualmente. Es posible que un tiempo inesperado de desaceleración hasta detenerse cause daños materiales y/o lesiones corporales.

La amoladora está equipada con un freno eléctrico automático que está diseñado para hacer que el accesorio deje de girar en aproximadamente dos (2) segundos después de que usted suelte el interruptor gatillo. Esta función ayuda a mejorar la productividad en el sitio de construcción.

El frenado comienza una vez que se apague la herramienta. Para que el freno funcione es necesario que la batería esté cargada. El tiempo de parada variará dependiendo, entre otros factores, del accesorio utilizado y del número de accionamientos. El freno eléctrico de la amoladora ha sido diseñado para ofrecer un alto grado de confiabilidad, pero las circunstancias inesperadas, tales como contaminación o una falla de los componentes del motor, pueden hacer que el freno no se active. Si la herramienta funciona pero el freno no detiene sistemáticamente el accesorio en aproximadamente 2 segundos, NO utilice la amoladora y haga que reciba servicio de ajustes y reparaciones por un Centro de Servicio de Fábrica Bosch o un centro de servicio autorizado Bosch.

⚠ ADVERTENCIA Desconecte el enchufe de la fuente de alimentación y/o retire el paquete de batería de la herramienta eléctrica, si es extraíble, antes de hacer cualquier ajuste, cambiar accesorios o almacenar herramientas eléctricas. Dichas medidas preventivas de seguridad reducen el riesgo de arrancar accidentalmente la herramienta eléctrica.



Inserción del módulo de conectividad Bluetooth para herramientas

Lea las instrucciones de utilización correspondientes para obtener información sobre el módulo de conectividad Bluetooth® para herramientas.

Instalación del mango lateral

El mango lateral se utiliza para controlar y equilibrar la herramienta. Enrosque el mango de manera segura en cualquiera de los dos lados de la caja de engranajes, dependiendo de su preferencia personal, su comodidad y la operación que se vaya a realizar. El mango siempre se debe instalar en el lado de la herramienta protegido por el protector (Fig. 4). Utilice el mango lateral para tener un control seguro y facilitar la operación.

Escudo para la mano

El escudo para la mano se debe utilizar con las almohadillas de refuerzo, los discos de lijar y los cepillos de alambre, para mantener los dedos y la mano alejados de la superficie de trabajo, los bordes afilados, las rebabas y los residuos. Cuando utilice el accesorio del escudo para la mano, inserte el mango lateral a través del agujero ubicado en el escudo y luego enrósquelo en la carcasa (Fig. 4). Asegúrese de que el escudo para la mano esté posicionado entre la mano y la almohadilla de refuerzo, el disco de lijar o el cepillo de alambre.

Instalación de los protectores de la rueda (protectores de la rueda de Tipo 27 y Tipo 41/1A)

⚠ ADVERTENCIA Se debe utilizar un protector de Tipo 27 con todas las ruedas de amolar, todos los discos de aletas de lijar con cuerpo adherido, todos los cepillos de alambre y todas las ruedas. La herramienta se puede utilizar sin protector solamente cuando se lije con discos de lijar convencionales.

Para instalar el protector (Fig. 5)

1. Desenchufe la herramienta de la fuente de alimentación.
2. Posicione el protector apropiado sobre la montura del collarín de manera que las flechas ubicadas en el protector y la montura del collarín estén alineadas.
3. Rote el protector de la rueda en el sentido de las agujas del reloj 90° hasta que el protector se acople con un clic en su sitio.
4. Ajuste el protector presionando el botón de liberación del protector y rótelo hasta la posición deseada. Posicione siempre el protector de la rueda entre el operador y la pieza de trabajo, y dirija las chispas de manera que se alejen del operador, Fig. 6.
5. Deje que el botón de liberación del protector se acople con un clic en su sitio.

Para retirar el protector de la rueda

1. Presione el botón de liberación del protector y rote el protector hasta que las flechas ubicadas en el mismo y la montura del collarín se alineen (Fig. 5).
2. Retire el protector de la montura del collarín.

Fig. 5

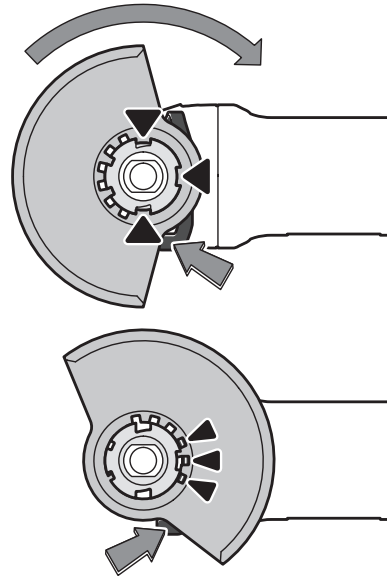
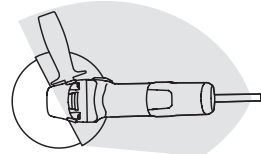
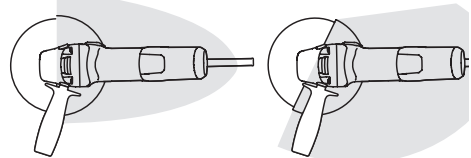


Fig. 6



ZONA DE OPERACIÓN



Montaje y remoción de los accesorios X-Lock

⚠ ADVERTENCIA Utilice únicamente accesorios X-LOCK Bosch o con licencia de Bosch. Es posible que los accesorios incompatibles no se sujeten adecuadamente y con ello causen lesiones corporales y/o daños materiales.

⚠ ADVERTENCIA Confirme que la sujeción es adecuada asegurándose de que la parte superior de la superficie de la pestaña del accesorio no esté por encima de la parte superior del calibre de altura para el accesorio. Es posible que los accesorios que estén por encima de dicho calibre de altura no queden sujetos adecuadamente y se separen de la herramienta, causando lesiones corporales y/o daños materiales.

⚠ ADVERTENCIA Inspeccione siempre la montura para accesorios y la pestaña de sujeción del accesorio antes de usar la herramienta. No utilice la herramienta ni el accesorio si la montura del accesorio o el accesorio están dañados o deformados. Es posible que los accesorios que no estén sujetos adecuadamente causen lesiones corporales y/o daños materiales.

⚠ ADVERTENCIA Compruebe si hay presencia o acumulación de material extraño en las superficies de sujeción de la herramienta y del accesorio, y retire dicho material antes de utilizar la herramienta. El material no deseado puede causar una sujeción incompleta y es posible que cause lesiones corporales y/o daños materiales.

⚠ ADVERTENCIA No accione nunca la palanca de liberación X-Lock mientras el accesorio se esté moviendo. Asegúrese de que el accesorio se haya detenido por completo antes de retirarlo. Si libera el accesorio mientras aún esté girando podría causar lesiones corporales y/o daños materiales.

Verifique que el accesorio y la montura para accesorios X-Lock no estén deformados y están libres de suciedad. Si es necesario, limpie el área alrededor de los dos enganches X-Lock.

Asegúrese de que ambos enganches X-Lock estén abiertos (vea la Fig. 7) antes de instalar el accesorio X-Lock.

Montaje de un accesorio en la herramienta

1. Coloque el accesorio sobre la montura para accesorios X-Lock, alineando los contornos de alineación del núcleo de montaje X-Lock del accesorio con la montura para accesorios X-Lock ubicada en la amoladora (Fig. 7).

Fig. 7

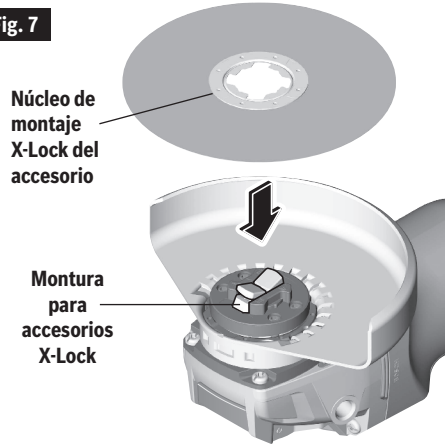


Fig. 8



2. Empuje el accesorio hacia el interior de la montura para accesorios X-Lock. El accesorio hará un clic audible cuando las lengüetas de sujeción queden fijadas en la posición correcta (Fig. 8).
3. Compruebe si el borde del núcleo de montaje X-Lock del accesorio está acoplado correctamente en las ranuras de las lengüetas de sujeción X-Lock (Fig. 9). Si la superficie superior del núcleo de montaje X-Lock del accesorio es más alta que el calibre de altura de sujeción (ubicado a cada lado de la montura para accesorios X-Lock), el accesorio X-Lock no se debe utilizar hasta que esta situación se haya eliminado limpiando la montura para accesorios X-Lock o reemplazando el accesorio.

Remoción de los accesorios

⚠ ADVERTENCIA No accione nunca la palanca de liberación X-Lock mientras el accesorio se esté moviendo. Asegúrese de que el accesorio se haya detenido por com-

Ensamblaje

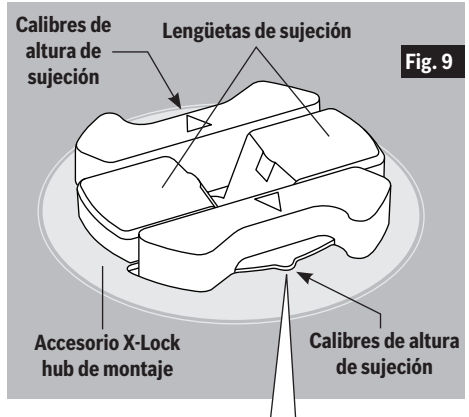
pleto antes de retirarlo. Si libera el accesorio mientras aún esté girando podría causar lesiones corporales y/o daños materiales.

⚠ ADVERTENCIA No toque los discos de amolar y de corte hasta que se hayan enfriado. Los discos se pueden poner muy calientes mientras se estén utilizando en el trabajo.

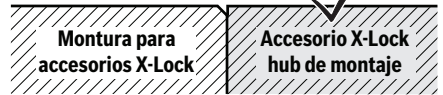
⚠ ADVERTENCIA No deje que los accesorios se caigan de manera incontrolable después de liberarlos. Los accesorios que se caigan pueden resultar dañados y es posible que causen lesiones corporales y/o daños materiales.

⚠ ADVERTENCIA No utilice un accesorio que esté dañado. Antes de cada uso, inspeccione el accesorio, como por ejemplo las ruedas abrasivas para comprobar si tienen picaduras y grietas, la zapata de soporte para comprobar si tiene grietas, desgarraduras o desgaste excesivo, y el cepillo de alambre para comprobar si hay alambres flojos o agrietados. Si la herramienta mecánica o el accesorio se cae, realice una inspección para comprobar si se ha dañado o instale un accesorio que no esté dañado. Después de inspeccionar e instalar un accesorio, posicione usted y posicione a las personas que estén presentes alejados del plano del accesorio que gira y haga funcionar la herramienta mecánica a la máxima velocidad sin carga durante un minuto. Normalmente, los accesorios dañados se romperán en pedazos durante este tiempo de prueba.

1. Oriente la herramienta de manera que se impida que el accesorio se caiga durante su liberación.
2. Para abrir la palanca de liberación X-Lock (Fig. 10):
 - (A) Presione sobre el lado trasero de la palanca.
 - (B) Levante el lado delantero de la palanca jalándolo.
3. Retire el accesorio de la herramienta con cuidado, evitando que se caiga.



CORRECTO: la altura del accesorio X-Lock hub es igual o menor que el soporte para accesorios X-Lock



INCORRECTO: la altura del accesorio X-Lock hub es mayor que el soporte para accesorios X-Lock

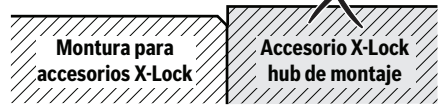
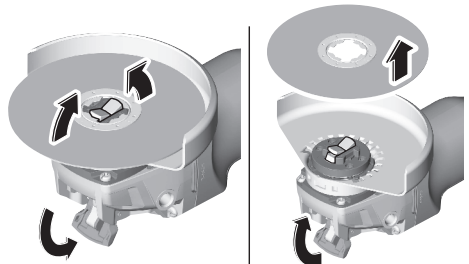
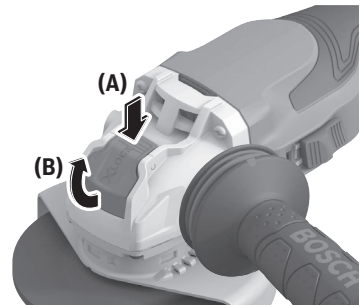


Fig. 10

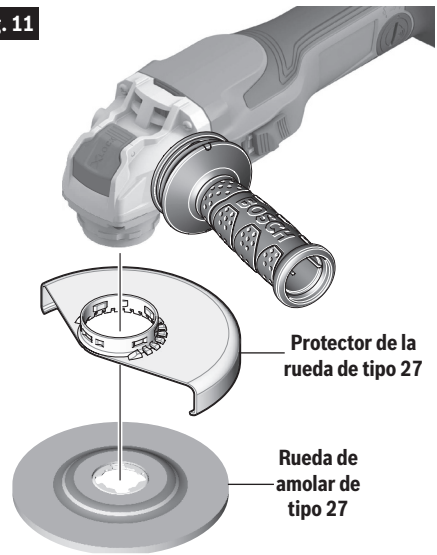


Ensamblaje de la rueda de amolar de tipo 27 y el disco de aletas de lijado de tipo 27

⚠ ADVERTENCIA No utilice accesorios que funcionen excéntricamente. La herramienta vibrará excesivamente y podrá causar pérdida de control, y es posible que el accesorio reviente.

Para instalar la rueda de amolar o el disco de aletas (Fig. 11), consulte las instrucciones de la página 61.

Fig. 11

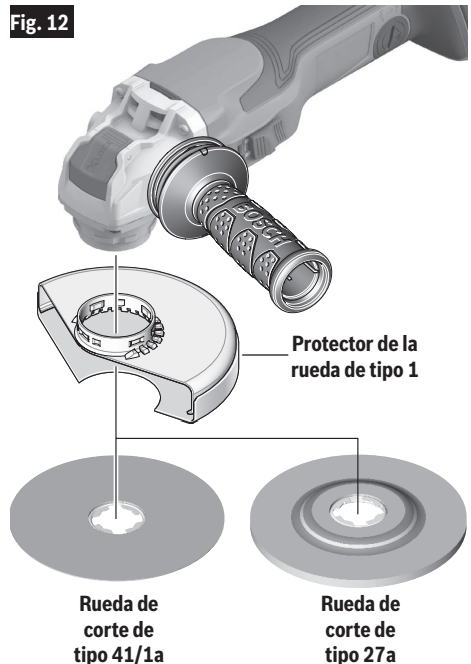


Ensamblaje de la rueda de corte abrasivo de Tipo 41/1A

⚠ ADVERTENCIA Utilice siempre un protector para cortar de tipo 1 para las operaciones de corte. Es posible que otros protectores o aditamentos no protejan al operador en el caso de que la rueda reviente.

Para instalar la rueda de corte (Fig. 12), consulte las instrucciones de la página 61.

Fig. 12



Ensamblaje para lijar

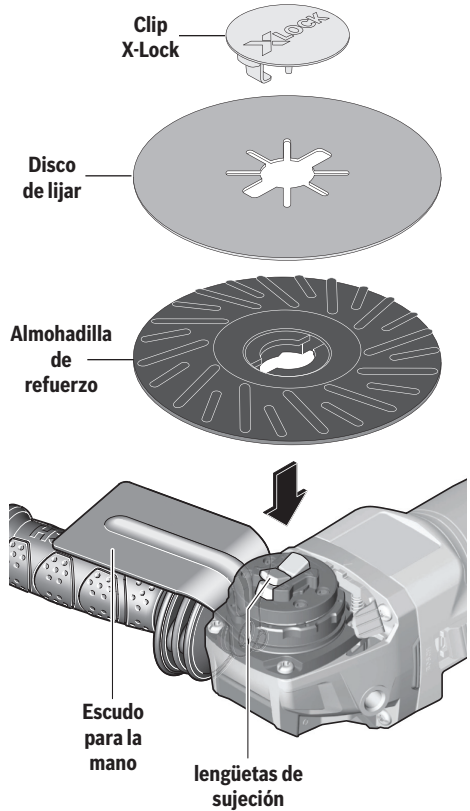
⚠ ADVERTENCIA No se puede utilizar un protector de la rueda de tipo 27 para todas las operaciones de la herramienta. No deseches el protector cuando no lo esté usando. Reinstale siempre el protector de la rueda cuando realice la conversión de vuelta para operaciones de amolado.

El escudo para la mano se debe utilizar con las almohadillas de refuerzo, los discos de lijar y los cepillos de alambre, para mantener los dedos y la mano alejados de la superficie de trabajo, los bordes afilados, las rebabas y los residuos. Cuando utilice el accesorio de escudo para la mano, inserte el mango lateral a través del agujero ubicado en el escudo y luego enrósquelo en la carcasa (Fig. 4). Asegúrese de que el escudo para la mano esté posicionado entre la mano y la almohadilla de refuerzo, el disco de lijar o el cepillo de alambre.

Para instalar la almohadilla de refuerzo y el disco de lijar (Fig. 13)

1. Inspeccione el escudo para la mano con el fin de asegurarse de que esté instalado correctamente en la amoladora.
2. Coloque la almohadilla de refuerzo sobre la montura para accesorios X-Lock con las aberturas rectangulares posicionadas alrededor de las lengüetas de sujeción X-Lock.
3. Centre el disco de lijar sobre la parte superior de la almohadilla de refuerzo y alinee las aberturas rectangulares con las lengüetas de fijación ubicadas en la montura para accesorios X-Lock.
4. Alinee el clip X-Lock con las ranuras ubicadas en el disco de lijar. Inserte el clip X-Lock a través del disco de lijar y aplíquelo presión, hasta que las lengüetas de sujeción lo acoplen por completo, lo cual será indicado por un "clic" audible.
5. Para retirar el ensamblaje de lijar de la amoladora, siga las instrucciones de Montaje y remoción de accesorios X-Lock que comienzan en la página 61.

Fig. 13



Ensamblaje del cepillo acopado de alambre de alambre

⚠ ADVERTENCIA No se puede utilizar un protector de la rueda de tipo 27 para todas las operaciones de la herramienta. No deseche el protector cuando no lo esté usando. Reinstale siempre el protector de la rueda cuando realice la conversión de vuelta para operaciones de amolado. Cuando utilice ruedas acopadas de alambre, la herramienta se podrá usar sin protector.

⚠ ADVERTENCIA Use guantes protectores cuando maneje accesorios tipo cepillo de alambre. Es posible que el manejo sin guantes de accesorios tipo cepillo de alambre cause lesiones corporales.

Para instalar el cepillo acopado de alambre (Fig. 14)

Siga las instrucciones de Montaje y remoción de accesorios X-Lock que comienzan en la página 61.

Fig. 14

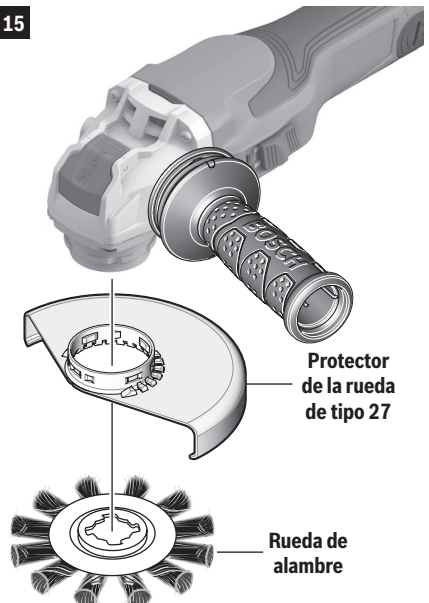


Ensamblaje de una rueda de alambre

Para instalar una rueda de alambre (Fig. 15)

1. Inspeccione y ajuste el protector para amolar tipo 27 en la posición correcta, de la manera que se muestra en la figura 6 de la página 60.
2. Siga las instrucciones de "Montaje de un accesorio en la herramienta" y "Remoción de los accesorios" en la página 61.

Fig. 15



Ensamblaje del protector para cortar mampostería

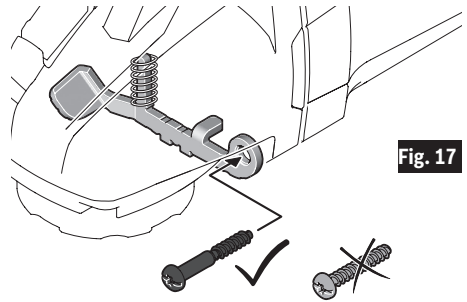
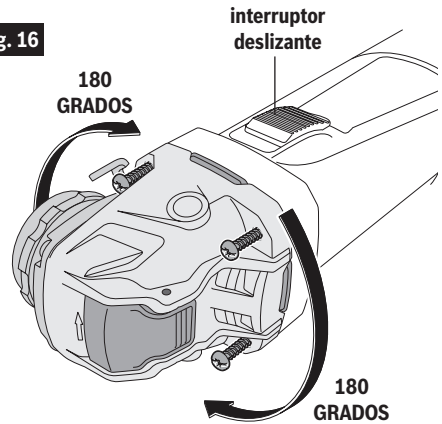
⚠ ADVERTENCIA No se puede utilizar un protector de la rueda de tipo 27 para todas las operaciones de la herramienta. No deseche el protector cuando no lo esté usando. Reinstale siempre el protector de la rueda cuando realice la conversión de vuelta para operaciones de amolado.

Para mejorar la ergonomía de su amoladora cuando corte mampostería, la caja de engranajes se debe rotar respecto a la posición del interruptor con que la herramienta se ensambló en la fábrica.

Rote la caja de engranajes

1. Desenrosque completamente los cuatro tornillos ubicados entre la caja de engranajes y el cuerpo del motor.
2. Rote la caja de engranajes hasta la orientación apropiada sin retirar el motor de la carcasa.
 - a. Para los modelos con interruptor deslizable, rote la caja de engranajes 180 grados, de manera que el interruptor esté a 90 grados del soporte X-Lock (Fig. 16).
3. Enrosque y apriete los cuatro tornillos que retiró anDespués de ajustar la posición de la caja de engranajes, atorníllela y apriete los cuatro tornillos.
4. El tornillo que sujeta la palanca de liberación del protector es más largo que los otros tornillos (Fig. 17). Este tornillo largo debe permanecer con la palanca de liberación del protector cuando se reinstale la caja de engranajes, para que el botón de liberación del protector funcione correctamente.
5. Para instalar el protector adecuado, siga las instrucciones de la siguiente sección.

Fig. 16



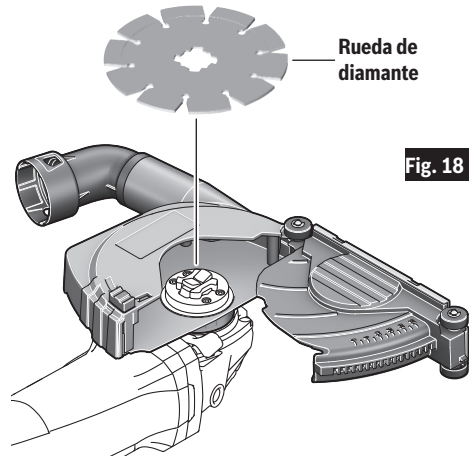
Instalación del protector de tipo 41/1A para cortar mampostería

Siga todas las instrucciones suministradas con el protector para cortar tipo 41/1A para mampostería con el fin de instalarlo y utilizarlo con esta amoladora.

Instalación de una rueda de diamante para cortar en seco

Siga todas las instrucciones suministradas con el protector para cortar tipo 41/1A para mampostería con el fin de prepararlo para la instalación de accesorios compatibles y su utilización.

Para instalar una rueda de diamante para cortar en seco (Fig. 18), consulte las instrucciones que aparecen en la página 74.



Introducción y suelta del paquete de baterías

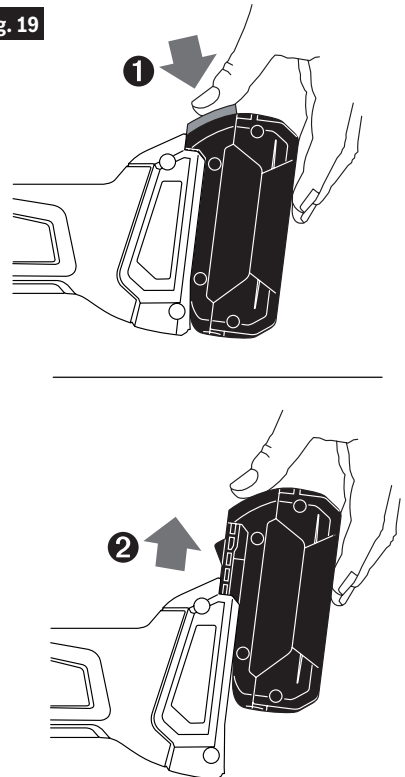
Para insertar el paquete de batería, deslícelo hacia el interior de la carcasa hasta que dicho paquete se bloquee en la posición correcta.

La herramienta está equipada con un pestillo de fijación secundario para impedir que dicho paquete se caiga y salga completamente del mango, en caso de que se afloje debido a la vibración.

Para quitar el paquete de baterías, oprima el botón de liberación del paquete de baterías y deslice dicho paquete hacia delante (Fig. 19).

Oprima de nuevo el botón de liberación del paquete de baterías y deslice dicho paquete completamente hacia afuera hasta sacarlo de la carcasa de la herramienta.

Fig. 19



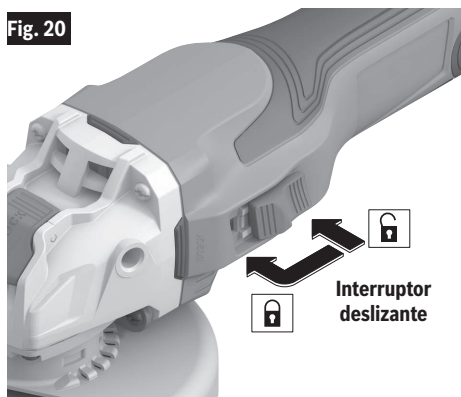
Instrucciones de operación

⚠ ADVERTENCIA No deje nunca el gatillo bloqueado en la posición de “ENCENDIDO”. Antes de enchufar la herramienta, compruebe que el cierre del gatillo esté en la posición de “APAGADO”. Los arranques accidentales podrían causar lesiones.

⚠ ADVERTENCIA Conozca la ubicación y el ajuste del botón de “Fijación en ENCENDIDO” del interruptor. Si el interruptor está bloqueado en la posición de “ENCENDIDO” durante el uso, esté preparado para, en situaciones de emergencia, ponerlo en la posición de “APAGADO”.

⚠ ADVERTENCIA No utilice la función de “Fijación en ENCENDIDO” del interruptor en situaciones en las que el retroceso sea probable, como por ejemplo cuando se trabaje en una esquina. Cuando la rueda se atore, la herramienta experimentará retroceso en sentido opuesto al de la rotación de la rueda y puede que la liberación de la “Fijación en ENCENDIDO” del gatillo sea difícil.

Fig. 20



Interruptor deslizante (Fig. 20)

PARA ENCENDER LA HERRAMIENTA, presione la parte trasera del interruptor y deslícelo hacia delante, hacia la caja de engranajes, y hasta la posición de ENCENDIDO. PARA BLOQUEAR EL INTERRUPTOR EN LA POSICIÓN DE “ENCENDIDO”, cuando el interruptor se haya deslizado hasta la posición de “ENCENDIDO”, ruede el interruptor hacia delante. PARA APAGAR LA HERRAMIENTA, presione la parte trasera del interruptor. El interruptor está accionado por resorte y regresará automáticamente a la posición de “APAGADO”.

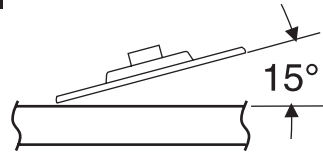
Instrucciones de operación

Amolado de metal

Las ruedas de amolar se deben seleccionar cuidadosamente para utilizar la amoladora de la manera más eficiente posible. Las ruedas varían en tipo de abrasivo, adhesión, dureza, tamaño de grano y estructura. La rueda correcta que se debe utilizar es determinada por el trabajo. Utilice ruedas de amolar de disco para realizar amolado rápido de acero estructural, cordones de soldadura pesada y piezas fundidas de acero, así como acero inoxidable y otros metales ferrosos.

1. Deje que la herramienta alcance la máxima velocidad antes de tocar la superficie de trabajo con ella.
2. Aplique una presión mínima a la superficie de trabajo, dejando que la herramienta funcione a alta velocidad. La tasa de amolado es máxima cuando la herramienta funciona a alta velocidad.
3. Mantenga un ángulo de 10° a 15° entre la herramienta y la superficie de trabajo (Fig. 21).

Fig. 21



4. Mueva continuamente la herramienta a una velocidad moderada para evitar crear surcos en la superficie de trabajo.
5. Retire la herramienta de la superficie de trabajo antes de apagarla. Deje que la herramienta pare de rotar antes de dejarla en algún sitio.

Consejo: Cuando amole con una rueda nueva, asegúrese de amolar mientras jala la herramienta hacia atrás, hasta que la rueda se redondee en su borde. Las ruedas nuevas tienen bordes afilados que tienden a penetrar o cortar en la pieza de trabajo cuando se empujan hacia adelante.

Corte de metal

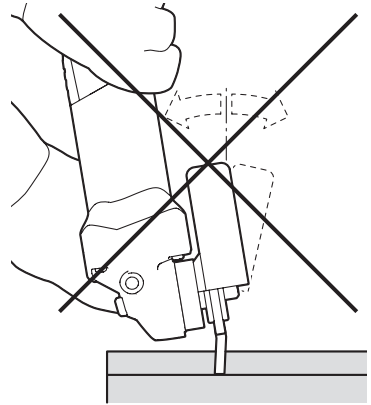
⚠ ADVERTENCIA Es posible que no se incluya un protector de la rueda de Tipo 41/1A con esta herramienta, pero dicho protector se requiere cuando se utilice una rueda de corte. Puede que cortar con un protector de la rueda de Tipo 27 no ofrezca al operador suficiente protección en el caso de que la rueda reviente.

Con esta amoladora es posible realizar corte de material pequeño limitado, como por ejemplo tubos, tuberías o barras de refuerzo de metal. Cuando corte, trabaje con una velocidad de avance moderada, adaptada al material que se esté cortando. Cuando corte perfiles y barra cuadrada, lo mejor es comenzar en la sección transversal más pequeña.

Siga siempre las precauciones para evitar el retroceso.

1. Deje que la herramienta alcance la máxima velocidad antes de tocar la superficie de trabajo con ella.
2. La herramienta se deberá usar siempre de manera que las chispas se dirijan alejándose del usuario.
3. Aplique una presión mínima a la superficie de trabajo, dejando que la herramienta funcione a alta velocidad. La tasa de corte es máxima cuando la herramienta funciona a alta velocidad.

Fig. 22



4. No ejerza presión lateral sobre el disco de corte. No incline ni oscile la herramienta, ya que puede que la rueda reviente (Fig. 22).
5. Retire la herramienta de la superficie de trabajo antes de apagarla. Deje que la herramienta pare de rotar antes de dejarla en algún sitio.

Instrucciones de operación

Corte de mampostería / concreto

Con esta amoladora es posible realizar corte de materiales de concreto y de mampostería. Cuando corte, trabaje con una velocidad de avance moderada, adaptada al material que se esté cortando.

Siga siempre las precauciones para evitar el retroceso.

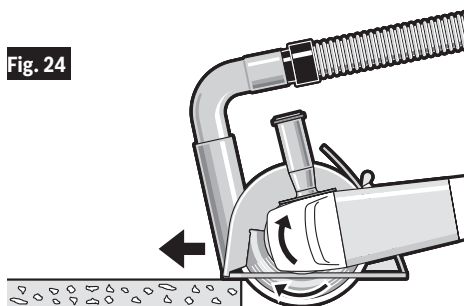
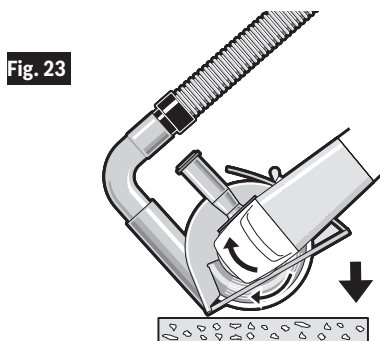
Utilice la herramienta con un sistema de extracción de polvo y protección personal contra el polvo, como por ejemplo, un respirador, una máscara antipolvo, etc. La aspiradora utilizada para esta aplicación debe estar aprobada para la extracción de polvo de mampostería y de concreto. Bosch vende aspiradoras adecuadas.

⚠ ADVERTENCIA No jale nunca la herramienta hacia atrás, ya que la rueda se saldrá del material y ocurrirá **RETROCESO**.

1. Deje que la herramienta alcance la máxima velocidad antes de tocar la superficie de trabajo con ella.
2. Si realiza cortes de inmersión:
 - a. Incline la herramienta hacia delante con la rueda alineada con la línea de corte y sujete la herramienta por el cuerpo de la amoladora y el mango auxiliar (Fig. 23).
 - b. Baje gradualmente la parte trasera de la herramienta, utilizando el extremo delantero del pie como punto de bisagra.
 - c. Cuando el pie descanse en posición plana sobre la superficie que se esté cortando, proceda a cortar en dirección hacia delante hasta el final del corte.
3. Mantenga siempre el contacto entre el pie del protector y la pieza de trabajo.
4. Deslice la herramienta hacia delante a una velocidad moderada, adaptada al material que se esté cortando. Corte siempre hacia el puerto de extracción de polvo para maximizar la extracción de polvo y reducir las probabilidades de retroceso (Fig. 24).
5. Aplique una presión mínima a la superficie de trabajo, dejando que la herramienta funcione a alta velocidad. La tasa de corte es máxima cuando la herramienta funciona a alta velocidad.
6. Cuando se haya completado el corte, retire la herramienta de la pieza de trabajo antes de apagarla. Deje que la rueda pare de rotar antes de dejar la herramienta en algún sitio.

Consejo: Cuando realice cortes profundos, lo mejor es cortar en varias pasadas poco profundas. Cada pasada debería ser sólo hasta la profundidad del segmento de la rueda. El polvo de mampostería es abrasivo y es posible que desgaste y debilite la adhesión del segmento. Cuando corte material especialmente duro, como por ejemplo concreto con un alto contenido de grava, la rueda de diamante para cortar en seco se puede recalentar y resultar dañada. Esto es indicado claramente por la generación circular de chispas por la rueda de diamante para cortar en seco durante su rotación. En este caso, interrumpa el proceso de corte y deje que la rueda de diamante para cortar en seco se enfríe, haciendo funcionar la herramienta durante un corto periodo de tiempo a la máxima velocidad sin carga.

Una disminución notable del progreso del trabajo y la generación circular de chispas son indicaciones de que la rueda de diamante para cortar en seco se ha desafilado. Cortar brevemente en materiales abrasivos (por ejemplo, ladrillo) puede reafilarse la rueda.



Instrucciones de operación

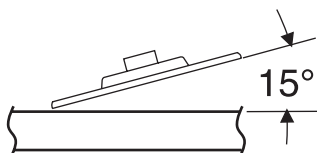
Lijado

Los discos de lijar oscilan en grano desde 16 (muy grueso) hasta 180 (muy fino). También varían en tamaño y separación del grano.

Los discos de CAPA ABIERTA (tipo H) se utilizan para materiales blandos y sobre pintura y barniz. Los discos de CAPA CERRADA (tipo K) se utilizan para metal, madera dura, piedra, mármol y otros materiales. Para obtener los mejores resultados, seleccione cuidadosamente los discos de lijar. Muchos trabajos requieren el uso de varios tamaños de grano y a veces se requieren discos tanto de capa abierta como de capa cerrada para completar el trabajo.

1. Deje que la herramienta alcance la máxima velocidad antes de tocar la superficie de trabajo con ella.
2. Aplique una presión mínima a la superficie de trabajo, dejando que la herramienta funcione a alta velocidad. La tasa de lijado es máxima cuando la herramienta funciona a alta velocidad.

Fig. 25



3. Mantenga un ángulo de 10° a 15° entre la herramienta y la superficie de trabajo (Fig. 25).
4. Mueva continuamente la herramienta a una velocidad moderada para evitar crear surcos en la superficie de trabajo.
5. Retire la herramienta de la superficie de trabajo antes de apagarla. Deje que la herramienta pare de rotar antes de dejarla en algún sitio.

Consejos: Guíe el disco con pasadas entrecruzadas. No utilice un movimiento circular, ya que esto produce marcas de espiral.

Operación: Reacabado de superficies de madera o metal pintadas

OBSERVACIONES	GRANO
Para retirar pintura y alisar las irregularidades de la superficie.	Grueso 16-24-30
Para alisar el lijado basto.	Mediano 36-50-80
Para retirar los surcos dejados por los discos anteriores.	Fino 100-120
Para alisar superficies para pintar, pulir o encerar.	Muy Fino 150-180

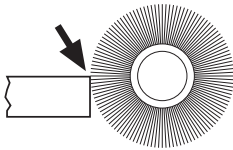
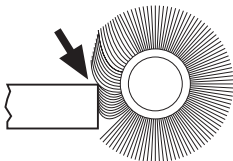
Instrucciones de operación

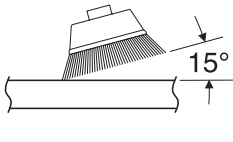
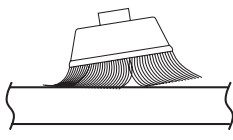
Cepillo de alambre (ruedas y copas)

Los cepillos de alambre están diseñados para “limpiar” acero estructural, piezas fundidas, chapa metálica, piedra y concreto. Se utilizan para retirar óxido, costra y pintura.

1. Deje que la herramienta alcance la máxima velocidad antes de tocar la superficie de trabajo con ella.
2. Aplique una presión mínima a la superficie de trabajo, dejando que la herramienta funcione a alta velocidad.
3. Mueva continuamente la herramienta a una velocidad moderada para evitar crear surcos en la superficie de trabajo.
4. Retire la herramienta de la superficie de trabajo antes de apagar la herramienta. Deje que la herramienta pare de rotar antes de dejarla en algún sitio.

Consejo: Las puntas del cepillo hacen el trabajo. Utilice los cepillos de alambre con la presión más ligera posible, para que sólo las puntas del alambre entren en contacto con la pieza de trabajo. Si se usan presiones más elevadas, los alambres serán sometidos a sobre esfuerzo, lo cual causará una acción de barrido y acortará la vida útil del cepillo debido a la fatiga del alambre. Si se aplica el lado o el borde del cepillo a la pieza de trabajo, el resultado será rotura del alambre y una vida útil más corta del cepillo.

CEPILLO DE RUEDA DE ALAMBRE	
CORRECTO: Las puntas de los alambres están haciendo el trabajo.	
INCORRECTO: Una presión excesiva puede causar la rotura de los alambres.	

CEPILLO ACOPADO DE ALAMBRE	
CORRECTO: Las puntas de los alambres están haciendo el trabajo.	
INCORRECTO: Una presión excesiva puede causar la rotura de los alambres.	

Instrucciones de operación

Utilización de la aplicación “Bosch toolbox”

Después de aparear su herramienta con un dispositivo móvil, puede ajustar ciertas funciones o comprobar el estado de la herramienta eléctrica utilizando la aplicación Bosch Toolbox.

A. Botón de ayuda: Al presionar suavemente este botón aparecerá la pantalla de ayuda.

B. Foto de la herramienta: Al presionar suavemente sobre la foto, usted podrá personalizar la fotografía de la herramienta.

C. Estado de carga de la batería de la herramienta eléctrica: El número de “baterías” verdes indica el nivel de carga estimado del paquete de batería.

D. Apodo de la herramienta eléctrica: Al presionar suavemente sobre el ícono de “lápiz”, usted podrá personalizar el apodo de la herramienta. También podrá hacerlo cuando cambie la foto de la herramienta.

E. Barra de estado de la conexión: Aquí usted puede ver la fuerza de la (señal de) conexión indicada por barras verticales. Puede usar el interruptor basculante para desconectar la herramienta de su dispositivo móvil.

F. Interruptor basculante de reajuste a la configuración de fábrica: Usted puede reajustar la configuración de la herramienta a los ajustes preestablecidos en la fábrica.

G. Alertas de la herramienta: Al pulsar suavemente el “triángulo de alertas” se mostrará cualquier alerta recibida de la herramienta.

H. Botón de información: Muestra la información y las especificaciones de la herramienta.



Mantenimiento

⚠ ADVERTENCIA Para evitar accidentes, desconecte siempre el paquete de batería de la herramienta antes de realizar servicio de ajustes y reparaciones o limpieza.

Servicio

⚠ ADVERTENCIA NO HAY PIEZAS EN EL INTERIOR QUE PUEDAN SER AJUSTADAS O REPARADAS POR EL USUARIO. El mantenimiento preventivo realizado por personal no autorizado puede dar lugar a la colocación incorrecta de cables y componentes internos que podría constituir un peligro serio. Recomendamos que todo el servicio de las herramientas sea realizado en un Centro de servicio de fábrica Bosch o en una Estación de servicio Bosch autorizada.

Baterías

Esté alerta a los paquetes de baterías que estén aproximándose al final de su vida útil. Si observa una disminución del rendimiento de la herramienta o un tiempo de funcionamiento significativamente más corto entre cargas, entonces ha llegado el momento de cambiar el paquete de baterías. Si no se hace esto, el resultado puede ser que la herramienta funcione incorrectamente o que el cargador se dañe.

Lubricación de la herramienta

Su herramienta Bosch ha sido lubricada adecuadamente y está lista para la utilización.

Motores “corriente directa”

El motor de la herramienta ha sido diseñado para muchas horas de servicio fiable. Para mantener un rendimiento óptimo del motor, recomendamos que éste sea examinado cada seis meses. Sólo se debe usar un motor de repuesto Bosch genuino diseñado especialmente para la herramienta.

Limpieza

⚠ PRECAUCIÓN Ciertos agentes y solventes de limpieza dañan las piezas de plástico. Algunos de éstos son: gasolina, tetracloruro de carbono, solventes de limpieza clorados, amoníaco y detergentes domésticos que contienen amoníaco.

Las aberturas de ventilación y las palancas de interruptor se deben mantener limpias y libres de materia extraña. No intente limpiarlas insertando objetos puntiagudos a través de las aberturas.

Almacenamiento y mantenimiento de los accesorios

Almacene los accesorios en un lugar fresco y seco y evite que se congelen. Antes de usarlos, compruebe si hay grietas y fracturas y no los use si se sospecha que están dañados.

Accesorios

⚠ ADVERTENCIA El uso de accesorios no especificados para utilizarse con la herramienta descrita en este manual podría crear un peligro.

⚠ ADVERTENCIA No utilice ruedas abrasivas (acopadas) de tipo 11 con esta herramienta. Esta herramienta no está diseñada para utilizarse con ruedas de amolar abrasivas (acopadas) de tipo 11.

Equipo estándar	Accesorios opcionales
Protector de la rueda de Tipo 27 Mango laterale	Protector de la rueda de Tipo 41/1A Protector de Tipo 41/1A para cortar mampostería Rueda de amolar Almohadilla de refuerzo Escudo para la mano

This page was intentionally left blank
Cette page a été laissée vierge intentionnellement.
Esta página se dejó intencionalmente en blanco

This page was intentionally left blank
Cette page a été laissée vierge intentionnellement.
Esta página se dejó intencionalmente en blanco

This page was intentionally left blank
Cette page a été laissée vierge intentionnellement.
Esta página se dejó intencionalmente en blanco

LIMITED WARRANTY OF BOSCH PORTABLE AND BENCHTOP POWER TOOLS

Robert Bosch Tool Corporation ("Seller") warrants to the original purchaser only, that all BOSCH portable and benchtop power tools will be free from defects in material or workmanship for a period of one year from date of purchase. Seller's sole obligation and your exclusive remedy under this Limited Warranty and, to the extent permitted by law, any warranty or condition implied by law, shall be the repair or replacement of parts, without charge, which are defective in material or workmanship and which have not been misused, carelessly handled, or misrepaired by persons other than Seller or Authorized Service Station. To make a claim under this Limited Warranty, you must return the complete portable or benchtop power tool product, transportation prepaid, to any BOSCH Factory Service Center or Authorized Service Station. For Authorized BOSCH Power Tool Service Stations, please refer to your phone directory.

This Limited Warranty does not apply to accessory ITEMS SUCH AS CIRCULAR SAW BLADES, DRILL BITS, ROUTER BITS, JIGSAW BLADES, SANDING BELTS, GRINDING WHEELS AND OTHER RELATED ITEMS.

ANY IMPLIED WARRANTIES SHALL BE LIMITED IN DURATION TO ONE YEAR FROM DATE OF PURCHASE. SOME STATES IN THE U.S., SOME CANADIAN PROVINCES DO NOT ALLOW LIMITATIONS ON HOW LONG AN IMPLIED WARRANTY LASTS, SO THE ABOVE LIMITATION MAY NOT APPLY TO YOU.

IN NO EVENT SHALL SELLER BE LIABLE FOR ANY INCIDENTAL OR CONSEQUENTIAL DAMAGES (INCLUDING BUT NOT LIMITED TO LIABILITY FOR LOSS OF PROFITS) ARISING FROM THE SALE OR USE OF THIS PRODUCT. SOME STATES IN THE U.S. AND SOME CANADIAN PROVINCES DO NOT ALLOW THE EXCLUSION OR LIMITATION OF INCIDENTAL OR CONSEQUENTIAL DAMAGES, SO THE ABOVE LIMITATION OR EXCLUSION MAY NOT APPLY TO YOU.

THIS LIMITED WARRANTY GIVES YOU SPECIFIC LEGAL RIGHTS, AND YOU MAY ALSO HAVE OTHER RIGHTS WHICH VARY FROM STATE TO STATE IN THE U.S., PROVINCE TO PROVINCE IN CANADA AND FROM COUNTRY TO COUNTRY.

THIS LIMITED WARRANTY APPLIES ONLY TO PORTABLE AND BENCHTOP ELECTRIC TOOLS SOLD WITHIN THE UNITED STATES OF AMERICA, CANADA AND THE COMMONWEALTH OF PUERTO RICO. FOR WARRANTY COVERAGE WITHIN OTHER COUNTRIES, CONTACT YOUR LOCAL BOSCH DEALER OR IMPORTER.

GARANTIA LIMITÉE DES OUTILS ÉLECTRIQUES PORTATIFS ET D'ÉTABLI BOSCH

Robert Bosch Tool Corporation (le « vendeur ») garantit à l'acheteur initial seulement que tous les outils électriques portatifs et d'établi BOSCH seront exempts de vices de matériaux ou d'exécution pendant une période d'un an depuis la date d'achat. LA SEULE OBLIGATION DU VENDEUR ET LE SEUL RECOURS DE L'ACHETEUR sous la présente garantie limitée, et en autant que la loi le permette sous toute garantie ou condition implicite qui en découlerait, sera l'obligation de remplacer ou réparer gratuitement les pièces défectueuses matériellement ou comme fabrication, pourvu que lesdites défectosités ne soient pas attribuables à un usage abusif ou à quelque réparation bricolée par quelqu'un d'autre que le vendeur ou le personnel d'une station-service agréée. Pour présenter une réclamation en vertu de cette garantie limitée, vous devez renvoyer l'outil électrique portatif ou d'établi complet, port payé, à tout centre de service agréé ou centre de service usine. Veuillez consulter votre annuaire téléphonique pour les adresses.

LA PRÉSENTE GARANTIE NE S'APPLIQUE PAS AUX ACCESSOIRES TELS QUE LAMES DE SCIES CIRCULAIRES, MÊCHES DE PERCEUSES, FERS DE TOUPIES, LAMES DE SCIES SAUTEUSES, COURROIS DE PONÇAGE, MEULES ET AUTRES ARTICLES DU GENRE.

TOUTE GARANTIE IMPLICITE SERA LIMITÉE COMME DURÉE À UN AN À COMPTER DE LA DATE D'ACHAT. CERTAINS ÉTATS AMÉRICAINS, CERTAINES PROVINCES CANADIENNES N'ADMETTANT PAS LE PRINCIPE DE LA LIMITATION DE LA DURÉE DES GARANTIES IMPLICITES, IL EST POSSIBLE QUE LES LIMITATIONS CI-DESSUS NE S'APPLIQUENT PAS À VOTRE CAS.

EN AUCUN CAS LE VENDEUR NE SAURAIT ÊTRE TENU POUR RESPONSABLE DES INCIDENTS OU DOMMAGES INDIRECTS (INCLUANT, MAIS NE SE LIMITANT PAS AUX PERTES DE PROFITS) CONSÉQUENTS À LA VENTE OU L'USAGE DE CE PRODUIT. CERTAINS ÉTATS AMÉRICAINS ET CERTAINES PROVINCES CANADIENNES N'ADMETTANT PAS LE PRINCIPE DE LA LIMITATION NI L'EXCLUSION DES DOMMAGES INDIRECTS ET CONSÉQUENTIELS, IL EST POSSIBLE QUE LES LIMITATIONS OU EXCLUSIONS CI-DESSUS NE S'APPLIQUENT PAS À VOTRE CAS.

LA PRÉSENTE GARANTIE VOUS ACCORDE DES DROITS BIEN DÉTERMINÉS, Y COMPRIS POSSIBLEMENT CERTAINS DROITS VARIABLES DANS LES DIFFÉRENTS ÉTATS AMÉRICAINS, PROVINCES CANADIENNE ET DE PAYS À PAYS.

CETTE GARANTIE LIMITÉE NE S'APPLIQUE QU'ÀUX OUTILS ÉLECTRIQUES PORTATIFS ET D'ÉTABLI VENDUS AUX ÉTATS-UNIS D'AMÉRIQUE, AU CANADA ET AU COMMONWEALTH DE PORTO RICO. POUR COUVERTURE DE GARANTIE DANS LES AUTRES PAYS, CONTACTEZ VOTRE IMPORTATEUR OU REVENDEUR BOSCH LOCAL.

GARANTIA LIMITADA PARA HERRAMIENTAS MECANICAS PORTATILES Y PARA TABLERO DE BANCO BOSCH

Robert Bosch Tool Corporation ("el Vendedor") garantiza, únicamente al comprador original, que todas las herramientas mecánicas portátiles y para tablero de banco BOSCH estarán libres de defectos de material o de fabricación durante un periodo de un año a partir de la fecha de compra. LA UNICA OBLIGACION DEL VENDEADOR Y EL RECURSO EXCLUSIVO QUE USTED TIENE bajo esta Garantía Limitada y, hasta donde la ley lo permita, bajo cualquier garantía o condición implícita por ley, consistirá en la reparación o sustitución sin costo de las piezas que presenten defectos de material o de fabricación y que no hayan sido utilizadas incorrectamente, manejadas descuidadamente o reparadas incorrectamente por personas que no sean el Vendedor o una Estación de servicio autorizada. Para efectuar una reclamación bajo esta Garantía Limitada, usted debe devolver el producto, que consiste en la herramienta mecánica portátil o para tablero de banco completa, con el transporte pagado, a cualquier Centro de servicio de fábrica o Estación de servicio autorizada. Para Estaciones de servicio autorizadas de herramientas mecánicas BOSCH, por favor, consulte el directorio telefónico.

ESTA GARANTIA LIMITADA NO SE APLICA A ARTICULOS ACCESORIOS TALES COMO HOJAS PARA SIERRAS CIRCULARES, BROCAS PARA TALADROS, BROCAS PARA FREASADORAS, HOJAS PARA SIERRAS DE VAIVEN, CORREAS PARA LIJAR, RUEDAS DE AMOLAR Y OTROS ARTICULOS RELACIONADOS.

TODAS LAS GARANTIAS IMPLICITAS TENDRAN UNA DURACION LIMITADA A UN AÑO A PARTIR DE LA FECHA DE COMPRA. ALGUNOS ESTADOS DE LOS EE.UU. Y ALGUNAS PROVINCIAS CANADIENSES NO PERMITEN LIMITACIONES EN CUANTO A LA DURACION DE UNA GARANTIA IMPLICITA, POR LO QUE ES POSIBLE QUE LA LIMITACION ANTERIOR NO SEA APLICABLE EN EL CASO DE USTED.

EL VENDEADOR NO SERA RESPONSABLE EN NINGUN CASO DE NINGUN DAÑO INCIDENTAL O EMERGENTE (INCLUYENDO PERO NO LIMITADO A RESPONSABILIDAD POR PERDIDA DE BENEFICIOS) QUE SE PRODUZCA COMO CONSECUENCIA DE LA VENTA O UTILIZACION DE ESTE PRODUCTO. ALGUNOS ESTADOS DE LOS EE.UU. Y ALGUNAS PROVINCIAS CANADIENSES NO PERMITEN LA EXCLUSION O LIMITACION DE LOS DAÑOS INCIDENTALES O EMERGENTES, POR LO QUE ES POSIBLE QUE LA LIMITACION O EXCLUSION ANTERIOR NO SEA APLICABLE EN EL CASO DE USTED.

ESTA GARANTIA LIMITADA LE CONFIERE A USTED DERECHOS LEGALES ESPECIFICOS Y ES POSIBLE QUE USTED TAMBIEN TENGA OTROS DERECHOS QUE VARIAN DE ESTADO A ESTADO EN LOS EE.UU., DE PROVINCIA A PROVINCIA EN CANADA Y DE UN PAIS A OTRO.

ESTA GARANTIA LIMITADA SE APLICA SOLAMENTE A HERRAMIENTAS ELECTRICAS PORTATILES Y PARA TABLERO DE BANCO VENDIDAS EN LOS ESTADOS UNIDOS DE AMERICA, CANADA Y EL ESTADO LIBRE ASOCIADO DE PUERTO RICO. PARA COBERTURA DE GARANTIA EN OTROS PAISES, PONGASE EN CONTACTO CON SU DISTRIBUIDOR O IMPORTADOR LOCAL DE BOSCH.

© Robert Bosch Tool Corporation 1800 W. Central Road Mt. Prospect, IL 60056-2230

Exportado por: Robert Bosch Tool Corporation Mt. Prospect, IL 60056-2230, E.U.A.

Importado en México por: Robert Bosch, S.A. de C.V., Calle Robert Bosch No. 405, Zona Industrial, Toluca, Edo. de México, C.P. 50070, Tel. (722) 2792300



160992A5K0 05/2020

1 6 0 9 9 2 A 5 K 0