

**IMPORTANT:**  
Read Before Using

**IMPORTANT :**  
Lire avant usage

**IMPORTANTE:**  
Leer antes de usar



**Operating/Safety Instructions**

**Consignes de fonctionnement/sécurité**

**Instrucciones de funcionamiento y seguridad**

**GSA18V-125**



**BOSCH**

**Call Toll Free for  
Consumer Information  
& Service Locations**

**Pour obtenir des informations  
et les adresses de nos centres  
de service après-vente,  
appelez ce numéro gratuit**

**Llame gratis para  
obtener información  
para el consumidor y  
ubicaciones de servicio**

**1-877-BOSCH99 (1-877-267-2499) [www.boschtools.com](http://www.boschtools.com)**





**For English Version  
See page 2**

**Version française  
Voir page 13**

**Versión en español  
Ver la página 24**

## Safety Symbols

The definitions below describe the level of severity for each signal word. Please read the manual and pay attention to these symbols.

	This is the safety alert symbol. It is used to alert you to potential personal injury hazards. Obey all safety messages that follow this symbol to avoid possible injury or death.
	DANGER indicates a hazardous situation which, if not avoided, will result in death or serious injury.
	WARNING indicates a hazardous situation which, if not avoided, could result in death or serious injury.
	CAUTION, used with the safety alert symbol, indicates a hazardous situation which, if not avoided, will result in minor or moderate injury.

## General Power Tool Safety Warnings

**WARNING** Read all safety warnings and all instructions. Failure to follow the warnings and instructions may result in electric shock, fire and/or serious injury.

### SAVE ALL WARNINGS AND INSTRUCTIONS FOR FUTURE REFERENCE

The term “power tool” in the warnings refers to your mains-operated (corded) power tool or battery-operated (cordless) power tool.

#### Work area safety

**Keep work area clean and well lit.** Cluttered or dark areas invite accidents.

**Do not operate power tools in explosive atmospheres, such as in the presence of flammable liquids, gases or dust.** Power tools create sparks which may ignite the dust or fumes.

**Keep children and bystanders away while operating a power tool.** Distractions can cause you to lose control.

#### Electrical safety

**Power tool plugs must match the outlet. Never modify the plug in any way. Do not use any adapter plugs with earthed (grounded) power tools.** Unmodified plugs and matching outlets will reduce risk of electric shock.

**Avoid body contact with earthed or grounded surfaces such as pipes, radiators, ranges and refrigerators.** There is an increased risk of electric shock if your body is earthed or grounded.

**Do not expose power tools to rain or wet conditions.** Water entering a power tool will increase the risk of electric shock.

**Do not abuse the cord. Never use the cord for carrying, pulling or unplugging the power**

**tool. Keep cord away from heat, oil, sharp edges or moving parts.** Damaged or entangled cords increase the risk of electric shock.

**When operating a power tool outdoors, use an extension cord suitable for outdoor use.** Use of a cord suitable for outdoor use reduces the risk of electric shock.

**If operating a power tool in a damp location is unavoidable, use a Ground Fault Circuit Interrupter (GFCI) protected supply.** Use of an GFCI reduces the risk of electric shock.

#### Personal safety

**Stay alert, watch what you are doing and use common sense when operating a power tool. Do not use a power tool while you are tired or under the influence of drugs, alcohol or medication.** A moment of inattention while operating power tools may result in serious personal injury.

**Use personal protective equipment. Always wear eye protection.** Protective equipment such as dust mask, non-skid safety shoes, hard hat, or hearing protection used for appropriate conditions will reduce personal injuries.

**Prevent unintentional starting. Ensure the switch is in the off-position before connecting to power source and / or battery pack, picking up or carrying the tool.**

Carrying power tools with your finger on the switch or energizing power tools that have the switch on invites accidents.

**Remove any adjusting key or wrench before turning the power tool on.** A wrench or a key left attached to a rotating part of the power tool may result in personal injury.

**Do not overreach. Keep proper footing and balance at all times.** This enables better control of the power tool in unexpected situations.

**Dress properly. Do not wear loose clothing or jewelry. Keep your hair, clothing and gloves away from moving parts.** Loose clothes, jewelry or long hair can be caught in moving parts.

**If devices are provided for the connection of dust extraction and collection facilities, ensure these are connected and properly used.** Use of dust collection can reduce dust-related hazards.

#### **Power tool use and care**

**Do not force the power tool. Use the correct power tool for your application.** The correct power tool will do the job better and safer at the rate for which it was designed.

**Do not use the power tool if the switch does not turn it on and off.** Any power tool that cannot be controlled with the switch is dangerous and must be repaired.

**Disconnect the plug from the power source and/or the battery pack from the power tool before making any adjustments, changing accessories, or storing power tools.** Such preventive safety measures reduce the risk of starting the power tool accidentally.

**Store idle power tools out of the reach of children and do not allow persons unfamiliar with the power tool or these instructions to operate the power tool.** Power tools are dangerous in the hands of untrained users.

**Maintain power tools. Check for misalignment**

**or binding of moving parts, breakage of parts and any other condition that may affect the power tool's operation. If damaged, have the power tool repaired before use.** Many accidents are caused by poorly maintained power tools.

**Keep cutting tools sharp and clean.** Properly maintained cutting tools with sharp cutting edges are less likely to bind and are easier to control.

**Use the power tool, accessories and tool bits etc. in accordance with these instructions, taking into account the working conditions and the work to be performed.** Use of the power tool for operations different from those intended could result in a hazardous situation.

#### **Battery tool use and care**

**Recharge only with the charger specified by the manufacturer.** A charger that is suitable for one type of battery pack may create a risk of fire when used with another battery pack.

**Use power tools only with specifically designated battery packs.** Use of any other battery packs may create a risk of injury and fire.

**When battery pack is not in use, keep it away from other metal objects like paper clips, coins, keys, nails, screws, or other small metal objects that can make a connection from one terminal to another.** Shorting the battery terminals together may cause burns or a fire.

**Under abusive conditions, liquid may be ejected from the battery, avoid contact. If contact accidentally occurs, flush with water. If liquid contacts eyes, additionally seek medical help.** Liquid ejected from the battery may cause irritation or burns.

#### **Service**

**Have your power tool serviced by a qualified repair person using only identical replacement parts.** This will ensure that the safety of the power tool is maintained.

## **Safety Rules for Cordless Reciprocating Saws**

**Hold power tool by insulated gripping surfaces, when performing an operation where the cutting accessory may contact hidden wiring.** Cutting accessory contacting a "live" wire may make exposed metal parts of the power tool "live" and could give the operator an electric shock.

**Use clamps or another practical way to secure and support the workpiece to a**

**stable platform.** Holding the work by hand or against your body leaves it unstable and may lead to loss of control.

**Do not drill, fasten or break into existing walls or other blind areas where electrical wiring may exist.** If this situation is unavoidable, disconnect all fuses or circuit breakers feeding this worksite.

**Keep hands away from cutting area. Do not reach under the material being cut.** The proximity of the blade to your hand is hidden from your sight.

**Keep hands from between the gear housing and saw blade clamp (plunger).** The reciprocating blade clamp (blade plunger) can pinch your fingers.

**Do not use dull or damaged blades.** Bent blades can break easily or cause kickback.

**Before starting to cut, turn tool "ON" and allow the blade to come to full speed.** Tool can chatter or vibrate if blade speed is too slow at beginning of cut and possibly kickback.

**Always wear safety goggles or eye protection when using this tool. Use a dust mask or respirator for applications which generate dust.**

**Secure material before cutting. Never hold it in your hand or across legs.** Small or thin material may flex or vibrate with the blade, causing loss of control.

**Make certain all adjusting screws (knobs) and the blade clamp are tight before making a cut.** Loose adjusting screws and clamps can cause the tool or blade to slip and loss of control may result.

**When removing the blade from the tool avoid contact with skin and use proper protective gloves when grasping the blade or accessory.** Accessories may be hot after prolonged use.

**When using the utility hook always be aware that the blade is exposed.** Always hang the tool in area where you or bystanders cannot accidentally make contact with the blade.

**Ensure the switch is in the OFF position before inserting battery pack.** Inserting the battery pack into the power tool that has the switch ON invites accident.

**When operating the saw continuously and for prolonged periods of time, the gearbox may become hot to touch.** To reduce the risk of injury, wear protective gloves during saw operation.

## Additional Safety Warnings

GFCI and personal protection devices like electrician's rubber gloves and footwear will further enhance your personal safety.

**Do not use AC only rated tools with a DC power supply.** While the tool may appear to work, the electrical components of the AC rated tool are likely to fail and create a hazard to the operator.

**Keep handles dry, clean and free from oil and grease.** Slippery hands cannot safely control the power tool.

**Develop a periodic maintenance schedule for your tool. When cleaning a tool be careful not to disassemble any portion of the tool since internal wires may be misplaced or pinched or safety guard return springs may be improperly mounted.** Certain cleaning agents such as gasoline, carbon tetrachloride, ammonia, etc. may damage plastic parts.








**⚠ WARNING** Some dust created by power sanding, sawing, grinding, drilling, and other construction activities contains chemicals known to cause cancer, birth defects or other reproductive harm. Some examples of these chemicals are:

- Lead from lead-based paints,
- Crystalline silica from bricks and cement and other masonry products, and
- Arsenic and chromium from chemically-treated lumber.

Your risk from these exposures varies, depending on how often you do this type of work. To reduce your exposure to these chemicals: work in a well ventilated area, and work with approved safety equipment, such as those dust masks that are specially designed to filter out microscopic particles.

## Symbols

**IMPORTANT:** Some of the following symbols may be used on your tool. Please study them and learn their meaning. Proper interpretation of these symbols will allow you to operate the tool better and safer.

Symbol	Designation / Explanation
V	Volts (voltage)
A	Amperes (current)
Ah	Amp-hour (measurement of battery capacity)
Hz	Hertz (frequency, cycles per second)
W	Watt (power)
kg	Kilograms (weight)
min	Minutes (time)
s	Seconds (time)
$\varnothing$	Diameter (size of drill bits, grinding wheels, etc.)
$n_0$	No load speed (rotational speed at no load)
n	Rated speed (maximum attainable speed)
.../min	Revolutions or reciprocation per minute (revolutions, strokes, surface speed, orbits etc. per minute)
0	Off position (zero speed, zero torque...)
1, 2, 3, ... I, II, III,	Selector settings (speed, torque or position settings. Higher number means greater speed)
	Infinitely variable selector with off (speed is increasing from 0 setting)
	Arrow (action in the direction of arrow)
	Alternating current (type or a characteristic of current)
	Direct current (type or a characteristic of current)
	Alternating or direct current (type or a characteristic of current)
	Class II construction (designates double insulated construction tools)
	Earthing terminal (grounding terminal)

## Symbols (continued)

**IMPORTANT:** Some of the following symbols may be used on your tool. Please study them and learn their meaning. Proper interpretation of these symbols will allow you to operate the tool better and safer.

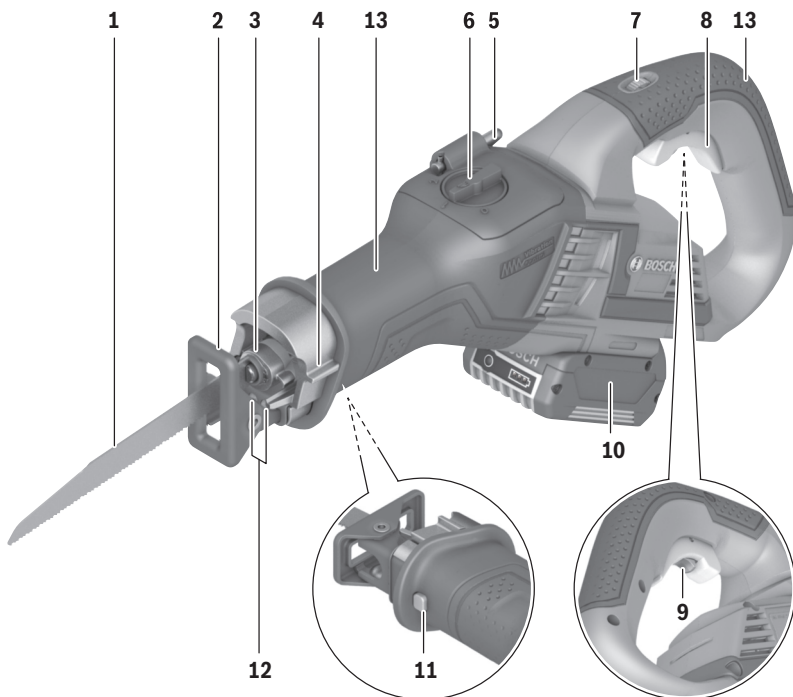
Symbol	Designation / Explanation
	Designates Li-ion battery recycling program
	Designates Ni-Cad battery recycling program
	Alerts user to read manual
	Alerts user to wear eye protection
	This symbol designates that this tool is listed by Underwriters Laboratories.
	This symbol designates that this component is recognized by Underwriters Laboratories.
	This symbol designates that this tool is listed by Underwriters Laboratories, to United States and Canadian Standards.
	This symbol designates that this tool is listed by the Canadian Standards Association.
	This symbol designates that this tool is listed by the Canadian Standards Association, to United States and Canadian Standards.
	This symbol designates that this tool is listed by the Intertek Testing Services, to United States and Canadian Standards.
	This symbol designates that this tool complies to NOM Mexican Standards.

## Functional Description and Specifications

**⚠ WARNING** Disconnect battery pack from tool before making any assembly, adjustments or changing accessories. Such preventive safety measures reduce the risk of starting the tool accidentally.

### Cordless Reciprocating Saw

FIG. 1



- 1 Saw blade
- 2 Footplate
- 3 Blade holder
- 4 Blade change lever
- 5 Saw hook
- 6 Orbital action switch
- 7 Maximum speed dial

- 8 Variable speed trigger switch
- 9 Lock-off button
- 10 Battery pack
- 11 Footplate release button
- 12 LED Work light
- 13 Insulated gripping surfaces

**Model number**.....GSA18V-125  
**Voltage rating**.....18V  $\text{---}$   
**No load speed**..... $n_0$  0-2500/min (SPM)

#### Maximum Capacities

Stroke length.....1.25" (32mm)

#### Battery Packs/Chargers

Please refer to the Charger Manual included with your tool.

**NOTE:** For tool specifications refer to the nameplate on your tool.

## Assembly

**⚠ WARNING** Disconnect battery pack from tool before making any assembly, adjustments or changing accessories. Such preventive safety measures reduce the risk of starting the tool accidentally.

### Preparing the Saw

#### BLADE SELECTION

No one blade can be efficient on all cutting jobs. Different materials require specially designed blades. Since your reciprocating saw can cut so many materials, many types of BOSCH blades are available. Be sure to use the proper blade to ensure proper cutting performance.

#### INSTALLING AND REMOVING A BLADE

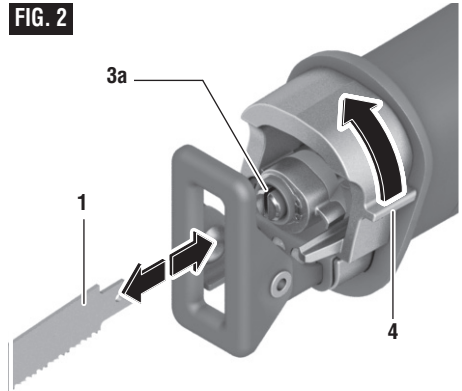
Turn the blade change lever **4** approximately 60° in the direction shown and hold it in place. Slide the saw blade **1** into the saw blade holder slot **3a**. Let go of the lever **4** (Fig. 2). Make sure the blade is securely locked in place.

To remove the blade, turn the blade change lever **4** approximately 60° in the direction shown while pulling the blade **1** out of the

blade slot. **NOTE:** be careful, blade may be hot (Fig. 2).

**⚠ WARNING** Make sure that the front end of the blade extends through the footplate for the entire stroke length. Do not use specialty blades that are very short or those with a significant cant. Blade must not contact footplate. A blade which is too short or tilted could jam inside the foot and snap.

**FIG. 2**



### INSERTING AND RELEASING BATTERY PACK

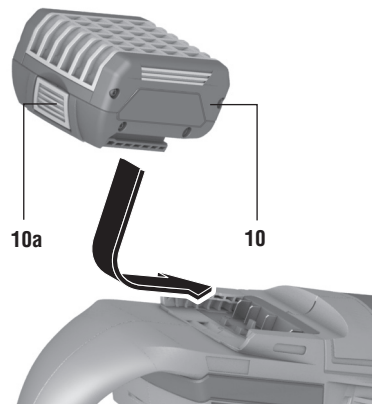
Slide charged battery pack **10** into the housing until the battery pack locks into position (Fig. 3).

Your tool is equipped with a secondary locking latch to prevent the battery pack from completely falling out of the tool housing, should it become loose due to vibration.

To remove the battery pack **10**, press the battery pack release button **10a** and slide the battery pack forward (Fig. 3).

Press the battery pack release button **10a** again and slide the battery pack completely out of tool housing (Fig. 3).

**FIG. 3**





## Operating Instructions

### PROTECTION AGAINST DEEP DISCHARGING

The lithium ion battery is protected against deep discharging by the "Electronic Cell Protection (ECP)". When the battery is empty, the tool is switched off by means of a protective circuit.

**CAUTION** Do not continue to press the trigger switch after the tool has been automatically switched off. The battery can be damaged.

### LOCK-OFF BUTTON

Your saw is equipped with a lock-off button **9** to prevent accidental starting of the tool. Press the lock-off button **9** forward to make it possible to press the variable speed trigger switch **8** (Fig. 1).

### MAXIMUM SPEED DIAL

Your saw is equipped with a maximum speed dial **7**. The blade stroke rate may be adjusted during cutting operation by presetting the dial **7** on or between any one of the six numbers (Fig. 1).

Setting	Stroke Rate (/min)
1	600
2	1000
3	1400
4	1800
5	2200
6	2500

### VARIABLE SPEED CONTROLLED TRIGGER SWITCH

Your tool is equipped with a variable speed controlled trigger switch **8**. To turn the tool on, push the lock-off button **9** and pull the trigger switch **8** (Fig. 1). The tool will turn itself off as soon as you release the trigger.

The blade stroke rate can be adjusted from the minimum to maximum stroke rate (as set on the maximum speed dial) by the pressure you apply to the trigger. Apply more pressure to increase the speed and release pressure to decrease speed.

The required stroke rate is dependent on the material and the working conditions and can be determined by a practical trial.

Reducing the stroke rate is recommended when the saw blade engages in the material as well as when sawing plastic and aluminum.

### CONSTANT RESPONSE CIRCUITRY

The internal electronic feedback system provides a "soft start", which will reduce the stresses that occur from a high torque start.

The system also maintains the selected speed under load for maximum efficiency.

### VIBRATION CONTROL



This tool features a very effective counterbalancing system to minimize vibration for comfort and control.

### BUILT-IN LED WORK LIGHT

Your tool is equipped with an LED work light **12** that turns on automatically when the trigger switch is activated. When the tool is turned off, the light turns off (Fig. 1).

### ORBITAL ACTION SETTINGS

The adjustable orbital action allows for optimal adaptation of cutting speed, cutting capacity and cutting pattern to the material being cut. With orbital action switch **6** you can set the level of orbital action (Fig. 1).

**Orbital action switched off (level 0):** For cutting thin or hard material such as sheet metal or steel. For achieving clean cutting edges.

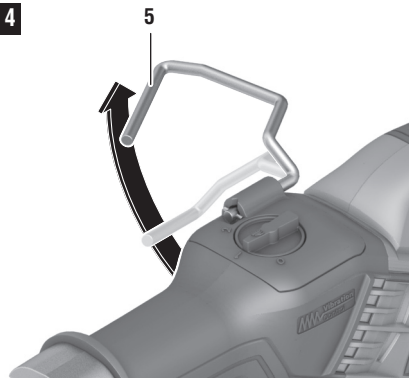
**Orbital action level 1:** For cutting non-ferrous metals, hardwood, plastics or materials of medium density.

**Orbital action level 2:** For cutting soft materials, e. g., soft building materials, insulation material, softwood.

### SAW HOOK

Your tool is equipped with a convenient saw hook for hanging your tool. To use, simply lift up hook **5** until it snaps into the open position (Fig. 4).

**FIG. 4**



**WARNING** When using the saw hook always be aware

that the accessory is exposed. Always hang the tool in an area where yourself and bystanders can not accidentally make contact with the accessory.

**To reduce the risk of injury, use care in selecting the location for hanging the tool.**

- Select a suitably sized and shaped object that will provide adequate hanging stability. An unstable hanging surface could result in the tool unexpectedly falling.
- Insure that the tool is hung out of the way of walkways and working areas with bystanders. The tool could be bumped or a bystander could become entangled causing the tool to unexpectedly fall.

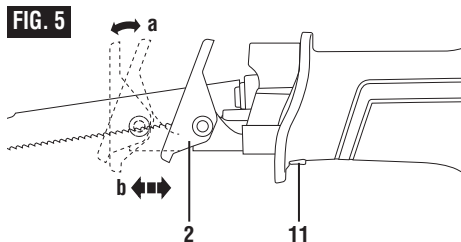
**⚠ WARNING** To reduce the risk of injury, Do not use the hanging hook if it appears damaged or deformed. This could result in unstable hanging and the tool unexpectedly falling.

When not in use, always close hook until it snaps into the closed position.

#### FOOTPLATE ADJUSTMENT

The footplate **2** tilts in order to keep as much of its surface in contact with the work surface (Fig. 5 [a]).

The footplate **2** can also be locked into one of three projection positions to optimize blade life

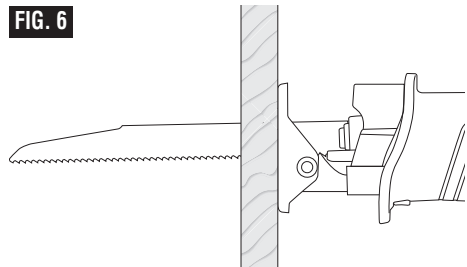


and/or to reduce blade protrusion beyond the end of the footplate, such as when cutting into large diameter pipe or into walls. To adjust the footplate position, simply push the footplate release button **11** and move the footplate **2** into the desired position. The locking mechanism is spring-loaded to lock into one of the 3 positions on the footplate assembly. If the footplate is pulled out so far that a notch shows at the other end of the shaft, the footplate assembly is extended too far out, and must be retracted to the one of the 3 positions (Fig. 5 [b]).

**⚠ WARNING** Do not operate the saw without footplate installed and secured.

**⚠ WARNING** Do not push the footplate release button while sawing. It will cause the footplate to release from the desired settings and you may lose control and be injured.

**⚠ WARNING** To reduce the risk of injury, be sure the blade extends beyond the footplate and all the way through the workpiece throughout the stroke. Blades may shatter if the blade hits the footplate or hits the work at an angle that is nearly head-on (Fig. 6).



## Using the Saw

1. Securely clamp the work.
2. Mark the line of cut and grasp the tool with one hand on the handle and the other placed on the insulated rubber boot over the front housing.

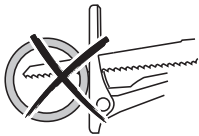
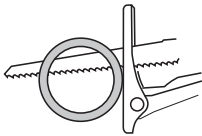
**⚠ WARNING** Always hold the saw by the insulated boot on the front housing. If you saw into a blind area where live wiring exists, you may be shocked or electrocuted.

3. Keep the saw footplate firmly against the work to minimize counter-force (jumping) and vibration.
4. Squeeze the trigger to start the tool. Let the saw reach full speed before starting the cut. Guide the saw so that the blade will move along the marked line.

#### SAWING TIPS

Following a few simple tips will reduce the wear on the workpiece, the tool and the operator.

1. Blades cut on the draw or back stroke. On fine work, such as paneling, fiberglass, etc., place the good side of workpiece facing down.
2. Use the correct saw blade for the material being cut and keep extra blades on hand to use when others become dull. Replace cracked or bent blades immediately.
3. Select the appropriate cutting speed.
4. To reduce the risk of injury, be sure the blade always extends beyond the footplate and work throughout the stroke. Blades may shatter if the front on the blade hits the work and/or the footplate.

**WRONG****RIGHT**

5. When cutting metal:
  - Apply a lubricant for easier, smoother, faster cutting and longer blade life.
  - For non-ferrous metals, aluminum, bronze or brass, use a stick wax on the blade.
  - For ferrous metals, iron and steel, use machine or cutting oil along the surface to be cut.
6. When cutting thin metal, "sandwich" the material between two pieces of scrap wood. Clamp or put in a bench vise. One piece of lumber on top of the metal can be used with adequate clamping. Place your cut lines or design on the wood.
7. Don't force the cutting. Let the saw and blade do the work.

#### **POCKET/PLUNGE CUTS**

The reciprocating saw can be used to make plunge cuts into softer material, (for example, wood or light building materials for walls), without a starting hole (Fig. 7).

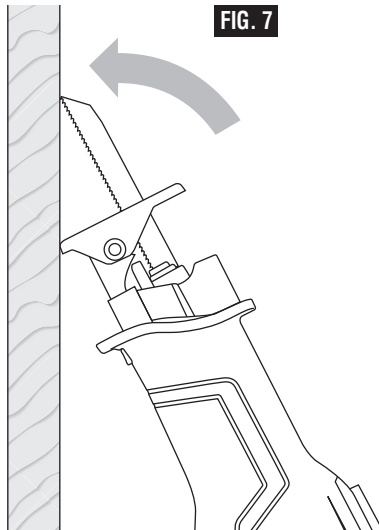
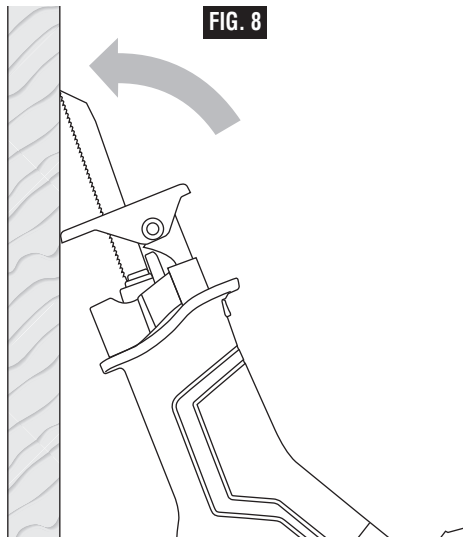
1. Mark the line to be cut clearly on the work.
2. Set the tool with one edge of the footplate firmly against the material.
3. Place the tip of the blade (not running) on the line to be cut.
4. Tilt the saw so that the blade clears the work.
5. Squeeze the trigger switch and carefully engage the moving saw blade into the material.
6. After the blade penetrates through the work, continue sawing along the marked outline.

#### **Notes:**

To make plunge cutting easier, use a heavy gauge blade, install the blade with the teeth facing upward, and hold the saw upside down as shown (Fig. 8).

Do not plunge cut in metal surfaces.

In thick materials and in harder materials, such as metal, plunge cutting should not be attempted. Such materials can be cut with the reciprocating saw only by starting the cut from the edge of the material or from a hole drilled all the way through the material that is large enough to fit the saw blade.

**FIG. 7****FIG. 8**

## Maintenance

### Service

**⚠ WARNING** **NO USER SERVICEABLE PARTS INSIDE.** Preventive maintenance performed by unauthorized personnel may result in misplacing of internal wires and components which could cause serious hazard. We recommend that all tool service be performed by a Bosch Factory Service Center or Authorized Bosch Service Station. **SERVICEMEN:** Disconnect tool and/or charger from power source before servicing.

### BATTERIES

**Be alert for battery packs that are nearing their end of life.** If you notice decreased tool performance or significantly shorter running time between charges then it is time to replace the battery pack. Failure to do so can cause the tool to operate improperly or damage the charger.

### TOOL LUBRICATION

Your Bosch tool has been properly lubricated and is ready for use.

### D.C. MOTORS

The motor in your tool has been engineered for many hours of dependable service. To maintain peak efficiency of the motor, we recommend it be examined every six months. Only a genuine Bosch replacement motor specially designed for your tool should be used.

### Cleaning

**⚠ WARNING** **To avoid accidents, always disconnect the tool and/or charger from the power supply before cleaning.** The tool may be cleaned most effectively with compressed dry air. **Always wear safety goggles when cleaning tools with compressed air.**

Ventilation openings and switch levers must be kept clean and free of foreign matter. Do not attempt to clean by inserting pointed objects through opening.

**⚠ CAUTION** **Certain cleaning agents and solvents damage plastic parts.** Some of these are: gasoline, carbon tetrachloride, chlorinated cleaning solvents, ammonia and household detergents that contain ammonia.

## Accessories

**⚠ WARNING** The use of any accessories not specified in this manual may create a hazard.

Standard equipment	Optional accessories
- Reciprocating saw blades	- Carrying bag; - Carrying case

## Symboles relatifs à la sécurité

Les définitions ci-dessous décrivent le niveau de gravité pour chaque terme signalant un danger. Veuillez lire le mode d'emploi et lire la signification de ces symboles.

	C'est le symbole d'alerte relatif à la sécurité. Il est utilisé pour vous avertir de l'existence possible d'un danger de lésion corporelle. Obéissez à tous les messages relatifs à la sécurité qui suivent ce symbole pour éviter tout risque de blessure ou même de mort.
	DANGER indique une situation dangereuse qui, si elle n'est pas évitée, causera la mort d'une personne ou une blessure grave.
	AVERTISSEMENT indique une situation dangereuse qui, si elle n'est pas évitée, pourrait causer la mort d'une personne ou une blessure grave.
	MISE EN GARDE, conjointement avec le symbole d'alerte en liaison avec la sécurité, indique une situation dangereuse qui, si elle n'est pas évitée, causera une blessure légère ou modérée.

## Avertissements généraux concernant la sécurité des outils électroportatifs

 **AVERTISSEMENT** Veuillez lire tous les avertissements et toutes les consignes de sécurité. Si l'on n'observe pas ces avertissements et ces consignes de sécurité, il existe un risque de choc électrique, d'incendie et/ou de blessures corporelles graves.

### CONSERVEZ TOUS LES AVERTISSEMENTS ET TOUTES LES CONSIGNES DE SÉCURITÉ POUR RÉFÉRENCE FUTURE.

Dans les avertissements, le terme « outil électroportatif » se rapporte à votre outil branché sur le secteur (avec fil) ou à votre outil alimenté par piles (sans fil).

#### Sécurité du lieu de travail

**Maintenez le lieu de travail propre et bien éclairé.** Les risques d'accident sont plus élevés quand on travaille dans un endroit encombré ou sombre.

**N'utilisez pas d'outils électroportatifs dans des atmosphères explosives, comme par exemple en présence de gaz, de poussières ou de liquides inflammables.** Les outils électroportatifs produisent des étincelles qui risquent d'enflammer les poussières ou les vapeurs.

**Éloignez les enfants et les visiteurs quand vous vous servez d'un outil électroportatif.** Vous risquez une perte de contrôle si on vous distrait.

#### Sécurité électrique

**Les fiches des outils électroportatifs doivent correspondre à la prise. Il ne faut absolument jamais modifier la fiche. N'utilisez pas d'adaptateur de prise avec des outils électroportatifs munis d'une fiche de terre.** Le risque de choc électrique est moindre si on utilise une fiche non modifiée sur une prise qui lui correspond.

**Évitez tout contact du corps avec des surfaces reliées à la terre tels que tuyaux, radiateurs, gazinières ou réfrigérateurs.** Le risque de choc électrique augmente si votre corps est relié à la terre.

**N'exposez pas les outils électroportatifs à la pluie ou à l'humidité.** Si de l'eau pénètre dans un outil

électroportatif, le risque de choc électrique augmente.

**Ne maltraitez pas le cordon. Ne vous en servez jamais pour transporter l'outil électroportatif, pour le tirer ou pour le débrancher. Éloignez le cordon de la chaleur, des huiles, des arêtes coupantes ou des pièces mobiles.** Les cordons abîmés ou emmêlés augmentent les risques de choc électrique.

**Si vous utilisez un outil électroportatif à l'extérieur, employez une rallonge conçue pour l'extérieur.** Ces rallonges sont faites pour l'extérieur et réduisent le risque de choc électrique.

**S'il est absolument nécessaire d'utiliser l'outil électroportatif dans un endroit humide, utilisez une alimentation protégée par un disjoncteur de fuite de terre (GFCI).** L'utilisation d'un disjoncteur GFCI réduit les risques de choc électrique.

#### Sécurité personnelle

**Restez concentré, faites attention à ce que vous faites, et servez-vous de votre bon sens lorsque vous utilisez un outil électroportatif. N'employez pas d'outils électroportatifs quand vous êtes fatigué ou sous l'emprise de drogues, d'alcool ou de médicaments.** Quand on utilise des outils électroportatifs, il suffit d'un moment d'inattention pour causer des blessures corporelles graves.

**Utilisez des équipements de sécurité personnelle. Portez toujours une protection oculaire.** Le port

d'équipements de sécurité tels que des masques antipoussières, des chaussures de sécurité antidérapantes, des casques de chantier et des protecteurs d'oreilles dans des conditions appropriées réduira le risque de blessure corporelle.

**Évitez les démarrages intempestifs. Assurez-vous que l'interrupteur est dans la position arrêt (Off) avant de brancher l'outil dans une prise de courant et/ou un bloc-piles, de le ramasser ou de le transporter.** Le transport d'un outil électroportatif avec le doigt sur la gâchette ou le branchement de cet outil quand l'interrupteur est en position de marche (ON) est une invite aux accidents.

**Enlevez toutes les clés de réglage avant de mettre l'outil électroportatif en marche.** Si on laisse une clé sur une pièce tournante de l'outil électroportatif, il y a risque de blessure corporelle.

**Ne vous penchez pas. Conservez toujours une bonne assise et un bon équilibre.** Ceci vous permettra de mieux maîtriser l'outil électroportatif dans des situations inattendues.

**Habilitez-vous de manière appropriée. Ne portez pas de vêtements amples ou de bijoux. Attachez les cheveux longs. N'approchez pas les cheveux, les vêtements ou les gants des pièces en mouvement.** Les vêtements amples, les bijoux ou les cheveux longs risquent d'être happés par les pièces en mouvement.

**Si l'outil est muni de dispositifs permettant le raccordement d'un système d'aspiration et de collecte des poussières, assurez-vous que ces dispositifs sont raccordés et utilisés correctement.** L'utilisation d'un dépolviseur peut réduire les dangers associés à l'accumulation de poussière.

### Utilisation et entretien des outils électroportatifs

**Ne forcez pas sur l'outil électroportatif. Utilisez l'outil électroportatif qui convient à la tâche à effectuer.** L'outil qui convient à la tâche fait un meilleur travail et est plus sûr à la vitesse pour lequel il a été conçu.

**Ne vous servez pas de l'outil électroportatif si son interrupteur ne parvient pas à le mettre en marche ou à l'arrêter.** Tout outil électroportatif qui ne peut pas être commandé par son interrupteur est dangereux et doit être réparé.

**Débranchez la fiche de la prise ou enlevez le bloc-pile de l'outil électroportatif avant tout réglage, changement d'accessoires ou avant de ranger l'outil électroportatif.** De telles mesures de sécurité préventive réduisent le risque de démarrage intempestif de l'outil électroportatif.

**Rangez les outils électroportatifs dont vous ne vous servez pas hors de portée des enfants et ne permettez**

**pas à des personnes qui ne connaissent pas l'outil électroportatif ou qui ignorent ces consignes de s'en servir.** Les outils électroportatifs sont dangereux dans les mains d'utilisateurs inexpérimentés.

**Entretenez les outils électroportatifs. Vérifiez que les pièces mobiles sont alignées correctement et ne coïncent pas. Vérifiez qu'il n'y a pas de pièces cassées ou d'autre circonstance qui risquent d'affecter le fonctionnement de l'outil électroportatif. Si l'outil est abîmé, faites-le réparer avant de l'utiliser.** De nombreux accidents sont causés par des outils électroportatifs mal entretenus.

**Maintenez les outils coupants affûtés et propres.** Les outils coupants entretenus correctement et dotés de bords tranchants affûtés sont moins susceptibles de coincer et sont plus faciles à maîtriser.

**Utilisez l'outil électroportatif, les accessoires et les embouts d'outil, etc. conformément à ces instructions, en tenant compte des conditions de travail et des travaux à réaliser.** L'emploi d'outils électroportatifs pour des tâches différentes de celles pour lesquelles ils ont été prévus peut résulter en une situation dangereuse.

### Utilisation et entretien des outils à piles

**Rechargez les piles uniquement avec le chargeur spécifié par le fabricant.** Un chargeur qui convient à un type de bloc-piles peut entraîner un risque d'incendie quand il est utilisé avec un autre bloc-piles.

**Utilisez des outils électroportatifs uniquement avec les bloc-piles spécifiquement désignés pour eux.** L'utilisation de tout autre bloc-piles peut créer un risque de blessures et d'incendie.

**Lorsque le bloc-piles n'est pas utilisé, gardez-le à distances d'autres objets métalliques tels que des trombones, des pièces de monnaie, des clés, des clous, des vis ou de tout autre objet métallique pouvant faire une connexion entre une borne et une autre.** Court-circuiter les bornes des piles peut causer des brûlures ou un incendie.

**Dans des conditions abusives, du liquide peut être éjecté de la pile ; dans un tel cas, évitez tout contact avec ce liquide. Si un contact se produit accidentellement, rincez avec de l'eau. Si le liquide entre en contact avec les yeux, consultez un médecin.**

Du liquide éjecté de la pile peut causer des irritations ou des brûlures.

### Entretien

**Faites réparer votre outil électroportatif par un agent de service qualifié n'utilisant que des pièces de rechange identiques.** Ceci assure que la sécurité de l'outil électroportatif est préservée.

## Consignes de sécurité pour les scies égoïnes sans fil

**Tenez l'outil électrique par ses surfaces de préhension isolées lorsque vous effectuez une opération dans le cadre de laquelle l'accessoire de coupe risque d'entrer en contact avec un fil caché.**

L'entrée en contact d'un accessoire de coupe avec un fil sous tension pourrait rendre conductrices des parties en métal exposées de l'outil électrique et causer un choc électrique à l'opérateur.

**Utilisez des brides ou d'autres moyens pratiques de brider ou de supporter la pièce sur une plate-forme stable.** Tenir la pièce à la main ou contre le corps est instable et risque de résulter en une perte de contrôle.

**Ne percez, fixez et ne rentrez pas dans des murs existants ou autres endroits aveugles pouvant abriter des fils électriques.** Si cette situation est inévitable, débranchez tous les fusibles ou les disjoncteurs alimentant ce site.

**Éloignez les mains de la zone de coupe. Ne passez pas le bras sous la pièce que vous êtes en train de scier.** Vous ne pourriez pas voir quand votre main s'approche trop près de la lame.

**Éloignez les mains de la zone située entre le boîtier d'engrenages et le porte-lame (poussoir).** Le porte-lame (poussoir de lame) oscille d'avant en arrière et risque de vous pincer les doigts.

**N'utilisez pas de lames émoussées ou abîmées.** Les lames pliées cassent facilement et risquent de provoquer des soubresauts.

**Avant de commencer à scier, mettez la machine en marche et attendez qu'elle atteigne son plein régime.** La machine risque de brouter, de vibrer ou même de reculer violemment si la vitesse de la lame est trop faible au début du sciage.

**Portez toujours des lunettes de sécurité ou une protection oculaire quand vous utilisez cette machine.** Utilisez un masque à poussière ou un masque à gaz pour les applications qui produisent de la poussière.

**Bridez la pièce avant de la scier. Ne la tenez jamais**

**à la main ou sur vos genoux.** Les pièces petites ou minces risquent de fléchir ou de vibrer, résultant en une perte de contrôle de la machine.

**Assurez-vous que toutes les vis de réglage (boutons) et le porte-lame sont serrés avant de commencer à scier.** Des vis de réglage ou un porte-lame mal serrés peuvent provoquer un patinage de la machine ou de la lame qui pourrait résulter en une perte de contrôle.

**Quand vous enlevez la lame de la machine, évitez de la mettre en contact avec la peau et utilisez des gants de protection appropriés pour saisir la lame ou tout accessoire.** Après un usage prolongé, il se peut que les accessoires soient chauds.

**Lorsque vous utilisez le crochet pour suspendre la scie, n'oubliez jamais que la lame est exposée.** Suspendez toujours l'outil à un endroit où vous ne risquez pas, et où de quelconques autres personnes présentes ne risquent pas, d'entrer accidentellement en contact avec la lame.

**Assurez-vous que l'interrupteur est dans la position d'arrêt (OFF) avant d'insérer le bloc-piles.** L'insertion du bloc-piles dans un outil électrique dont l'interrupteur est dans le mode sous tension invite des accidents.

**Lorsque vous vous servez de la scie continuellement pendant une période de temps prolongée, la boîte d'engrenages peut devenir trop chaude pour qu'il soit possible de la toucher en toute sécurité.** Pour réduire le risque de blessure, portez des gants de protection pendant le fonctionnement de la scie.

## Avertissements supplémentaires concernant la sécurité

L'emploi d'un GFCI et de dispositifs de protection personnelle tels que gants et chaussures d'électricien en caoutchouc améliorent votre sécurité personnelle.

**N'utilisez pas un outil conçu uniquement pour le C.A. sur une alimentation en C.C.** Même si l'outil semble fonctionner, les composants électriques d'un outil prévu pour le C.A. tomberont probablement en panne et risquent de créer un danger pour l'utilisateur.

**Maintenez les poignées sèches et exemptes d'huile et de graisse.** On ne peut pas maîtriser un outil électroportatif en toute sécurité quand on a les mains glissantes.

**Créez un agenda d'entretien périodique pour votre outil. Quand vous nettoyez un outil, faites attention de n'en démonter aucune pièce car il est toujours possible de mal remonter ou de pincer les fils internes ou de remonter incorrectement les ressorts de rappel des capots de protection.** Certains agents de nettoyage tels que l'essence, le tétrachlorure de carbone, l'ammoniaque, etc. risquent d'abîmer les plastiques.








**⚠ AVERTISSEMENT** Les travaux à la machine tel que ponçage, sciage, meulage, perçage et autres travaux du bâtiment peuvent créer des poussières contenant des produits chimiques qui sont des causes reconnues de cancer, de malformation congénitale ou d'autres problèmes reproductifs. Ces produits chimiques sont, par exemple :

- Le plomb provenant des peintures à base de plomb,
- Les cristaux de silices provenant des briques et du ciment et d'autres produits de maçonnerie, et
- L'arsenic et le chrome provenant des bois traités chimiquement.

Le niveau de risque dû à cette exposition varie avec la fréquence de ces types de travaux. Pour réduire l'exposition à ces produits chimiques, il faut travailler dans un lieu bien ventilé et porter un équipement de sécurité approprié tel que certains masques à poussière conçus spécialement pour filtrer les particules microscopiques.

## Symboles








**IMPORTANT** : Certains des symboles suivants peuvent être utilisés sur votre outil. Veuillez les étudier et apprendre leur signification. Une interprétation appropriée de ces symboles vous permettra d'utiliser l'outil de façon plus efficace et plus sûre.

Symbole	Désignation / Explication
V	Volts (voltage)
A	Ampères (courant)
Ah	A/h (mesure de capacité des piles)
Hz	Hertz (fréquence, cycles par seconde)
W	Watt (puissance)
kg	Kilogrammes (poids)
min	Minutes (temps)
s	Seconds (temps)
$\varnothing$	Diamètre (taille des mèches de perceuse, meules, etc.)
$n_0$	Vitesse à vide (vitesse de rotation, à vide)
n	Vitesse nominale (vitesse maximum pouvant être atteinte)
.../min	Tours ou mouvement alternatif par minute (tours, coups, vitesse en surface, orbites, etc., par minute)
0	Position d'arrêt (vitesse zéro, couple zéro ...)
1, 2, 3, ... I, II, III,	Réglages du sélecteur (Réglages de vitesse, de couple ou de position. Un nombre plus élevé signifie une vitesse plus grande)
	Sélecteur variable à l'infini avec arrêt (La vitesse augmente depuis le réglage 0)
	Flèche (action dans la direction de la flèche)
	Courant alternatif (type ou caractéristique du courant)
	Courant continu (type ou caractéristique du courant)
	Courant alternatif ou continu (type ou caractéristique du courant)
	Construction classe II (désigne des outils construits avec double isolation)
	Borne de terre (borne de mise à la terre)



## Symboles (suite)

**IMPORTANT** : Certains des symboles suivants peuvent être utilisés sur votre outil. Veuillez les étudier et apprendre leur signification. Une interprétation appropriée de ces symboles vous permettra d'utiliser l'outil de façon plus efficace et plus sûre.

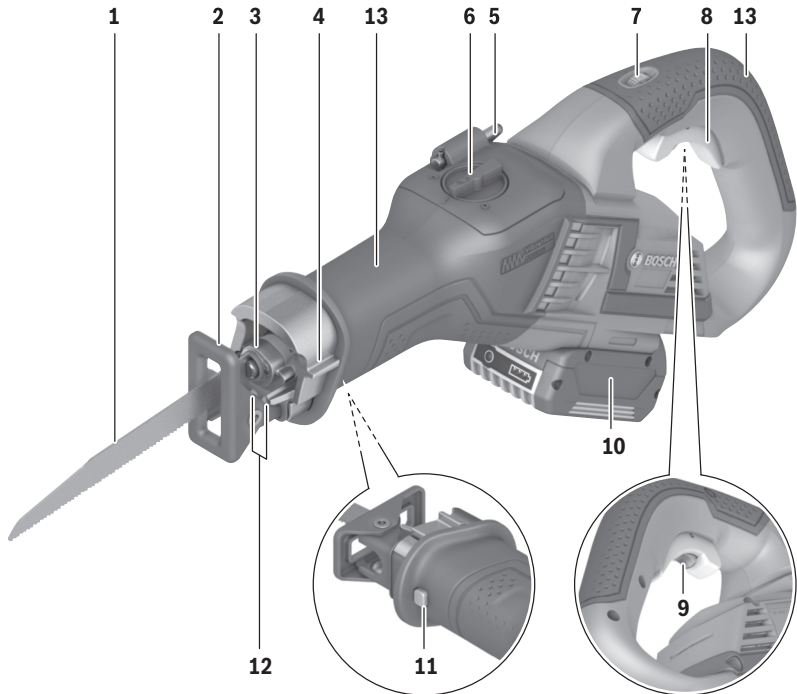
Symbole	Désignation / Explication
	Désigne le programme de recyclage des piles Li-ion.
	Désigne le programme de recyclage des piles Ni-Cad.
	Alerte l'utilisateur pour lire le mode d'emploi
	Alerte l'utilisateur pour porter des lunettes de sécurité
	Ce symbole signifie que cet outil est approuvé par Underwriters Laboratories.
	Ce symbole indique que ce composant est reconnu par Underwriters Laboratories.
	Ce symbole signifie que cet outil est approuvé par Underwriters Laboratories selon les normes des États-Unis et du Canada.
	Ce symbole signifie que cet outil est approuvé par l'Association canadienne de normalisation.
	Ce symbole signifie que cet outil est approuvé par l'Association canadienne de normalisation selon les normes des États-Unis et du Canada.
	Ce symbole signifie que cet outil est approuvé par Intertek Testing Services selon les normes des États-Unis et du Canada
	Ce symbole signifie que cet outil se conforme aux normes mexicaines NOM.

## Description fonctionnelle et spécifications

**AVERTISSEMENT** Débranchez le bloc-piles de l'outil avant d'effectuer tout assemblage ou réglage, ou de changer des accessoires. Ces mesures de sécurité préventives réduisent le risque d'une mise en marche accidentelle de l'outil.

### Scie égoïne sans fil

FIG. 1



- 1 lame de scie
- 2 plaque d'assise
- 3 porte-lame
- 4 levier de changement de lame
- 5 crochet pour la scie
- 6 commutateur à action orbitale
- 7 cadran de vitesse maximum

- 8 commutateur à gâchette à vitesse variable
- 9 bouton de déverrouillage
- 10 bloc-piles
- 11 bouton de relâchement de la plaque d'assise
- 12 éclairage de travail à DEL
- 13 surfaces de préhension isolées

Numéro de modèle .....GSA18V-125  
 Tension nominale .....18V ---  
 Régime à vide ..... $n_0$  0-2500/mn (SPM)  
**Capacités maximales**  
 Longueur de la course.....1,25 po (32mm)

#### Bloc-piles/chargeurs

Veuillez vous reporter au mode d'emploi de votre pile / chargeur qui accompagne votre outil.

**REMARQUE :** Pour spécifications de l'outil, reportez-vous à la plaque signalétique de votre outil.

## Assemblage

**⚠ AVERTISSEMENT** Débranchez le bloc-piles de l'outil avant d'effectuer tout assemblage ou réglage, ou de changer des accessoires. Ces mesures de sécurité préventives réduisent le risque d'une mise en marche accidentelle de l'outil.

### Apprêt de la scie

#### CHOIX DE LAME

Aucune lame ne peut suffire adéquatement à toutes les tâches. Certains matériaux requièrent des lames spéciales. Étant donné que votre scie va-et-vient peut tailler tant de matériaux, BOSCH met plusieurs types de lames à votre disposition. Pour de meilleurs résultats, prenez soin de choisir la lame qui convient.

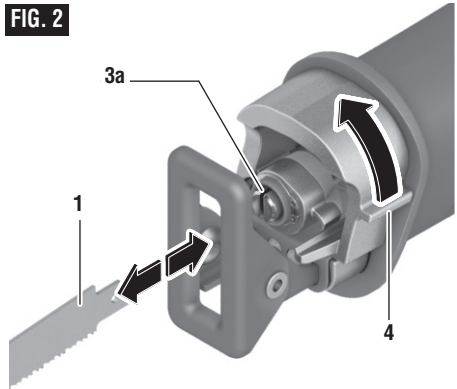
#### INSTALLATION ET RETRAIT D'UNE LAME

Faites tourner le levier de changement de lame **4** d'environ 60° dans le sens indiqué et maintenez-le en place. Faites ensuite glisser la lame de scie **1** dans la fente du porte-lame de scie **3a**. Laissez le levier revenir dans sa position d'origine (Fig. 2). Assurez-vous que la lame est verrouillée solidement en place.

Pour retirer la lame, faites tourner le levier de changement de lame **4** d'environ 60° dans le sens illustré tout en tirant sur la lame **1** afin de la faire sortir de la fente prévue pour la lame. **REMARQUE** : faites attention, la lame peut être très chaude (Fig. 2).

**⚠ AVERTISSEMENT** Assurez-vous que l'extrémité avant de la lame dépasse du sabot sur toute la course de la lame. N'utilisez pas de lames spéciales très courtes ou de lames qui sont tordues de manière significative. La lame ne doit pas toucher le sabot. Les lames trop courtes ou tordues risquent de se coincer à l'intérieur du sabot et de casser.

FIG. 2



#### INSERTION ET RETRAIT DU BLOC-PILES

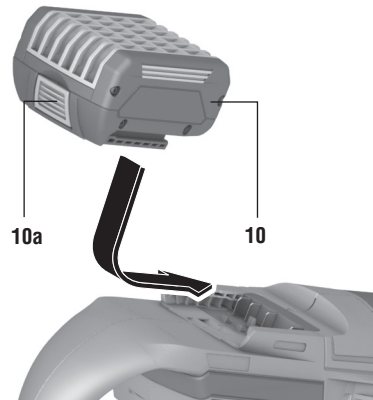
Faites glisser le bloc-piles **10** dûment chargé dans le boîtier jusqu'à ce que le bloc-piles se verrouille en place (Fig. 3).

Votre outil est muni d'un mécanisme de verrouillage secondaire pour empêcher le bloc-piles de tomber complètement du boîtier de l'outil au cas il s'en détacherait en conséquence des vibrations.

Pour retirer le bloc-piles **10**, appuyez sur le bouton de libération du bloc-piles **10a** et faites glisser le bloc-piles complètement vers l'avant (Fig. 3).

Appuyez à nouveau sur le bouton de libération du bloc-piles **10a** et faites glisser le bloc-piles complètement en dehors du boîtier de l'outil (Fig. 3).

FIG. 3



## Consignes de fonctionnement

### PROTECTION CONTRE LES DÉCHARGES PROFONDES

La pile lithium-ion est protégée contre les décharges profondes par un système ECP (Electronic Cell Protection). La pile lithium-ion est protégée contre les décharges profondes par un système ECP (Electronic Cell Protection). Lorsque la pile est vide, l'outil est mis automatiquement hors service au moyen d'un circuit de protection.

**⚠ MISE EN GARDE** Ne continuez pas à appuyer sur l'interrupteur à gâchette après la mise hors tension automatique de l'outil. Ceci pourrait endommager les piles.

### BOUTON DE DÉVERROUILLAGE

Votre scie est pourvue d'un bouton de déverrouillage **9** servant à prévenir tout risque de démarrage accidentel de l'outil. Poussez le bouton de déverrouillage **9** vers l'avant pour rendre possible l'enfoncement du commutateur à gâchette à vitesse variable **8** (Fig. 1).

### CADRAN DE VITESSE MAXIMUM

Votre scie est pourvue d'un cadran de vitesse maximum **7**. La fréquence de frappe de la lame peut être ajustée pendant l'opération de coupe en réglant à l'avance le cadran **7** sur l'un quelconque des six chiffres possibles, ou entre ces chiffres (Fig. 1).

Paramètres	Fréquence de frappe ( / min)
1	.....600
2	.....1000
3	.....1400
4	.....1800
5	.....2200
6	.....2500

### COMMUTATEUR A GACHETTE CONTROLE A VITESSE VARIABLE

Votre outil est muni d'un interrupteur à gâchette contrôlé à vitesse variable **8**. Pour mettre l'outil sous tension, appuyez sur le bouton de déverrouillage **9** et tirez sur l'interrupteur à gâchette **8** (Fig. 1). L'outil se désactivera automatiquement dès que vous cesserez d'appuyer sur la gâchette.

La fréquence de frappe de la lame peut être ajustée de la fréquence minimum à la fréquence maximum (comme indiqué sur le cadran de vitesse maximum) par la pression que vous appliquez sur la gâchette. Appliquez plus de pression pour augmenter la vitesse et relâchez la pression afin de réduire la vitesse.

La fréquence de frappe requise dépend du matériau que vous coupez et des conditions de travail ; elle peut être déterminée par un essai de coupe initial.

Il est recommandé de réduire la fréquence de frappe lorsque la lame de la scie s'engage dans le matériau à couper ainsi que quand vous sciez du plastique ou de l'aluminium.

### CIRCUIT CONSTANT RESPONSE

Le système de feedback électronique interne prévoit un « démarrage en douceur », qui réduit la pression exercée lors des applications à couple élevé au début. Le système maintient également la vitesse sélectionnée en charge pour assurer l'efficacité maximum.

### CONTRÔLE DES VIBRATIONS



Cet outil est pourvu d'un système d'équilibrage très efficace pour minimiser les vibrations afin de permettre un meilleur contrôle et plus de confort.

### ÉCLAIRAGE DE TRAVAIL À DEL INCORPORÉ

Votre outil est muni d'un éclairage de travail à DEL **12** qui s'allume automatiquement lorsque l'interrupteur à gâchette est activé. Lorsque l'outil est désactivé, l'éclairage s'éteint (Fig. 1).

### PARAMÈTRES DE RÉGLAGE DE L'ACTION ORBITALE

L'action orbitale réglable permet de régler de façon optimale la vitesse de coupe, la capacité de coupe et le type de coupe en fonction du matériau à couper. Le commutateur d'action orbitale **6** vous permet de régler le niveau de l'action orbitale (Fig. 1).

**Action orbitale désactivée (niveau 0)** : pour couper un matériau fin ou dur, comme de la tôle ou de l'acier. Pour produire des bords de coupe nets

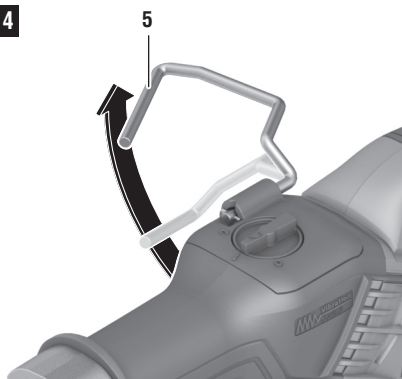
**Niveau d'action orbitale 1** : pour couper des métaux non ferreux, du bois dur, du plastique ou des matériaux de densité intermédiaire.

**Niveau d'action orbitale 2** : pour couper des matériaux mous, p. ex., des matériaux de construction mous, des matériaux isolants, du bois tendre.

### CROCHET POUR LA SCIE

Votre outil est pourvu d'un crochet pour scie très pratique pour y accrocher votre outil. Pour vous en servir, soulevez simplement le crochet **5** jusqu'à ce qu'il se mette en position ouverte (Fig. 4).

FIG. 4



**⚠ AVERTISSEMENT** Lorsque vous utilisez le crochet pour suspendre la scie, n'oubliez jamais que l'accessoire est exposé. Suspendez toujours l'outil à un endroit où vous ne risquez pas, et de quelconques autres personnes présentes ne risquent pas, d'entrer accidentellement en contact avec l'accessoire.

**Pour réduire le risque de blessure, faites très attention quand vous sélectionnez l'endroit où vous suspendez l'outil.**

- Sélectionnez un objet de taille et de forme appropriées qui permettra de suspendre l'outil de façon stable et adéquate. Une surface de suspension instable pourrait causer la chute accidentelle de l'outil.
- Assurez-vous que l'outil est accroché à un endroit qui n'est pas dans une zone de travail ou une voie de passage empruntée par diverses personnes. Un passant pourrait se cogner sur l'outil ou s'empêtrer dans le cordon d'alimentation électrique et causer ainsi sa chute accidentelle.

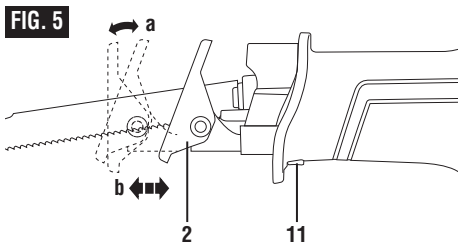
**⚠ AVERTISSEMENT** Pour réduire le risque de blessure, n'utilisez pas le crochet prévu pour la scie s'il semble endommagé ou déformé. Ceci risquerait de produire une surface de suspension instable qui pourrait causer la chute accidentelle de l'outil.

Lorsque vous ne vous en servez pas, fermez toujours le crochet en vous assurant qu'il est bien dans sa position refermée.

#### REGLAGE DE LA PLAQUE D'ASSISE

La plaque d'assise 2 s'incline de façon à permettre qu'autant que possible de sa surface soit en contact avec la surface de travail (Fig. 5 [a]).

La plaque d'assise 2 peut également être verrouillée

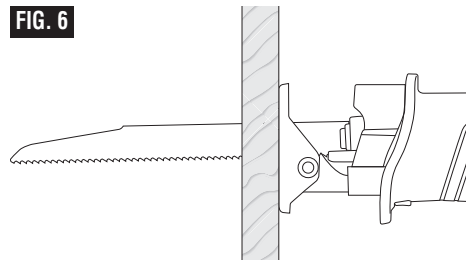


dans une de trois positions de projection afin d'optimiser la durée de vie de la lame et/ou de réduire le dépassement de la lame au-delà de l'extrémité de la plaque d'assise, comme lors de la coupe de tuyaux de grand diamètre ou de la coupe dans des murs. Pour régler la position de la plaque d'assise, appuyez simplement sur le bouton de relâchement de la plaque d'assise 11 et mettez la plaque d'assise 2 dans la position désirée. Le mécanisme de verrouillage comporte des ressorts permettant de verrouiller dans l'une des trois positions sur l'ensemble de plaque d'assise. Si la plaque d'assise est tirée à tel point qu'une encoche est visible à l'autre extrémité de l'arbre, cela signifie que l'ensemble de plaque d'assise est étendu excessivement et qu'il doit être rétracté dans l'une des trois positions (Fig. 5 [b]).

**⚠ AVERTISSEMENT** Ne vous servez pas de la scie sans que la plaque d'assise ait été installée et sécurisée.

**⚠ AVERTISSEMENT** N'appuyez pas sur le bouton de relâchement de la plaque d'assise pendant que vous sciez. Ceci causerait l'application de paramètres différents de ceux qui étaient désirés pour la plaque d'assise, et vous risqueriez de perdre le contrôle et de vous blesser.

**⚠ AVERTISSEMENT** Pour réduire le risque de blessure, assurez-vous que la lame s'étend au-delà de la plaque d'assise et jusqu'à l'extrémité de l'ouvrage pendant toute l'opération de coupe. Les lames risquent de se briser en éclats si elles entrent en contact avec la plaque d'assise ou si elles entrent en contact avec l'ouvrage à un angle tellement que le choc est presque frontal (Fig. 6).



## Utilisation de la scie

1. Brider fermement la pièce.
2. Faire un trait de scie et saisir l'outil en mettant une main sur la poignée et l'autre sur le manchon en caoutchouc recouvrant le boîtier avant.

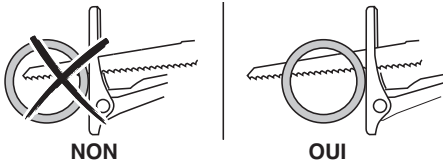
**⚠ AVERTISSEMENT** Tenez toujours la scie par le manchon isolé situé sur le devant du boîtier. Si vous sciez en aveugle dans un endroit contenant des fils sous tension, vous risquez un choc électrique ou une électrocution.

3. Appuyez fermement le sabot contre la pièce pour minimiser la force de réaction (soubresauts) et les vibrations.
4. Appuyez sur la gâchette pour démarrer l'outil. Laissez la scie atteindre son plein régime avant de commencer à scier. Guidez la scie pour que la lame suive le trait de scie.

### CONSEILS POUR LE SCIAGE

Suivez ces quelques conseils simples pour réduire l'usure de la pièce et de l'outil et la fatigue de l'utilisateur.

1. Les lames scient en tirant lors de la course de retour. Pour les travaux fins tels que les panneaux ou la fibre de verre, mettez le côté vu du panneau en dessous (et sciez sur l'envers).
2. Utilisez une lame qui convient au matériau à scier et ayez des lames de rechange à portée de main pour remplacer les lames émoussées. Remplacez immédiatement les lames fissurées ou tordues.
3. Choisissez la vitesse de coupe qui convient.
4. Pour réduire le risque de blessures, assurez-vous que la lame dépasse toujours du sabot et de la pièce sur toute sa course. Si l'avant de la lame heurte le sabot ou la pièce, la lame risque de se fracasser.



5. Lorsqu'on scie du métal :

- Lubrifiez pour scier plus facilement, plus régulièrement et plus rapidement et pour allonger la durée de vie de la lame.
- Pour les métaux non ferreux, l'aluminium, le bronze ou le laiton mettez de la cire en bâton sur la lame.
- Pour les métaux ferreux, le fer et l'acier mettez de l'huile à machine ou de l'huile de coupe sur la surface à scier.

6. Pour scier des métaux fins, mettez la pièce en sandwich entre deux chutes de bois. Bridez l'ensemble ou mettez-le dans un étau. Si le bridage

est suffisant, une seule chute de bois sur le dessus suffit. Faites votre tracé sur la chute de bois.

7. Ne forcez pas sur la scie. Laissez la lame et la scie faire le travail.

### COUPES DE CAVITES/EN PLONGEE

La scie alternative peut être utilisée pour effectuer des coupes en plongée dans un matériau tendre (par exemple, du bois ou des matériaux de construction légers pour des parois) sans nécessiter de trou initial (Fig. 7).

1. Marquez clairement la ligne à couper sur l'ouvrage.
2. Placez l'outil avec un bord de la plaque d'assise fermement contre le matériau.
3. Placez la pointe de la lame (sans que la scie ne soit en marche) sur le trait à couper.
4. Inclinez la scie pour que la lame dépasse l'ouvrage.
5. Comprimez l'interrupteur à gâchette et engagez délicatement la lame de scie en mouvement dans le matériau.
6. Après que la lame aura pénétré dans le matériau à couper, continuez à scier le long du trait ayant été tracé précédemment.

#### Remarques :

Pour faciliter les coupes en plongée, utilisez une lame épaisse, installez la lame avec les dents orientées vers le haut et tenez la scie sens dessus dessous comme illustré (Fig. 8).

Ne réalisez pas de coupe en plongée dans des surfaces en métal.

Il ne faut pas tenter de réaliser des coupes en plongée dans les matériaux épais et dans les matériaux durs, comme le métal. De tels matériaux ne peuvent être coupés avec la scie alternative qu'en commençant la coupe depuis le bord du matériau ou à partir d'un trou percé à travers toute la surface du matériau qui serait assez grand pour permettre d'y engager complètement la lame de la scie.

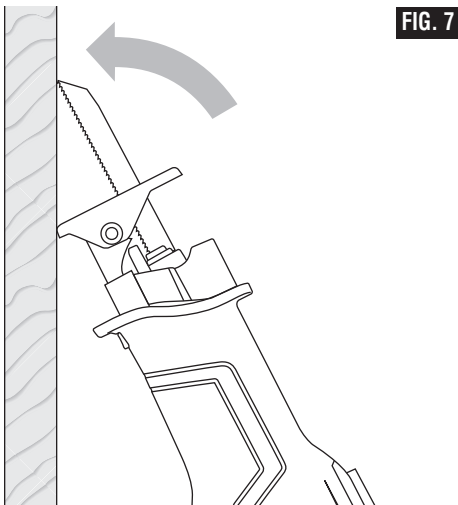


FIG. 7

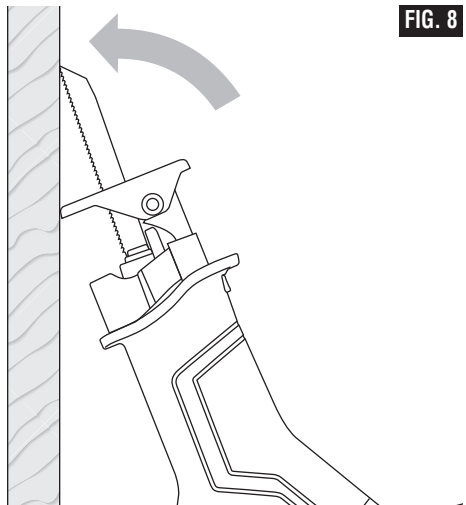


FIG. 8

## Entretien

### Service

**⚠ AVERTISSEMENT** IL N'EXISTE À L'INTÉRIEUR AUCUNE PIÈCE SUSCEPTIBLE D'ÊTRE ENTRETENUE PAR L'UTILISATEUR. L'entretien préventif exécuté par des personnes non autorisés peut entraîner un positionnement erroné des composants et des fils internes, ce qui peut présenter de graves dangers. Nous recommandons de confier toute intervention d'entretien sur l'outil à un centre de service-usine Bosch ou à un centre de service après-vente Bosch agréé. **TECHNICIENS :** Débranchez l'outil et/ou le chargeur de la source de courant avant d'entretenir.

### PILES

**Faire attention aux blocs-piles qui approchent la fin de leur vie.** Si vous remarquez une diminution dans les performances de votre outil ou une durée de fonctionnement réduite de manière significative entre charges, il est temps de remplacer le bloc-piles. S'il n'est pas remplacé, il se peut qu'il endommage le chargeur ou que l'outil fonctionne incorrectement.

### GRAISSAGE DE L'OUTIL

Votre outil Bosch a été graissé de manière appropriée et il est prêt à l'usage.

### MOTEURS C.C.

Le moteur de votre outil a été conçu pour de nombreuses heures d'utilisation fiable. Pour maintenir l'efficacité maximale du moteur, nous recommandons de l'examiner tous les six mois. Seul un moteur de remplacement Bosch authentique, conçu spécialement pour votre outil, doit être utilisé.

### Nettoyage

**⚠ AVERTISSEMENT** Pour éviter les accidents, débranchez toujours l'outil et/ou le chargeur de la source de courant avant de nettoyer. La façon la plus efficace de nettoyer l'outil est à l'aide d'air sec comprimé. Portez toujours des lunettes de sécurité en nettoyant les outils à l'air comprimé.

Gardez les prises d'air et les interrupteurs propres et libres de débris. N'essayez pas de les nettoyer en introduisant des objets pointus dans leurs ouvertures.

**⚠ MISE EN GARDE** Certains agents de nettoyages et certains dissolvants abîment les pièces en plastique. Parmi ceux-ci se trouvent: l'essence, le tétrachlorure de carbone, les dissolvants de nettoyage chlorés, l'ammoniaque ainsi que les détergents domestiques qui en contiennent.





## Accessoires

**⚠ AVERTISSEMENT** L'utilisation d'autres accessoires non spécifiés dans ce mode d'emploi pourrait être dangereuse.

Équipement standard	Accessoires en option
- Lames de scies alternatives	- Sac de transport ; - Mallette de transport

## Símbolos de seguridad

Las definiciones que aparecen a continuación describen el nivel de gravedad de cada palabra de señal de seguridad. Por favor, lea el manual y preste atención a estos símbolos.

	<p>Éste es el símbolo de alerta de seguridad. Se utiliza para alertarle a usted de posibles peligros de lesiones corporales. Obedezca todos los mensajes de seguridad que sigan a este símbolo para evitar posibles lesiones o muerte.</p>
	<p>PELIGRO indica una situación peligrosa que, si no se evita, causará la muerte o lesiones graves.</p>
	<p>ADVERTENCIA indica una situación peligrosa que, si no se evita, podría causar la muerte o lesiones graves.</p>
	<p>PRECAUCIÓN, cuando se utiliza con el símbolo de alerta de seguridad, indica una situación peligrosa que, si no se evita, causará lesiones leves o moderadas.</p>

## Advertencias generales de seguridad para herramientas mecánicas

**ADVERTENCIA** Lea todas las advertencias de seguridad y todas las instrucciones. Si no se siguen las advertencias e instrucciones, el resultado podría ser sacudidas eléctricas, incendio y/o lesiones graves.

### GUARDE TODAS LAS ADVERTENCIAS E INSTRUCCIONES PARA REFERENCIA FUTURA

La expresión "herramienta mecánica" en las advertencias se refiere a su herramienta mecánica alimentada por la red eléctrica (herramienta alámbrica) o su herramienta mecánica alimentada por baterías (herramienta inalámbrica).

#### Seguridad del área de trabajo

**Mantenga el área de trabajo limpia y bien iluminada.** Las áreas desordenadas u oscuras invitan a que se produzcan accidentes.

**No utilice herramientas mecánicas en atmósferas explosivas, como por ejemplo en presencia de líquidos, gases o polvos inflamables.** Las herramientas mecánicas generan chispas que pueden incendiar el polvo o los vapores.

**Mantenga alejados a los niños y a las personas que estén presentes mientras esté utilizando una herramienta mecánica.** Las distracciones pueden hacerle perder el control de la herramienta.

#### Seguridad eléctrica

**Los enchufes de las herramientas mecánicas deben coincidir con el tomacorriente. No modifique nunca el enchufe de ningún modo. No use enchufes adaptadores con herramientas mecánicas conectadas a tierra (puestas a tierra).** Los enchufes no modificados y los tomacorrientes coincidentes reducirán el riesgo de sacudidas eléctricas.

**Evite el contacto del cuerpo con las superficies conectadas o puestas a tierra, tales como tuberías,**

**radiadores, estufas y refrigeradores.** Hay un aumento del riesgo de sacudidas eléctricas si el cuerpo del operador se conecta o pone a tierra.

**No exponga las herramientas mecánicas a la lluvia o a condiciones mojadas.** La entrada de agua en una herramienta mecánica aumentará el riesgo de que se produzcan sacudidas eléctricas.

**No maltrate el cordón de energía. No use nunca el cordón para transportar la herramienta mecánica, tirar de ella o desenchufarla. Mantenga el cordón alejado del calor, el aceite, los bordes afilados o las piezas móviles.** Los cordones dañados o enganchados aumentan el riesgo de que se produzcan sacudidas eléctricas.

**Cuando utilice una herramienta mecánica en el exterior, use un cordón de extensión adecuado para uso a la intemperie.** La utilización de un cordón adecuado para uso a la intemperie reduce el riesgo de que se produzcan sacudidas eléctricas.

**Si es inevitable utilizar una herramienta mecánica en un lugar húmedo, utilice una fuente de energía protegida por un interruptor de circuito accionado por corriente de pérdida a tierra (GFCI).** El uso de un GFCI reduce el riesgo de sacudidas eléctricas.



## Seguridad personal

**Manténgase alerta, fíjese en lo que está haciendo y use el sentido común cuando esté utilizando una herramienta mecánica. No use una herramienta mecánica cuando esté cansado o bajo la influencia de drogas, alcohol o medicamentos.** Un momento de distracción mientras esté utilizando herramientas mecánicas podría causar lesiones corporales graves.

**Use equipo de protección personal. Use siempre protección de los ojos.** El equipo de protección, como por ejemplo una máscara antipolvo, calzado de seguridad antideslizante, casco o protección de oídos, utilizado para las condiciones apropiadas, reducirá las lesiones corporales.

**Evite el arranque accidental. Asegúrese de que el interruptor esté en la posición de apagado antes de conectar la herramienta a la fuente de energía y / o al paquete de batería, levantar la herramienta o transportarla.** Transportar herramientas mecánicas con un dedo en el interruptor o encender herramientas mecánicas que tengan el interruptor en la posición de encendido invita a que se produzcan accidentes.

**Quite todas las llaves de ajuste o de tuerca antes de encender la herramienta mecánica.** Una llave de tuerca o de ajuste que se deje colocada en una pieza giratoria de la herramienta mecánica podría causar lesiones corporales.

**No intente alcanzar demasiado lejos. Mantenga un apoyo de los pies y un equilibrio apropiados en todo momento.** Esto permite controlar mejor la herramienta mecánica en situaciones inesperadas.

**Vístase adecuadamente. No use ropa holgada ni alhajas holgadas. Mantenga el pelo, la ropa y los guantes alejados de las piezas móviles.** La ropa holgada, las alhajas holgadas o el pelo largo pueden quedar atrapados en las piezas móviles.

**Si se proporcionan dispositivos para la conexión de instalaciones de extracción y recolección de polvo, asegúrese de que dichas instalaciones estén conectadas y se usen correctamente.** El uso de dispositivos de recolección de polvo puede reducir los peligros relacionados con el polvo.

## Uso y cuidado de las herramientas mecánicas

**No fuerce la herramienta mecánica. Use la herramienta mecánica correcta para la aplicación que desee realizar.** La herramienta mecánica correcta hará el trabajo mejor y con más seguridad a la capacidad nominal para la que fue diseñada.

**No use la herramienta mecánica si el interruptor no la enciende y apaga.** Toda herramienta mecánica que no se pueda controlar con el interruptor es peligrosa y debe ser reparada.

**Desconecte el enchufe de la fuente de energía y/o el paquete de batería de la herramienta mecánica antes de hacer cualquier ajuste, cambiar accesorios o almacenar herramientas mecánicas.** Dichas medidas

preventivas de seguridad reducen el riesgo de arrancar accidentalmente la herramienta mecánica.

**Guarde las herramientas que no esté usando fuera del alcance de los niños y no deje que personas que no estén familiarizadas con la herramienta mecánica o con estas instrucciones utilicen la herramienta.** Las herramientas mecánicas son peligrosas en manos de usuarios que no hayan recibido capacitación.

**Mantenga las herramientas mecánicas. Compruebe si hay piezas móviles desalineadas o que se atorán, si hay piezas rotas y si existe cualquier otra situación que podría afectar el funcionamiento de la herramienta mecánica. Si la herramienta mecánica está dañada, haga que la reparen antes de usarla.** Muchos accidentes son causados por herramientas mecánicas mantenidas deficientemente.

**Mantenga las herramientas de corte afiladas y limpias.** Es menos probable que las herramientas de corte mantenidas apropiadamente, con bordes de corte afilados, se atorán, y dichas herramientas son más fáciles de controlar.

**Utilice la herramienta mecánica, los accesorios, las brocas de la herramienta, etc., de acuerdo con estas instrucciones, teniendo en cuenta las condiciones de trabajo y el trabajo que se vaya a realizar.** El uso de la herramienta mecánica para operaciones distintas a aquéllas para las que fue diseñada podría causar una situación peligrosa.

## Uso y cuidado de las herramientas alimentadas por baterías

**Recargue las baterías solamente con el cargador especificado por el fabricante.** Un cargador que es adecuado para un tipo de paquete de batería puede crear un riesgo de incendio cuando se utiliza con otro paquete de batería.

**Utilice las herramientas mecánicas solamente con paquetes de batería designados específicamente.** El uso de cualquier otro paquete de batería puede crear un riesgo de lesiones e incendio.

**Cuando el paquete de batería no se esté usando, manténgalo alejado de otros objetos metálicos, tales como sujetapapeles, monedas, llaves, clavos, tornillos u otros objetos metálicos pequeños que pueden hacer una conexión de un terminal a otro.** Si se cortocircuitan los terminales de la batería uno con otro, se pueden causar quemaduras o un incendio.

**En condiciones abusivas, es posible que se eyecte líquido de la batería. Evite el contacto. Si se produce un contacto accidental, enjuáguese con agua. Si el líquido entra en contacto con los ojos, obtenga además ayuda médica.** El líquido que salga eyectado de la batería puede causar irritación o quemaduras.

## Servicio de ajustes y reparaciones

**Haga que su herramienta mecánica reciba servicio de un técnico de reparaciones calificado, utilizando únicamente piezas de repuesto idénticas.** Esto asegurará que se mantenga la seguridad de la herramienta mecánica.

## Normas de seguridad para sierras alternativas sin cordón

**Agarre la herramienta eléctrica por las superficies de agarre con aislamiento cuando realice una operación en la que el accesorio de corte pueda entrar en contacto con cableado oculto.** Si el accesorio de corte entra en contacto con un cable con corriente, puede que eso haga que las partes metálicas de la herramienta eléctrica que están al descubierto lleven corriente, lo cual podría causar una descarga eléctrica al operador.

**Use abrazaderas u otro modo práctico de sujetar y soportar la pieza de trabajo en una plataforma estable.** Si se sujeta la pieza de trabajo con la mano o contra el cuerpo, se crea una situación inestable que podría causar pérdida de control.

**No taladre, rompa, ni haga trabajo de sujeción en paredes existentes ni en otras áreas ciegas donde pueda haber cables eléctricos.** Si esta situación es inevitable, desconecte todos los fusibles o cortacircuitos que alimentan este sitio de trabajo.

**Mantenga las manos alejadas del área de corte. No ponga las manos debajo del material que se esté cortando.** La proximidad de la hoja a las manos queda oculta a la vista.

**Mantenga las manos alejadas de la posición entre la caja de engranajes y la abrazadera de la hoja de sierra (émbolo).** La abrazadera de la hoja alternativa (émbolo de la hoja) puede pellizcarle los dedos.

**No utilice hojas desafiladas o dañadas.** Las hojas dobladas pueden romperse fácilmente o causar retroceso.

**Antes de comenzar a cortar, encienda la herramienta y deje que la hoja alcance toda su velocidad.** La herramienta puede rechinar o vibrar si la velocidad de la hoja es demasiado baja al comienzo del corte y posiblemente experimentar retroceso.

**Use siempre anteojos de seguridad o protección de los ojos cuando utilice esta herramienta. Use una máscara antipolvo o un respirador cuando realice aplicaciones que generen polvo.**

**Sujete firmemente el material antes de cortarlo. Nunca lo sostenga en la mano o sobre las piernas.** El material pequeño o delgado puede flexionarse o vibrar con la hoja, causando pérdida de control.

**Asegúrese de que todos los tornillos (pomos) de ajuste y la abrazadera de la hoja estén apretados antes de hacer un corte.** Los tornillos de ajuste flojos y las abrazaderas flojas pueden hacer que la herramienta o la hoja resbalen y el resultado podría ser pérdida de control.

**Al quitar la hoja de la herramienta, evite el contacto con la piel y utilice guantes de protección adecuados cuando agarre la hoja o el accesorio.** Los accesorios pueden estar calientes después de un uso prolongado.

**Cuando utilice el gancho utilitario, tenga siempre presente que la hoja está al descubierto.** Cuelgue siempre la herramienta en un área en la que usted o las personas que se encuentren presentes no puedan entrar en contacto accidentalmente con la hoja.

**Asegúrese de que el interruptor esté en la posición de APAGADO antes de insertar el paquete de batería.** Si se inserta el paquete de batería en la herramienta eléctrica cuando ésta tenga el interruptor en la posición de ENCENDIDO se invita a que ocurra un accidente.

**Cuando utilice la sierra continuamente y por períodos de tiempo prolongados, es posible que la caja de engranajes se ponga caliente al tacto.** Para reducir el riesgo de lesiones, use guantes protectores durante la utilización de la sierra.

## Advertencias de seguridad adicionales

Un GFCI y los dispositivos de protección personal, como guantes de goma y calzado de goma de electricista, mejorarán más su seguridad personal.

**No use herramientas mecánicas con capacidad nominal solamente para CA con una fuente de energía de CC.** Aunque pueda parecer que la herramienta funciona correctamente, es probable que los componentes eléctricos de la herramienta con capacidad nominal para CA fallen y creen un peligro para el operador.

**Mantenga los mangos secos, limpios y libres de aceite y grasa.** Las manos resbalosas no pueden controlar de modo seguro la herramienta mecánica.

**Desarrolle un programa de mantenimiento periódico de la herramienta. Cuando limpie una herramienta, tenga cuidado de no desmontar ninguna de sus partes, ya que los cables internos podrían reubicarse incorrectamente o pellizcarse, o los resortes de retorno de los protectores de seguridad podrían montarse incorrectamente.** Ciertos agentes de limpieza, tales como gasolina, tetracloruro de carbono, amoníaco, etc., podrían dañar las piezas de plástico.








**⚠ ADVERTENCIA** Cierta polvos generados por el lijado, aserrado, amolado y taladrado mecánicos, y por otras actividades de construcción, contienen agentes químicos que se sabe que causan cáncer, defectos de nacimiento u otros daños sobre la reproducción. Algunos ejemplos de estos agentes químicos son:

- Plomo de pinturas a base de plomo,
- Sílice cristalina de ladrillos y cemento y otros productos de mampostería, y
- Arsénico y cromo de madera tratada químicamente.

Su riesgo por causa de estas exposiciones varía, dependiendo de con cuánta frecuencia realice este tipo de trabajo. Para reducir su exposición a estos agentes químicos: trabaje en un área bien ventilada y trabaje con equipo de seguridad aprobado, como por ejemplo máscaras antipolvo que estén diseñadas especialmente para impedir mediante filtración el paso de partículas microscópicas.

## Símbolos

**IMPORTANTE:** Es posible que algunos de los símbolos siguientes se usen en su herramienta. Por favor, estúdielos y aprenda su significado. La interpretación adecuada de estos símbolos le permitirá utilizar la herramienta mejor y con más seguridad.

Símbolo	Désignación / Explicación
V	Volt (tensión)
A	Ampere (corriente)
Ah	Amperes-hora (medición de la capacidad de la batería)
Hz	Hertz (frecuencia, ciclos por segundo)
W	Watt (potencia)
kg	Kilogramo (peso)
min	Minuto (tiempo)
s	Segundo (tiempo)
$\varnothing$	Diámetro (tamaño de las brocas taladradoras, muelas, etc)
$n_0$	Velocidad sin carga (velocidad rotacional sin carga)
n	Velocidad nominal (máxima velocidad obtenible)
.../min	Revoluciones o alternación por minuto (revoluciones, golpes, velocidad de superficie, órbitas, etc., por minuto)
0	Posición "off" (velocidad cero, par motor cero...)
1, 2, 3, ... I, II, III,	Graduaciones del selector (graduaciones de velocidad, par motor o posición. Un número más alto significa mayor velocidad)
	Selector infinitamente variable con apagado (la velocidad aumenta desde la graduación de 0)
	Flecha (Acción en la dirección de la flecha)
	Corriente alterna (tipo o una característica de corriente)
	Corriente continua (tipo o una característica de corriente)
	Corriente alterna o continua (tipo o una característica de corriente)
	Construcción de clase II (designa las herramientas de construcción con aislamiento doble)
	Terminal de toma de tierra (terminal de conexión a tierra)

## Símbolos (continuación)

**IMPORTANTE:** Es posible que algunos de los símbolos siguientes se usen en su herramienta. Por favor, estúdielos y aprenda su significado. La interpretación adecuada de estos símbolos le permitirá utilizar la herramienta mejor y con más seguridad.

Símbolo	Désignación / Explicación
	Designa el programa de reciclaje de baterías de Li-ion.
	Designa el programa de reciclaje de baterías de Ni-Cd.
	Alerta al usuario para que lea el manual.
	Alerta al usuario para que use protección de los ojos.
	Este símbolo indica que esta herramienta está catalogada por Underwriters Laboratories.
	Este símbolo indica que este componente está reconocido por Underwriters Laboratories.
	Este símbolo indica que Underwriters Laboratories ha catalogado esta herramienta indicando que cumple con las normas estadounidenses y canadienses.
	Este símbolo indica que esta herramienta está catalogada por la Canadian Standards Association.
	Este símbolo indica que la Canadian Standards Association ha catalogado esta herramienta indicando que cumple con las normas estadounidenses y canadienses.
	Este símbolo indica que Intertek Testing Services ha catalogado esta herramienta indicando que cumple con las normas estadounidenses y canadienses.
	Este símbolo indica que esta herramienta cumple con la norma mexicana oficial (NOM).

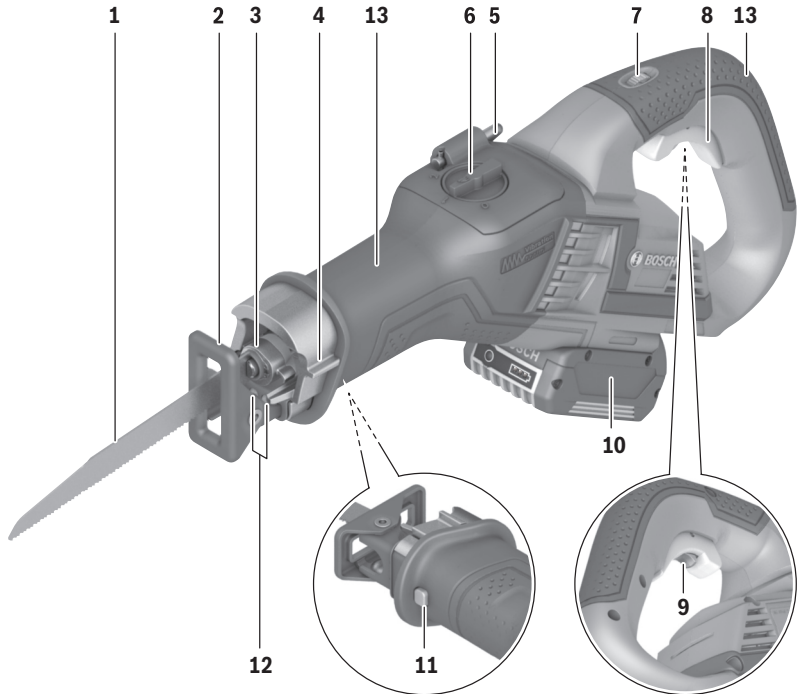
## Descripción funcional y especificaciones



**ADVERTENCIA** Desconecte el paquete de batería de la herramienta antes de realizar cualquier ensamblaje, ajuste o cambio de accesorios. Dichas medidas preventivas de seguridad reducen el riesgo de arrancar la herramienta accidentalmente.

### Sierra alternativa sin cordón

FIG. 1



1 Hoja de la sierra

2 Placa-base

3 Portahoja

4 Palanca de cambio de la hoja

5 Gancho de sierra

6 Interruptor de acción orbital

7 Dial de velocidad máxima

8 Interruptor gatillo de velocidad variable

9 Botón de fijación en apagado

10 Paquete de batería

11 Botón de liberación de la placa-base

12 Luz de trabajo LED

13 Superficies de agarre con aislamiento

Número de modelo .....	GSA18V-125
Tensión nominal .....	18V $\overline{\text{---}}$ MÁX
Velocidad sin carga .....	$n_0$ 0- 2500/min (SPM)
<b>Capacidades máximas</b>	
Longitud de carrera .....	1,25" (32 mm)

#### Paquetes de batería/Cargadores de baterías

Sírvase consultar el Manual de la batería/cargador que se incluye con su herramienta.

**NOTA:** Para obtener las especificaciones de la herramienta, consulte la placa del fabricante colocada en la herramienta.

## Ensamblaje

**⚠ ADVERTENCIA** Desconecte el paquete de batería de la herramienta antes de realizar cualquier ensamblaje, ajuste o cambio de accesorios. Dichas medidas preventivas de seguridad reducen el riesgo de arrancar la herramienta accidentalmente.

### Preparación de la sierra

#### SELECCIÓN DE HOJAS

Ninguna hoja puede ser eficaz en todos los trabajos de corte. Materiales diferentes requieren hojas diseñadas especialmente. Como la sierra alternativa puede cortar tantos materiales, hay muchos tipos de hojas BOSCH disponibles. Asegúrese de utilizar la hoja adecuada para asegurar un rendimiento de corte adecuado.

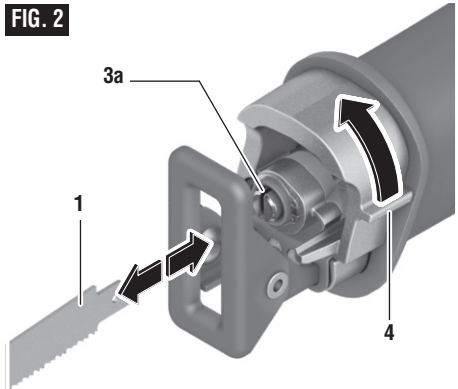
#### INSTALACIÓN Y REMOCIÓN DE UNA HOJA

Gire la palanca de cambio de la hoja **4** aproximadamente  $60^\circ$  en el sentido que se muestra en la ilustración y manténgala en esa posición. Deslice la hoja de la sierra **1** hacia el interior de la ranura del portahoja de sierra **3a**. Suelte la palanca **4** (Fig. 2). Asegúrese de que la hoja esté firmemente sujeta en la posición correcta.

Para retirar la hoja, gire la palanca de cambio de la hoja **4** aproximadamente  $60^\circ$  en el sentido que se muestra en la ilustración, a la vez que jala la hoja **1** hasta sacarla de la ranura para la hoja. **NOTA:** tenga cuidado, puede que la hoja esté caliente (Fig. 2).

**⚠ ADVERTENCIA** Asegúrese de que el extremo delantero de la hoja se extienda a través de la placa-base a lo largo de toda la longitud de la carrera. No utilice hojas especiales que sean muy cortas o que tengan una oblicuidad significativa. La hoja no debe hacer contacto con la placa-base. Una hoja que sea demasiado corta u oblicua podría atascarse dentro de la placa-base y romperse bruscamente.

FIG. 2



### INTRODUCCIÓN Y SUELTA DEL PAQUETE DE BATERÍAS

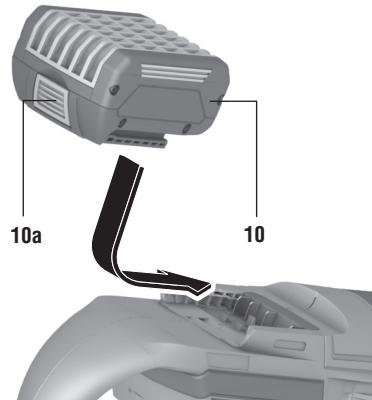
Deslice el paquete de batería **10** cargado hacia el interior de la carcasa hasta que dicho paquete quede fijo en la posición correcta (Fig. 3).

Su herramienta está equipada con un pestillo de fijación secundario para impedir que el paquete de batería se caiga por completo de la carcasa de la herramienta, en caso de que se afloje debido a las vibraciones.

Para retirar el paquete de batería **10**, presione el botón de liberación del paquete de batería **10a** y deslice dicho paquete hacia delante (Fig. 3).

Presione de nuevo el botón de liberación del paquete de batería **10a** y deslice dicho paquete hasta sacarlo completamente de la carcasa de la herramienta (Fig. 3).

FIG. 3



## Instrucciones de funcionamiento

### PROTECCIÓN CONTRA LA DESCARGA PROFUNDA

La batería de iones de litio está protegida contra la descarga profunda por la "protección con células electrónicas" (Electronic Cell Protection, ECP). Cuando la batería esté vacía, la herramienta se apagará por medio de un circuito protector.

**⚠ PRECAUCIÓN** No continúe presionando el interruptor gatillo después de que la herramienta se haya apagado automáticamente. La batería se puede dañar.

### BOTÓN DE FIJACIÓN EN APAGADO

Su sierra está equipada con un botón de fijación en apagado **9** para impedir un arranque accidental de la herramienta. Presione hacia delante el botón de fijación en apagado **9** para hacer que sea posible presionar el interruptor gatillo de velocidad variable **8** (Fig. 1).

### DIAL DE VELOCIDAD MÁXIMA

Su sierra está equipada con un dial de velocidad máxima **7**. La velocidad de carrera de la hoja se puede ajustar durante la operación de corte preajustando el dial **7** en o entre cualquiera de los seis números (Fig. 1).

Ajuste	Velocidad de carrera (/ min)
1	600
2	1000
3	1400
4	1800
5	2200
6	2500

### INTERRUPTOR GATILLO DE VELOCIDAD VARIABLE CONTROLADA

Su herramienta está equipada con un interruptor gatillo de velocidad variable controlada **8**. Para encender la herramienta, presione el botón de fijación en apagado **9** y apriete el interruptor gatillo **8** (Fig. 1). La herramienta se apagará automáticamente en cuanto usted suelte el gatillo.

La velocidad de carrera de la hoja se puede ajustar desde su valor mínimo hasta su valor máximo (tal y como se establece en el dial de velocidad máxima) mediante la presión que usted aplique al gatillo. Aplique más presión para aumentar la velocidad y disminuya la presión para reducir la velocidad.

La velocidad de carrera requerida depende del material y de las condiciones de trabajo, y se puede determinar por medio de un ensayo práctico.

Se recomienda reducir la velocidad de carrera cuando la hoja de la sierra entre en el material, así como al aserrar plástico y aluminio.

### CIRCUITERÍA DE RESPUESTA CONSTANTE

El sistema de retroalimentación electrónica interna proporciona un "arranque suave", lo cual reducirá las tensiones que ocurren por causa de un arranque de alta fuerza de torsión. El sistema también mantiene la velocidad seleccionada bajo carga para brindar la máxima eficiencia.

### CONTROL DE LAS VIBRACIONES



Esta herramienta cuenta con un sistema de contrabalanceo muy eficaz para minimizar las vibraciones con el fin de brindar comodidad y control.

### LUZ DE TRABAJO LED INCORPORADA

Su herramienta está equipada con una luz de trabajo LED **12** que se enciende automáticamente al activar el interruptor gatillo. Al apagar la herramienta, la luz se apaga (Fig. 1).

### AJUSTE DE LA ACCIÓN ORBITAL

La acción orbital ajustable permite adaptar de manera óptima la velocidad de corte, la capacidad de corte y el patrón de corte al material que se esté cortando. Con el interruptor de acción orbital **6** usted puede ajustar el nivel de acción orbital (Fig. 1).

**Acción orbital desactivada (nivel 0):** Para cortar material delgado o duro, tal como chapa metálica o acero. Para lograr bordes de corte limpios.

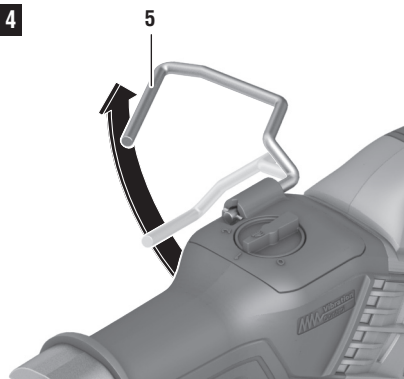
**Nivel 1 de acción orbital:** Para cortar metales no ferrosos, madera dura, plásticos o materiales de densidad intermedia.

**Nivel 2 de acción orbital:** Para cortar materiales blandos, p. ej., materiales de construcción blandos, material de aislamiento o madera blanda.

### GANCHO DE SIERRA

Su herramienta está equipada con un conveniente gancho de sierra para colgarla. Para utilizar el gancho **5**, simplemente levántelo hasta que se acople a presión en la posición abierta (Fig. 4).

FIG. 4



**⚠ ADVERTENCIA** Cuando utilice el gancho de sierra, tenga siempre presente que el accesorio está al descubierto. Cuelgue siempre la herramienta en un área en la que ni usted ni las personas que se encuentren presentes puedan entrar en contacto

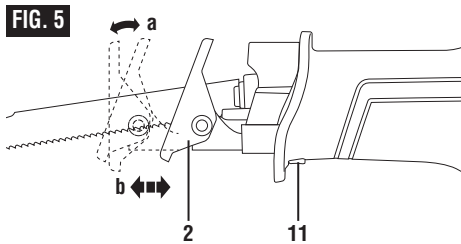


accidentalmente con el accesorio.

**Para reducir el riesgo de lesiones, tenga cuidado al seleccionar la ubicación para colgar la herramienta.**

- Seleccione un objeto de tamaño y forma adecuados, que proporcione una estabilidad de suspensión adecuada. Una superficie de suspensión inestable podría hacer que la herramienta se caiga inesperadamente.
- Asegúrese de que la herramienta esté colgada fuera del paso de pasarelas y áreas de trabajo en las que se encuentren presentes otras personas. La herramienta podría resultar golpeada o una persona que esté presente podría engancharse y causar una caída inesperada de la herramienta.

**ADVERTENCIA** Para reducir el riesgo de lesiones, no utilice el gancho de suspensión si parece estar dañado o deformado. Esto podría causar una suspensión inestable y que la herramienta se caiga inesperadamente.

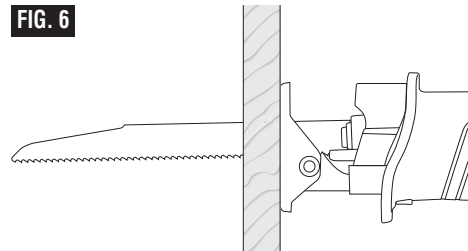


Cuando no se esté utilizando, cierre siempre el gancho hasta que se acople a presión en la posición cerrada.

#### AJUSTE DE LA PLACA-BASE

La placa-base **2** se inclina para mantener la mayor parte posible de su superficie en contacto con la superficie de trabajo (Fig. 5 [a]).

La placa-base **2** también se puede fijar en una de las tres posiciones de proyección para optimizar la vida útil de la hoja y/o reducir la protrusión de la hoja más allá del final de la placa-base, como por ejemplo al cortar en tubería de diámetro grande o en paredes. Para ajustar la posición de la placa-base, simplemente presione el botón de liberación de la placa base **11** y mueva la placa-base **2** hasta la posición deseada. El mecanismo de fijación está accionado por resorte para producir fijación en una de las 3 posiciones del ensamblaje de la placa-base. Si la placa-base está jalada tan hacia fuera que se muestra una muesca en el otro extremo del eje, el ensamblaje de la placa-base está extendido demasiado hacia fuera y debe ser retraído hasta una de las 3 posiciones (Fig. 5 [b]).



## Uso de la sierra

**ADVERTENCIA** No utilice la sierra sin tener la placa-base instalada y firmemente sujeta.

**ADVERTENCIA** No presione el botón de liberación de la placa-base mientras esté aserrando. Si lo hace, el resultado será que la placa-base se libere de los ajustes deseados y es posible que usted pierda el control y resulte lastimado.

**ADVERTENCIA** Para reducir el riesgo de lesiones, asegúrese de que la hoja se extienda más allá de la placa-base y atraviese completamente la pieza de trabajo durante toda la carrera. Es posible que las hojas se rompan en pedazos si golpean la placa-base o la pieza de trabajo en un ángulo que sea casi de frente (Fig. 6).

1. Fije la pieza de trabajo firmemente con abrazaderas.
2. Marque la línea de corte y agarre la herramienta con una mano en el mango y la otra mano ubicada en la funda de goma aislada que está sobre la carcasa delantera.

**ADVERTENCIA** Sujete siempre la sierra por la funda aislada

que está en la carcasa delantera. Si aserra en un área ciega en la que haya cables con corriente, puede sufrir descargas eléctricas o electrocutarse.

3. Mantenga la placa-base de la sierra firmemente contra la pieza de trabajo para minimizar la contrafuerza (salto) y la vibración.
4. Apriete el gatillo para arrancar la herramienta. Deje que la sierra alcance toda su velocidad antes de comenzar el corte. Guíe la sierra de manera que la hoja se mueva a lo largo de la línea marcada.

#### CONSEJOS PARA ASERRAR

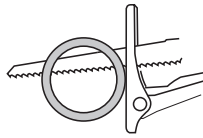
A continuación se dan unos sencillos consejos que reducirán el desgaste de la pieza de trabajo y la herramienta, y harán que el operador se cansé menos.

1. Las hojas cortan en la carrera de retorno o regreso. En piezas de trabajo finas, como paneles, fibra de vidrio, etc., coloque el lado bueno de la pieza de trabajo orientado hacia abajo.
2. Utilice la hoja de sierra correcta para el material que se esté cortando y tenga a mano hojas adicionales para utilizarlas cuando las otras hojas se desafilan. Reemplaze inmediatamente las hojas agrietadas o dobladas.
3. Seleccione la velocidad de corte apropiada.

4. Para reducir el riesgo de lesiones, asegúrese de que la hoja se extienda siempre más allá de la placa-base y la pieza de trabajo a lo largo de toda la carrera. Las hojas pueden hacerse pedazos si su parte delantera golpea la pieza de trabajo y/o la placa-base.



INCORRECTO



CORRECTO

5. Al cortar metal:
- Aplique un lubricante para realizar cortes más fáciles, suaves y rápidos, así como para prolongar la duración de la hoja.
  - Para metales no ferrosos, aluminio, bronce o latón, utilice una barra de cera en la hoja.
  - Para metales ferrosos, hierro y acero, utilice un aceite para maquinaria o de corte a lo largo de la superficie que se vaya a cortar.
6. Cuando corte metal delgado, ponga el material entre dos pedazos de madera de desecho. Fijelo con abrazaderas o póngalo en un tornillo de carpintero de banco. Puede utilizarse una pieza de madera en la parte superior del metal con sujeción adecuada con abrazaderas. Coloque las líneas de corte o el diseño de corte sobre la madera.
7. No fuerce el corte. Deje que la sierra y la hoja hagan el trabajo.

#### CORTES DE BOLSILLO/POR INMERSIÓN

La sierra alternativa se puede usar para hacer cortes por inmersión en material más blando (por ejemplo, madera o materiales de construcción ligeros para paredes) sin un agujero de inicio (Fig. 7).

1. Marque claramente la línea que se vaya a cortar en la pieza de trabajo.
2. Coloque la herramienta con un borde de la placa-

base firmemente contra el material.

3. Coloque la punta de la hoja (sin que la herramienta esté en marcha) sobre la línea que se vaya a cortar.
4. Incline la sierra de manera que la hoja no toque la pieza de trabajo.
5. Apriete el interruptor gatillo e introduzca cuidadosamente en el material la hoja de la sierra en movimiento.
6. Después de que la hoja penetre a través de la pieza de trabajo, continúe aserrando a lo largo del perfil marcado.

#### Notas:

Pour faciliter les coupes en plongée, utilisez une lame épaisse, installez la lame avec les dents orientées vers le haut et tenez la scie sens dessus dessous comme illustré (Fig. 8).

Ne réalisez pas de coupe en plongée dans des surfaces en métal.

Il ne faut pas tenter de réaliser des coupes en plongée dans les matériaux épais et dans les matériaux durs, comme le métal. De tels matériaux ne peuvent être coupés avec la scie alternative qu'en commençant la coupe depuis le bord du matériau ou à partir d'un trou percé à travers toute la surface du matériau qui serait assez grand pour permettre d'y engager complètement la lame de la scie. Pour faciliter les opérations de coupe par immersion, utilisez une lame de calibre pesado, installez la lame avec les dents orientés vers le haut et soutenez la sierra en position inversée de la manière que se muestra en la ilustración (Fig. 8).

No corte por inmersión en superficies metálicas.

En materiales gruesos y en materiales más duros, tales como metal, no se deberá intentar realizar cortes por inmersión. Dichos materiales se pueden cortar con la sierra alternativa sólo comenzando el corte desde el borde del material o desde un agujero taladrado de manera que atraviese completamente el material y que sea lo suficientemente grande para que quepa en él la hoja de la sierra.

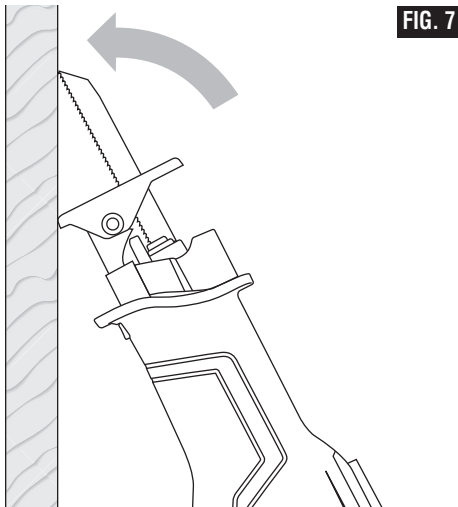


FIG. 7

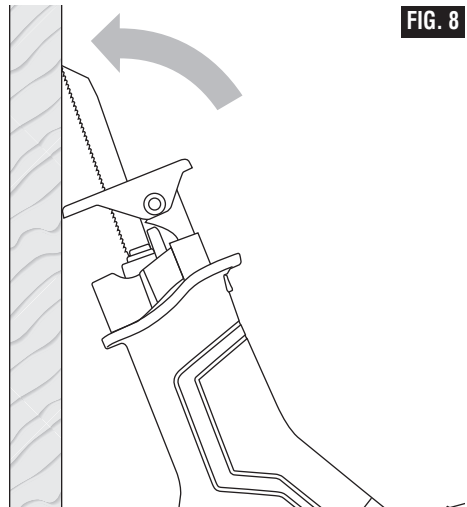


FIG. 8

## Mantenimiento

### Servicio

**⚠ ADVERTENCIA** **NO HAY PIEZAS EN EL INTERIOR QUE PUEDAN SER AJUSTADAS O REPARADAS POR EL USUARIO.** El mantenimiento preventivo realizado por personal no autorizado puede dar lugar a la colocación incorrecta de cables y componentes internos que podría constituir un peligro serio. Recomendamos que todo el servicio de las herramientas sea realizado en un Centro de servicio de fábrica Bosch o en una Estación de servicio Bosch autorizada. **TECNICOS DE REPARACIONES:** Desconecten la herramienta y/o el cargador de la fuente de energía antes de realizar servicio de ajustes y reparaciones.

### BATERÍAS

**Esté alerta a los paquetes de baterías que estén aproximándose al final de su vida útil.** Si observa una disminución del rendimiento de la herramienta o un tiempo de funcionamiento significativamente más corto entre cargas, entonces ha llegado el momento de cambiar el paquete de baterías. Si no se hace esto, el resultado puede ser que la herramienta funcione incorrectamente o que el cargador se dañe.

### LUBRICACION DE LAS HERRAMIENTAS

Su herramienta Bosch ha sido lubricada adecuadamente y está lista para la utilización.

### MOTORES “CORRIENTE DIRECTA”

El motor de la herramienta ha sido diseñado para muchas horas de servicio fiable. Para mantener un rendimiento óptimo del motor, recomendamos que éste sea examinado cada seis meses. Sólo se debe usar un motor de repuesto Bosch genuino diseñado especialmente para la herramienta.

### Limpieza

**⚠ ADVERTENCIA** **Para evitar accidentes, desconecte siempre la herramienta y/o el cargador de la fuente de energía antes de la limpieza.** La herramienta se puede limpiar más eficazmente con aire comprimido seco. **Use gafas de seguridad siempre que limpie herramientas con aire comprimido.**

Las aberturas de ventilación y las palancas de interruptor deben mantenerse limpias y libres de materias extrañas. No intente limpiar introduciendo objetos puntiagudos a través de las aberturas.

**⚠ PRECAUCION** **Ciertos agentes de limpieza y disolventes dañan las piezas de plástico.** Algunos de estos son: gasolina, tetracloruro de carbono, disolventes de limpieza clorados, amoníaco y detergentes domésticos que contienen amoníaco.

## Accesorios

**⚠ ADVERTENCIA** El uso de cualquier accesorio no especificado en este manual podrá crear un peligro.

Equipo estándar	Accesorios opcionales
- Hojas de sierra alternativa	- Bolsa de transporte; - Maletín de transporte

**LIMITED WARRANTY OF BOSCH PORTABLE AND BENCHTOP POWER TOOLS**

Robert Bosch Tool Corporation ("Seller") warrants to the original purchaser only, that all BOSCH portable and benchtop power tools will be free from defects in material or workmanship for a period of one year from date of purchase. SELLER'S SOLE OBLIGATION AND YOUR EXCLUSIVE REMEDY under this Limited Warranty and, to the extent permitted by law, any warranty or condition implied by law, shall be the repair or replacement of parts, without charge, which are defective in material or workmanship and which have not been misused, carelessly handled, or misrepaired by persons other than Seller or Authorized Service Station. To make a claim under this Limited Warranty, you must return the complete portable or benchtop power tool product, transportation prepaid, to any BOSCH Factory Service Center or Authorized Service Station. For Authorized BOSCH Power Tool Service Stations, please refer to your phone directory.

THIS LIMITED WARRANTY DOES NOT APPLY TO ACCESSORY ITEMS SUCH AS CIRCULAR SAW BLADES, DRILL BITS, ROUTER BITS, JIGSAW BLADES, SANDING BELTS, GRINDING WHEELS AND OTHER RELATED ITEMS.

ANY IMPLIED WARRANTIES SHALL BE LIMITED IN DURATION TO ONE YEAR FROM DATE OF PURCHASE. SOME STATES IN THE U.S., SOME CANADIAN PROVINCES DO NOT ALLOW LIMITATIONS ON HOW LONG AN IMPLIED WARRANTY LASTS, SO THE ABOVE LIMITATION MAY NOT APPLY TO YOU.

IN NO EVENT SHALL SELLER BE LIABLE FOR ANY INCIDENTAL OR CONSEQUENTIAL DAMAGES (INCLUDING BUT NOT LIMITED TO LIABILITY FOR LOSS OF PROFITS) ARISING FROM THE SALE OR USE OF THIS PRODUCT. SOME STATES IN THE U.S. AND SOME CANADIAN PROVINCES DO NOT ALLOW THE EXCLUSION OR LIMITATION OF INCIDENTAL OR CONSEQUENTIAL DAMAGES, SO THE ABOVE LIMITATION OR EXCLUSION MAY NOT APPLY TO YOU.

THIS LIMITED WARRANTY GIVES YOU SPECIFIC LEGAL RIGHTS, AND YOU MAY ALSO HAVE OTHER RIGHTS WHICH VARY FROM STATE TO STATE IN THE U.S., PROVINCE TO PROVINCE IN CANADA AND FROM COUNTRY TO COUNTRY.

THIS LIMITED WARRANTY APPLIES ONLY TO PORTABLE AND BENCHTOP ELECTRIC TOOLS SOLD WITHIN THE UNITED STATES OF AMERICA, CANADA AND THE COMMONWEALTH OF PUERTO RICO. FOR WARRANTY COVERAGE WITHIN OTHER COUNTRIES, CONTACT YOUR LOCAL BOSCH DEALER OR IMPORTER.

**GARANTIE LIMITÉE DES OUTILS ÉLECTRIQUES PORTATIFS ET D'ÉTABLI BOSCH**

Robert Bosch Tool Corporation (le « vendeur ») garantit à l'acheteur initial seulement que tous les outils électriques portatifs et d'établi BOSCH seront exempts de vices de matériaux ou d'exécution pendant une période d'un an depuis la date d'achat. LA SEULE OBLIGATION DU VENDEUR ET LE SEUL RECOURS DE L'ACHETEUR sous la présente garantie limitée, et en autant que la loi le permette sous toute garantie ou condition implicite qui en découlerait, sera l'obligation de remplacer ou réparer gratuitement les pièces défectueuses matériellement ou comme fabrication, pourvu que lesdites déficiences ne soient pas attribuables à un usage abusif ou à quelque réparation bricolée par quelqu'un d'autre que le vendeur ou le personnel d'une station-service agréée. Pour présenter une réclamation en vertu de cette garantie limitée, vous devez renvoyer l'outil électrique portatif ou d'établi complet, port payé, à tout centre de service agréé ou centre de service usine. Veuillez consulter votre annuaire téléphonique pour les adresses.

LA PRÉSENTE GARANTIE NE S'APPLIQUE PAS AUX ACCESSOIRES TELS QUE LAMES DE SCIES CIRCULAIRES, MÊCHES DE PERCEUSES, FERS DE TOUPIES, LAMES DE SCIES SAUTEUSES, COURROIES DE PÔNÇAGE, MEULES ET AUTRES ARTICLES DU GENRE.

TOUTE GARANTIE IMPLICITE SERA LIMITÉE COMME DURÉE À UN AN À COMPTER DE LA DATE D'ACHAT. CERTAINS ÉTATS AMÉRICAINS, CERTAINES PROVINCES CANADIENNES N'ADMETTANT PAS LE PRINCIPE DE LA LIMITATION DE LA DURÉE DES GARANTIES IMPLICITES, IL EST POSSIBLE QUE LES LIMITATIONS CI-DESSUS NE S'APPLIQUENT PAS À VOTRE CAS.

EN AUCUN CAS LE VENDEUR NE SAURAIT ÊTRE TENU POUR RESPONSABLE DES INCIDENTS OU DOMMAGES INDIRECTS (INCLUANT, MAIS NE SE LIMITANT PAS AUX PERTES DE PROFITS) CONSÉCUTIFS À LA VENTE OU L'USAGE DE CE PRODUIT. CERTAINS ÉTATS AMÉRICAINS ET CERTAINES PROVINCES CANADIENNES N'ADMETTANT PAS LE PRINCIPE DE LA LIMITATION NI L'EXCLUSION DES DOMMAGES INDIRECTS ET CONSÉQUENTIELS, IL EST POSSIBLE QUE LES LIMITATIONS OU EXCLUSIONS CI-DESSUS NE S'APPLIQUENT PAS À VOTRE CAS.

LA PRÉSENTE GARANTIE VOUS ACCORDE DES DROITS BIEN DÉTERMINÉS, Y COMPRIS POSSIBLEMENT CERTAINS DROITS VARIABLES DANS LES DIFFÉRENTS ÉTATS AMÉRICAINS, PROVINCES CANADIENNE ET DE PAYS À PAYS.

CETTE GARANTIE LIMITÉE NE S'APPLIQUE QU'À VOS OUTILS ÉLECTRIQUES PORTATIFS ET D'ÉTABLI VENDUS AUX ÉTATS-UNIS D'AMÉRIQUE, AU CANADA ET AU COMMONWEALTH DE PORTO RICO. POUR COUVERTURE DE GARANTIE DANS LES AUTRES PAYS, CONTACTEZ VOTRE IMPORTATEUR OU REVENDEUR BOSCH LOCAL.

**GARANTIA LIMITADA PARA HERRAMIENTAS MECANICAS PORTATILES Y PARA TABLERO DE BANCO BOSCH**

Robert Bosch Tool Corporation ("el Vendedor") garantiza, únicamente al comprador original, que todas las herramientas mecánicas portátiles y para tablero de banco BOSCH estarán libres de defectos de material o de fabricación durante un periodo de un año a partir de la fecha de compra. LA ÚNICA OBLIGACION DEL VENDEADOR Y EL RECURSO EXCLUSIVO QUE USTED TIENE bajo esta Garantía Limitada y, hasta donde la ley lo permita, bajo cualquier garantía o condición implícita por ley, consistirá en la reparación o sustitución sin costo de las piezas que presenten defectos de material o de fabricación y que no hayan sido utilizadas incorrectamente, manejadas descuidadamente o reparadas incorrectamente por personas que no sean el Vendedor o una Estación de servicio autorizada. Para efectuar una reclamación bajo esta Garantía Limitada, usted debe devolver el producto, que consiste en la herramienta mecánica portátil o para tablero de banco completa, con el transporte pagado, a cualquier Centro de servicio de fábrica o Estación de servicio autorizada. Para Estaciones de servicio autorizadas de herramientas mecánicas BOSCH, por favor, consulte el directorio telefónico.

ESTA GARANTIA LIMITADA NO SE APLICA A ARTICULOS ACCESORIOS TALES COMO HOJAS PARA SIERRAS CIRCULARES, BROCAS PARA TALADROS, BROCAS PARA FRESADORAS, HOJAS PARA SIERRAS DE VAIVEN, CORREAS PARA LIJAR, RUEDAS DE AMOLAR Y OTROS ARTICULOS RELACIONADOS.

TODAS LAS GARANTIAS IMPLICITAS TENDRAN UNA DURACION LIMITADA A UN AÑO A PARTIR DE LA FECHA DE COMPRA. ALGUNOS ESTADOS DE LOS EE.UU. Y ALGUNAS PROVINCIAS CANADIENSES NO PERMITEN LIMITACIONES EN CUANTO A LA DURACION DE UNA GARANTIA IMPLICITA, POR LO QUE ES POSIBLE QUE LA LIMITACION ANTERIOR NO SEA APLICABLE EN EL CASO DE USTED.

EL VENDEADOR NO SERA RESPONSABLE EN NINGUN CASO DE NINGUN DAÑO INCIDENTAL O EMERGENTE (INCLUYENDO PERO NO LIMITADO A RESPONSABILIDAD POR PERDIDA DE BENEFICIOS) QUE SE PRODUZCA COMO CONSECUENCIA DE LA VENTA O UTILIZACION DE ESTE PRODUCTO. ALGUNOS ESTADOS DE LOS EE.UU. Y ALGUNAS PROVINCIAS CANADIENSES NO PERMITEN LA EXCLUSION O LIMITACION DE LOS DAÑOS INCIDENTALES O EMERGENTES, POR LO QUE ES POSIBLE QUE LA LIMITACION O EXCLUSION ANTERIOR NO SEA APLICABLE EN EL CASO DE USTED.

ESTA GARANTIA LIMITADA LE CONFIERE A USTED DERECHOS LEGALES ESPECIFICOS Y ES POSIBLE QUE USTED TAMBIEN TENGA OTROS DERECHOS QUE VARIAN DE ESTADO A ESTADO EN LOS EE.UU., DE PROVINCIA A PROVINCIA EN CANADA Y DE UN PAIS A OTRO.

ESTA GARANTIA LIMITADA SE APLICA SOLAMENTE A HERRAMIENTAS ELECTRICAS PORTATILES Y PARA TABLERO DE BANCO VENDIDAS EN LOS ESTADOS UNIDOS DE AMERICA, CANADA Y EL ESTADO LIBRE ASOCIADO DE PUERTO RICO. PARA COBERTURA DE GARANTIA EN OTROS PAISES, PONGASE EN CONTACTO CON SU DISTRIBUIDOR O IMPORTADOR LOCAL DE BOSCH.

© Robert Bosch Tool Corporation 1800 W. Central Road Mt. Prospect, IL 60056-2230

Exportado por: Robert Bosch Tool Corporation Mt. Prospect, IL 60056-2230, E.U.A.

Importado en México por: Robert Bosch, S.A. de C.V., Calle

Robert Bosch No. 405, Zona Industrial, Toluca, Edo. de

México, C.P. 50070, Tel. (722) 2792300



1 6 0 7 0 0 0 C E 4

1607000CE4 04/17