

IMPORTANT
Read Before Using

IMPORTANT
Lire avant usage

IMPORTANTE
Leer antes de usar



Operating / Safety Instructions
Consignes d'utilisation / de sécurité
Instrucciones de funcionamiento y seguridad

GBH18V-24C



BOSCH

Call Toll Free for Consumer Information & Service Locations

Pour obtenir des informations et les adresses de nos centres de service après-vente, appelez ce numéro gratuit

Llame gratis para obtener información para el consumidor y ubicaciones de servicio

1-877-BOSCH99 (1-877-267-2499) www.boschtools.com

For English Version
See page 2

Version française
Voir page 22

Versión en español
Ver la página 43



Safety Symbols

The definitions below describe the level of severity for each signal word. Please read the manual and pay attention to these symbols.

	This is the safety alert symbol. It is used to alert you to potential personal injury hazards. Obey all safety messages that follow this symbol to avoid possible injury or death.
	DANGER indicates a hazardous situation which, if not avoided, will result in death or serious injury.
	WARNING indicates a hazardous situation which, if not avoided, could result in death or serious injury.
	CAUTION indicates a hazardous situation which, if not avoided, could result in minor or moderate injury.

General Power Tool Safety Warnings

WARNING Read all safety warnings, instructions, illustrations and specifications provided with this power tool. Failure to follow all instructions listed below may result in electric shock, fire and/or serious injury.

SAVE ALL WARNINGS AND INSTRUCTIONS FOR FUTURE REFERENCE

The term “power tool” in the warnings refers to your mains-operated (corded) power tool or battery-operated (cordless) power tool.

1. Work area safety

- Keep work area clean and well lit.** Cluttered or dark areas invite accidents.
- Do not operate power tools in explosive atmospheres, such as in the presence of flammable liquids, gases or dust.** Power tools create sparks which may ignite the dust or fumes.
- Keep children and bystanders away while operating a power tool.** Distractions can cause you to lose control.

2. Electrical safety

- Power tool plugs must match the outlet.** Never modify the plug in any way. Do not use any adapter plugs with earthed (grounded) power tools. Unmodified plugs and matching outlets will reduce risk of electric shock.
- Avoid body contact with earthed or grounded surfaces, such as pipes, radiators, ranges and refrigerators.** There is an increased risk of electric shock if your body is earthed or grounded.
- Do not expose power tools to rain or wet conditions.** Water entering a power tool will increase the risk of electric shock.

- Do not abuse the cord.** Never use the cord for carrying, pulling or unplugging the power tool. Keep cord away from heat, oil, sharp edges or moving parts. Damaged or entangled cords increase the risk of electric shock.
- When operating a power tool outdoors, use an extension cord suitable for outdoor use.** Use of a cord suitable for outdoor use reduces the risk of electric shock.
- If operating a power tool in a damp location is unavoidable, use a Ground Fault Circuit Interrupter (GFCI) protected supply.** Use of an GFCI reduces the risk of electric shock.

3. Personal safety

- Stay alert, watch what you are doing and use common sense when operating a power tool.** Do not use a power tool while you are tired or under the influence of drugs, alcohol or medication. A moment of inattention while operating power tools may result in serious personal injury.
- Use personal protective equipment.** Always wear eye protection. Protective equipment such as a dust mask, non-skid safety shoes, hard hat, or hearing protection used for appropriate conditions will reduce personal injuries.



General Power Tool Safety Warnings

- c. **Prevent unintentional starting.** Ensure the switch is in the off-position before connecting to power source and / or battery pack, picking up or carrying the tool. Carrying power tools with your finger on the switch or energizing power tools that have the switch on invites accidents.
- d. **Remove any adjusting key or wrench before turning the power tool on.** A wrench or a key left attached to a rotating part of the power tool may result in personal injury.
- e. **Do not overreach.** Keep proper footing and balance at all times. This enables better control of the power tool in unexpected situations.
- f. **Dress properly.** Do not wear loose clothing or jewelry. Keep your hair and clothing away from moving parts. Loose clothes, jewelry or long hair can be caught in moving parts.
- g. **If devices are provided for the connection of dust extraction and collection facilities, ensure these are connected and properly used.** Use of dust collection can reduce dust-related hazards.
- h. **Do not let familiarity gained from frequent use of tools allow you to become complacent and ignore tool safety principles.** A careless action can cause severe injury within a fraction of a second.
- e. **Maintain power tools and accessories.** Check for misalignment or binding of moving parts, breakage of parts and any other condition that may affect the power tool's operation. If damaged, have the power tool repaired before use. Many accidents are caused by poorly maintained power tools.
- f. **Keep cutting tools sharp and clean.** Properly maintained cutting tools with sharp cutting edges are less likely to bind and are easier to control.
- g. **Use the power tool, accessories and tool bits etc.** in accordance with these instructions, taking into account the working conditions and the work to be performed. Use of the power tool for operations different from those intended could result in a hazardous situation.
- h. **Keep handles and grasping surfaces dry, clean and free from oil and grease.** Slippery handles and grasping surfaces do not allow for safe handling and control of the tool in unexpected situations.

4. Power tool use and care

- a. **Do not force the power tool.** Use the correct power tool for your application. The correct power tool will do the job better and safer at the rate for which it was designed.
- b. **Do not use the power tool if the switch does not turn it on and off.** Any power tool that cannot be controlled with the switch is dangerous and must be repaired.
- c. **Disconnect the plug from the power source and/or remove the battery pack, if detachable, from the power tool before making any adjustments, changing accessories, or storing power tools.** Such preventive safety measures reduce the risk of starting the power tool accidentally.
- d. **Store idle power tools out of the reach of children and do not allow persons unfamiliar with the power tool or these instructions to operate the power tool.** Power tools are dangerous in the hands of untrained users.
- a. **Recharge only with the charger specified by the manufacturer.** A charger that is suitable for one type of battery pack may create a risk of fire when used with another battery pack.
- b. **Use power tools only with specifically designated battery packs.** Use of any other battery packs may create a risk of injury and fire.
- c. **When battery pack is not in use, keep it away from other metal objects like paper clips, coins, keys, nails, screws, or other small metal objects that can make a connection from one terminal to another.** Shorting the battery terminals together may cause burns or a fire.
- d. **Under abusive conditions, liquid may be ejected from the battery; avoid contact.** If contact accidentally occurs, flush with water. If liquid contacts eyes, additionally seek medical help. Liquid ejected from the battery may cause irritation or burns.
- e. **Do not use a battery pack or tool that is damaged or modified.** Damaged or modified batteries may exhibit unpredictable behaviour resulting in fire, explosion or risk of injury.
- f. **Do not expose a battery pack or tool to fire or excessive temperature.** Exposure to fire or

General Power Tool Safety Warnings

temperature above 265 °F may cause explosion.

- g. **Follow all charging instructions and do not charge the battery pack or tool outside the temperature range specified in the instructions.** Charging improperly or at temperatures outside the specified range may damage the battery and increase the risk of fire.

6. Service

- a. **Have your power tool serviced by a qualified repair person using only identical replacement parts.** This will ensure that the safety of the power tool is maintained.
- b. **Never service damaged battery packs.** Service of battery packs should only be performed by the manufacturer or authorized service providers.

Safety Rules for Cordless Hammer Drills

Wear ear protectors. Exposure to noise can cause hearing loss.

Use auxiliary handle(s), if supplied with the tool. Loss of control can cause personal injury.

Hold power tool by insulated gripping surfaces, when performing an operation where the cutting accessory may contact hidden wiring. Cutting accessory contacting a “live” wire may make exposed metal parts of the power tool “live” and could give the operator an electric shock.

Use clamps or another practical way to secure and support the workpiece to a stable platform. Holding the work by hand or against your body leaves it unstable and may lead to loss of control.

Do not drill, fasten or break into existing walls or other blind areas where electrical wiring may exist. If this situation is unavoidable, disconnect all fuses or circuit breakers feeding this worksite.

Always wear safety goggles or eye protection when using this tool. Use a dust mask or respirator for applications which generate dust.

Use a metal detector to determine if there are gas or water pipes hidden in the work area or call the local utility company for assistance before beginning the operation. Striking or cutting into a gas line will result in explosion. Water entering an electrical device may cause electrocution.

Always use the side handle for maximum control over torque reaction or kick-back. Never attempt to operate this tool with one hand. The slip clutch engages if you firmly control the tool during a torque reaction or kickback.

Use thick cushioned gloves and limit the exposure time by taking frequent rest periods. Vibration caused by hammer-drill action may be harmful to your hands and arms.

Secure the material being drilled. Never hold it in your hand or across legs. Unstable support can cause the drill bit to bind causing loss of control and injury.

Disconnect battery pack from tool before making any assembly, adjustments or changing accessories. Such preventive safety measures reduce the risk of starting the tool accidentally.

Position yourself to avoid being caught between the tool or side handle and walls or posts. Should the bit become bound or jammed in the work, the reaction torque of the tool could crush your hand or leg.

If the bit becomes bound in the workpiece, release the trigger immediately, reverse the direction of rotation and slowly squeeze the trigger to back out the bit. Be ready for a strong reaction torque. The drill body will tend to twist in the opposite direction as the drill bit is rotating.

Do not strike the bit with a handheld hammer or sledgehammer when attempting to dislodge a bound or jammed bit. Fragments of metal from the bit could dislodge and strike you or bystanders.

Never place the tool down until the bit or accessory has come to a complete stop.

Do not grasp the tool or place your hands too close to the spinning chuck or drill bit. Your hand may be lacerated.

Safety Rules for Cordless Hammer Drills

When installing a drill bit, insert the shank of the bit well within the jaws of the chuck. If the bit is not inserted deep enough, the grip of the jaws over the bit is reduced and the loss of control is increased.

Do not use dull or damaged bits and accessories. Dull or damaged bits have a greater tendency to bind in the workpiece.

When removing the bit from the tool avoid contact with skin and use proper protective gloves when grasping the bit or accessory. Accessories may be hot after prolonged use.

Check to see that keys and adjusting wrenches are removed from the drill before switching the tool "ON". Keys or wrenches can fly away at high velocity striking you or a bystander.

Do not run the tool while carrying it at your side. A spinning drill bit could become entangled with clothing and injury may result.

If devices are provided for the connection of dust collection and extraction systems, empty the dust container before beginning work, frequently during work, after completion of work, and before storing the tool. Be extremely careful of dust disposal, materials in fine particles form may be explosive.

Do not throw dust on an open fire. Combustion from mixture of varnishes, lacquers, polyurethane, oil or water with dust particles can occur if there is a static discharge, electric spark, or excessive heat.

Do not use dust extraction for operations where dust may include burning, smoking or smoldering items like hot ashes or sparks. Fire inside the vacuum tank or bag may occur. Dust may smolder and set vacuum on fire long after work is completed.

Do not use dust extraction with explosive dusts, varnish, polyurethane coatings, cleaners, or oil-based paints. Electric motors create sparks which may ignite the dust or fumes.

Do not use dust extraction when working on metal. Swarf from drilling metal may be hot and may spark which may melt plastic adaptors, vacuum hoses and may cause a fire inside the vacuum tank or bag.

Do not drill into metal with the dust extraction system mounted. Hot metal chips can self-ignite or ignite parts of the dust extraction system.

Do not drill into wood with dust extraction system mounted. Wood chips are typically too large and will clog the dust channel.

Your tool is equipped with a dust canister, empty it frequently, after completion of drilling and before storing the tool. Be extremely careful of dust disposal, materials in fine particle form may be explosive.

Note: Do not use the dust extraction system when chiselling, screwdriving or cutting threads.

Safety instructions when using long drill bits with rotary hammers

- a. **Always start drilling at low speed and with the bit tip in contact with the workpiece.** At higher speeds, the bit is likely to bend if allowed to rotate freely without contacting the workpiece, resulting in personal injury.
- b. **Apply pressure only in direct line with the bit and do not apply excessive pressure.** Bits can bend causing breakage or loss of control, resulting in personal injury.
- c. **Never operate at higher speed than the maximum speed rating of the drill bit.** At higher speeds, the bit is likely to bend if allowed to rotate freely without contacting the workpiece, resulting in personal injury.

Additional Safety Warnings

GFCI and personal protection devices like electrician's rubber gloves and footwear will further enhance your personal safety.

Do not use AC only rated tools with a DC power supply. While the tool may appear to work, the electrical components of the AC rated tool are likely to fail and create a hazard to the operator.

Keep handles dry, clean and free from oil and grease. Slippery hands cannot safely control the power tool.

Develop a periodic maintenance schedule for your tool. When cleaning a tool be careful not to disassemble any portion of the tool since internal wires may be misplaced or pinched or safety guard return springs may be improperly mounted. Certain cleaning agents such as gasoline, carbon tetrachloride, ammonia, etc. may damage plastic parts.

Ensure the switch is in the off position before inserting battery pack. Inserting the battery pack into power tools that have the switch on invites accidents.







⚠ WARNING Some dust created by power sanding, sawing, grinding, drilling, and other construction activities contains chemicals known to cause cancer, birth defects or other reproductive harm. Some examples of these chemicals are:

- Lead from lead-based paints,
- Crystalline silica from bricks and cement and other masonry products, and
- Arsenic and chromium from chemically-treated lumber.

Your risk from these exposures varies, depending on how often you do this type of work. To reduce your exposure to these chemicals: work in a well ventilated area, and work with approved safety equipment, such as those dust masks that are specially designed to filter out microscopic particles.











Symbols

Important: Some of the following symbols may be used on your tool. Please study them and learn their meaning. Proper interpretation of these symbols will allow you to operate the tool better and safer.

Symbol	Designation/Explanation
V	Volts (voltage)
A	Amperes (current)
Hz	Hertz (frequency, cycles per second)
W	Watt (power)
kg	Kilograms (weight)
min	Minutes (time)
s	Seconds (time)
∅	Diameter (size of drill bits, grinding wheels, etc.)
n_0	No load speed (rotational speed, at no load)
n	Rated speed (Maximum attainable speed)
.../min	Revolutions or reciprocation per minute (revolutions, strokes, surface speed, orbits etc. per minute)
0	Off position (zero speed, zero torque...)
1, 2, 3, ... I, II, III,	Selector settings (speed, torque or position settings. Higher number means greater speed)
	Infinitely variable selector with off (speed is increasing from 0 setting)
	Arrow (action in the direction of arrow)
~	Type or a characteristic of current
≡	Type or a characteristic of current
	Type or a characteristic of current
	Designates Double Insulated Construction tools
	Grounding terminal
	Alerts user to warning messages

Symbols

Important: Some of the following symbols may be used on your tool. Please study them and learn their meaning. Proper interpretation of these symbols will allow you to operate the tool better and safer.

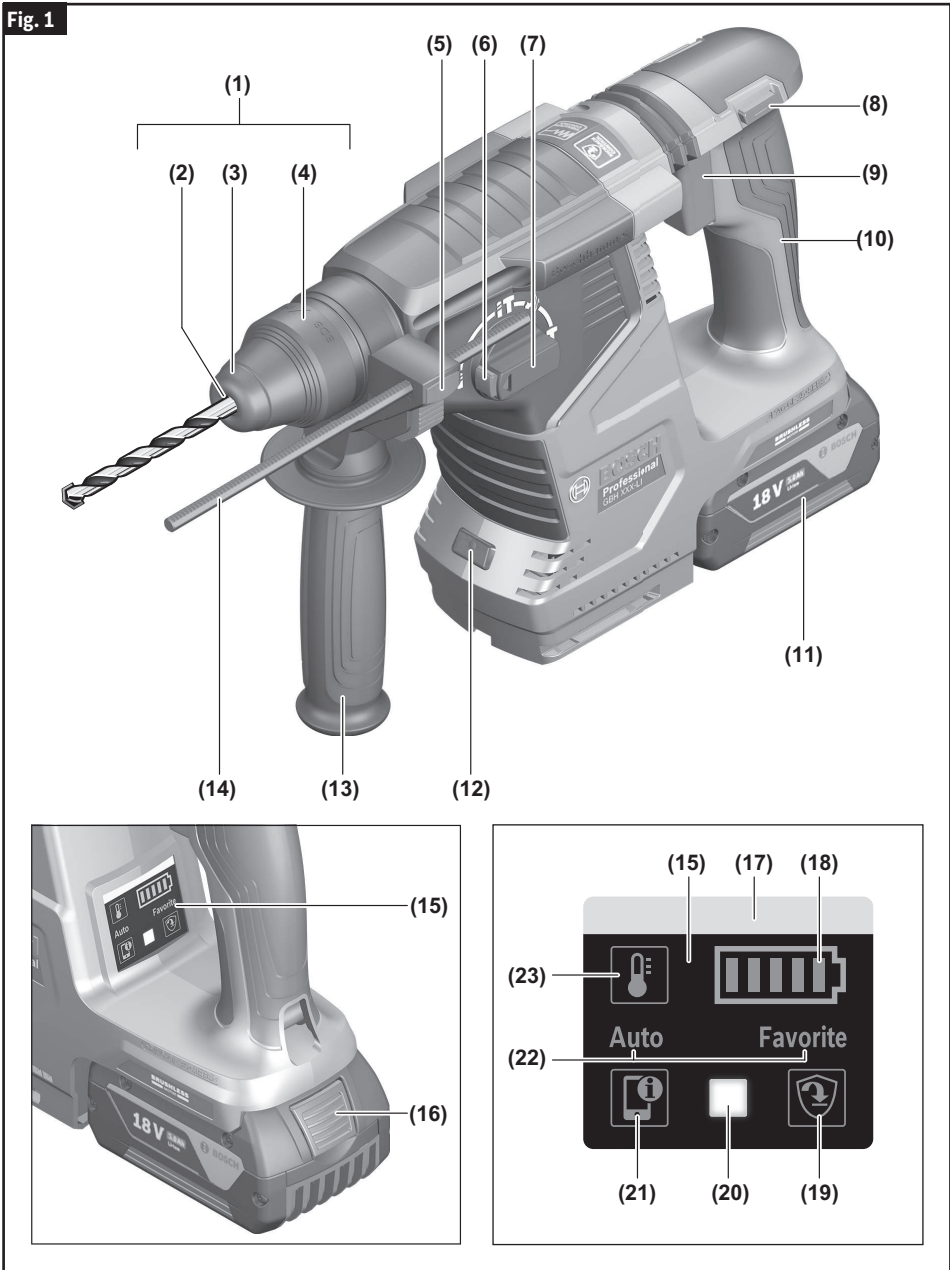
Symbol	Designation/Explanation
	Alerts user to read manual.
	Alerts user to wear eye protection.
	Alerts user to wear respiratory protection.
	Alerts user to wear hearing protection.
	Alerts user to wear eye, respiratory, and hearing protection.
	This symbol designates that this tool is listed by Underwriters Laboratories, to United States and Canadian Standards.
	This symbol designates that this tool is listed by the Canadian Standards Association.
	This symbol designates that this tool is listed by the Canadian Standards Association, to United States and Canadian Standards.
	This symbol designates that this tool is listed by the Intertek Testing Services, to United States and Canadian Standards.
	Designates Li-ion battery recycling program.

Functional Description and Specifications

⚠ WARNING Disconnect battery pack from tool or place the switch in the locked or off position before making any assembly, adjustments or changing accessories. Such preventive safety measures reduce the risk of starting the tool accidentally.

Bosch GBH18V-24C Cordless Hammer Drill

Fig. 1



Functional Description and Specifications

- | | |
|---|--|
| <ul style="list-style-type: none"> 1 SDS plus drill chuck 2 SDS plus tool holder 3 Dust protection cap 4 Locking sleeve 5 Button for depth stop adjustment 6 Release button for impact/mode selector switch 7 Impact/mode selector switch 8 Rotational direction switch 9 On/off switch 10 Handle (insulated gripping surface) 11 Rechargeable battery 12 Worklight 13 Auxiliary handle (insulated gripping surface) | <ul style="list-style-type: none"> 14 Depth stop 15 User interface 16 Battery release button <p>User Interface</p> <ul style="list-style-type: none"> 17 Power tool status indicator 18 Battery charge indicator 19 Kickback control indicator 20 Button to select the working mode 21 Smartphone indicator 22 Working mode indicator 23 Temperature indicator 24 Universal holder with SDS plus shank |
|---|--|

Model Number	GBH18V-24C
Voltage rating	18 V
Shank style	SDS-plus®
Maximum Drilling Diameter in: Concrete Steel	1" (26mm) 1/2" (13mm)
Permitted battery temperature during charging	+32...+113°F (0...+45C)
Permitted ambient temperature during operation and storage	-4...+122°F (-20...+50C)
Recommended ambient temperature during charging	+32...+95°F (0...+35°C)

Battery Packs / Chargers:

Please refer to the battery/charger list, included with your tool.

NOTE: For tool specifications refer to the nameplate on your tool.

Assembly

⚠ WARNING Disconnect battery pack from tool or place the switch in the locked or off position before making any assembly, adjustments or changing accessories. Such preventive safety measures reduce the risk of starting the tool accidentally.

Installing SDS-plus® Accessories

Clean the insert shank end of the accessory to remove any debris, then lightly grease with a light oil or lubricant.

Insert accessory into the chuck through the dust shield, while twisting and pushing inward until it locks automatically into place. Pull outward on the accessory to be certain it is locked into the chuck (Fig. 2).

Note: The high efficiency available from the rotary hammers can only be obtained if sharp and undamaged accessories are used. The “cost” to maintain sharp and undamaged accessories is more than offset by the “time saved” in operating the tool with sharp accessories.

Removing SDS-plus® Accessories

⚠ WARNING Accessories may be hot after use. Avoid contact with skin and use proper protective gloves or cloth to remove.

To remove an accessory, pull locking sleeve (4) backward and pull bit forward. All accessories should be wiped clean after removing (Fig. 3).

Fig. 2

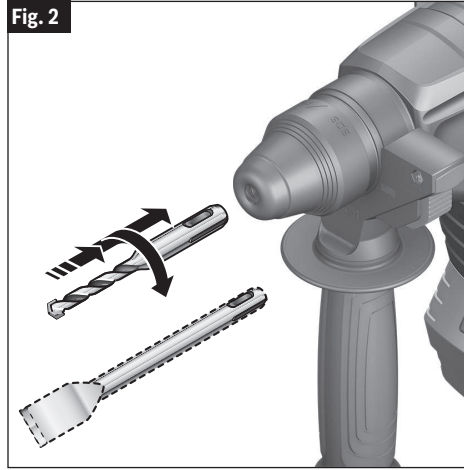
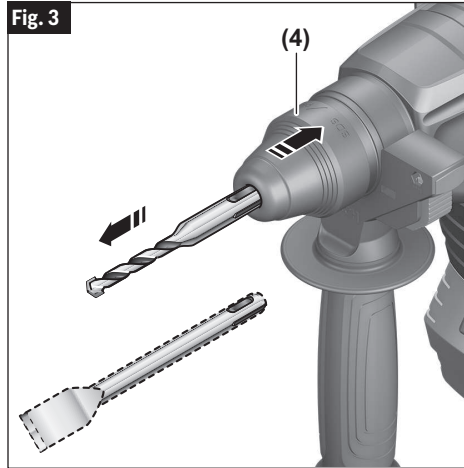


Fig. 3



Assembly

Installing & Removing 3-Jaw Chuck (Not included, available as accessory)

The 3 Jaw Chuck with SDS Shank can convert your tool for use with straight shank bits.

Clean the insert shank end of the accessory to remove any debris, then lightly grease with a light oil or lubricant

Insert accessory into the chuck through the dust shield, while twisting and pushing inward until it locks automatically into place. Pull outward on the accessory to be certain it is locked into the chuck (Fig. 4).

To remove the chuck, pull the locking sleeve backward (towards the rear of tool), while pulling the chuck forward.

A keyless version of the 3 Jaw Chuck is available for purchase. Please see Boschtools.com for details.

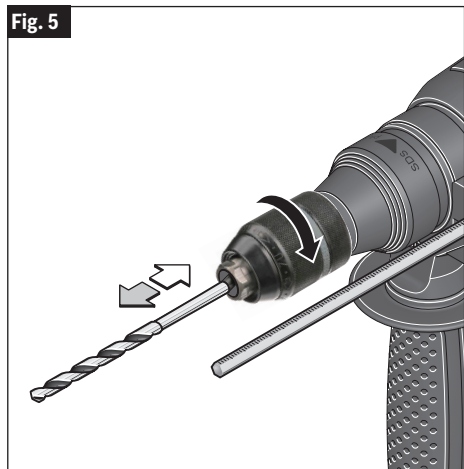
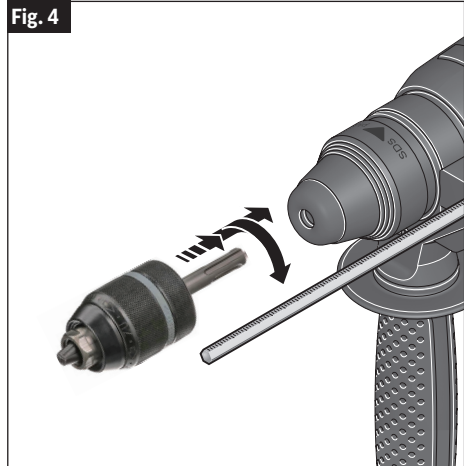
Installing & Removing Accessories 3-Jaw Chuck

For small bits, open jaws enough to insert the bit up to the flutes. For large bits, insert the bit as far as it will go. Center the bit as you close the jaws by hand. This positions the bit properly, giving maximum contact between the chuck jaws and the bit shank (Fig. 5).

Hold the drill and turn the chuck clockwise to tighten. Hand crank the chuck tighter until you feel it ratchet down.

To remove bit, hold the drill and turn the chuck counterclockwise to loosen.

Note: The 3-Jaw Chuck is for use only in “Drill only” mode. The 3-Jaw Chuck is not for use when drilling with hammering action.



Assembly

Auxiliary Handle

The tool must be supported with the auxiliary handle **(13)**, which can be swiveled 360°.

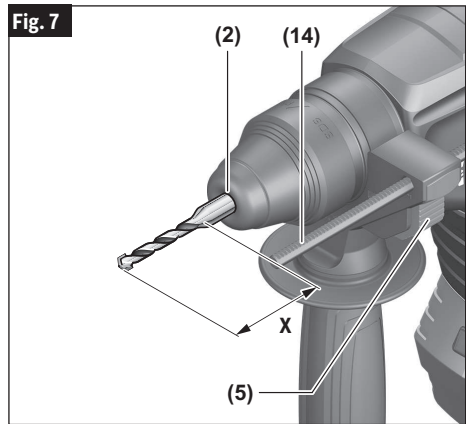
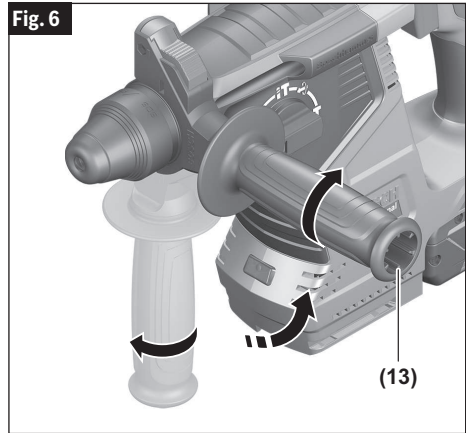
To reposition and/or swivel the handle, loosen the hand grip, move the handle to the desired position along the barrel and securely retighten the hand grip (Fig. 6).

Depth Gauge

Your drilling depth can be pre-set and/or repeated by using the depth gauge.

Setting depth: After the auxiliary handle is installed, make sure the accessory has been fully inserted into the tool holder **(2)** before setting the depth gauge **(14)** (Fig. 7).

To adjust depth, push the depth gauge release button **(5)**, slide the depth gauge **(14)** to desired depth and release pressure on button to lock the depth gauge in place.



Operating Instructions

Variable Speed Controlled Trigger Switch

⚠ WARNING To reduce the risk of injury immediately discontinue use of the tool if the variable speed control ceases to function. Subsequent loss of on/off control of the trigger switch is likely.

Your tool is equipped with a variable speed trigger switch. The tool can be turned “ON” or “OFF” by squeezing or releasing the trigger. The speed can be adjusted from the minimum to maximum nameplate RPM by the pressure you apply to the trigger. Apply more pressure to increase the speed and release pressure to decrease speed Fig. 1).

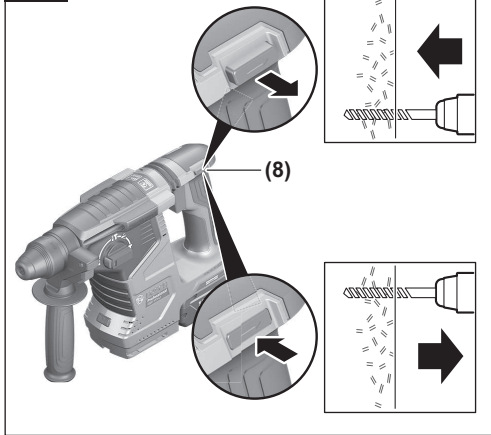
Forward/Reversing Lever and Trigger Lock

⚠ CAUTION Do not change direction of rotation until the tool comes to a complete stop. Shifting during rotation of the chuck can cause damage to the tool.

Your tool is equipped with a forward/reversing lever and trigger lock (8) located above the trigger (Fig. 8). This lever was designed for changing rotation of the chuck, and for locking the trigger in an “OFF” position to help prevent accidental starts and accidental battery discharge.

For forward rotation, (with chuck pointed away from you) move the lever to the far left. For reverse rotation move the lever to the far right. To activate trigger lock move lever to the center off position.

Fig. 8



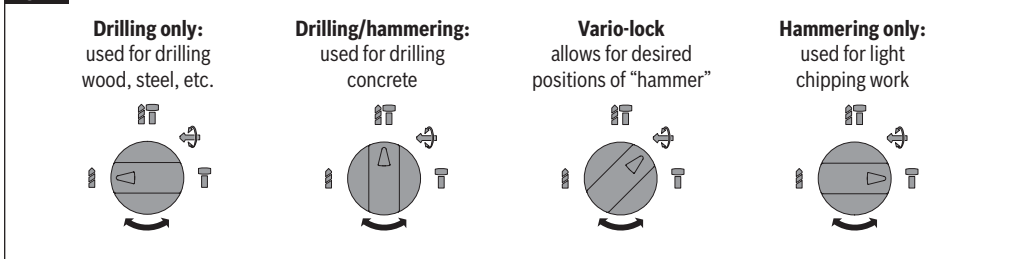
Mode Selector Dial

⚠ CAUTION Do not operate the selection dial until the tool comes to a complete stop. Shifting during rotation of the chuck can cause damage to the tool.

The mode selector dial allows the tool to be set for various applications as listed in the following chart, (Fig. 9).

When using demolition or chipping bits such as bull points, chisels, spades, gouges, etc. the “Hammer Only” mode must be selected.

Fig. 9



Operating Instructions

“Vario-Lock”

The Vario-Lock position is intended for use with chipping bits such as bull points, spades, gouges, etc. Choose a position which is best suited for your operation.

Turn the mode selector dial, to the “vario-lock” setting. Next, rotate the locking sleeve, along with the accessory, to the desired position. Then turn the mode selector dial to the “hammer only” setting and slightly turn the locking sleeve to have it automatically lock into a definite position (Fig. 10).

Slip Clutch

The tool has a internal pre-set slip clutch. The output spindle will stop rotating if the accessory binds and overloads the tool.

Kickback Control

The rapid shut-off feature enables better control and improves user’s comfort. The power tool automatically shuts off in case of sudden and unexpected rotation of the power tool around the drilling axis (for example jamming of the drill bit in reinforcing steel or wedging application tool). To restart the machine, release the On/Off switch and then actuate again.

Kickback Control can activate only when the power tool is running at maximum operating speed and can rotate freely around the drill bit axis.

Inserting and Releasing Battery Pack

Set Forward/Reversing lever (8) to the center (off position). Slide charged battery pack (11) into the housing until the battery pack locks into position.

Your tool is equipped with a secondary locking latch to prevent the battery pack from completely falling out of the handle, should it become loose due to vibration.

To remove the battery pack, press the battery pack release button (16) and slide the battery pack completely out of tool housing (Fig. 11).

Fig. 10

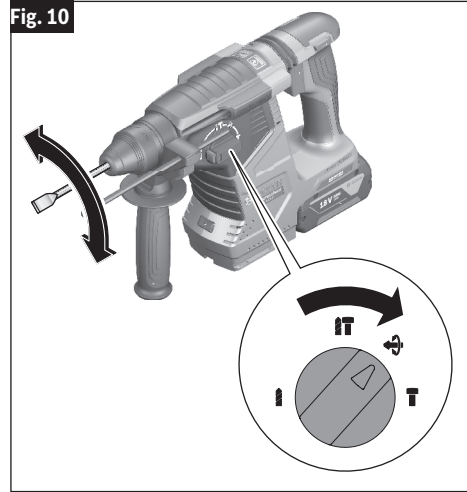
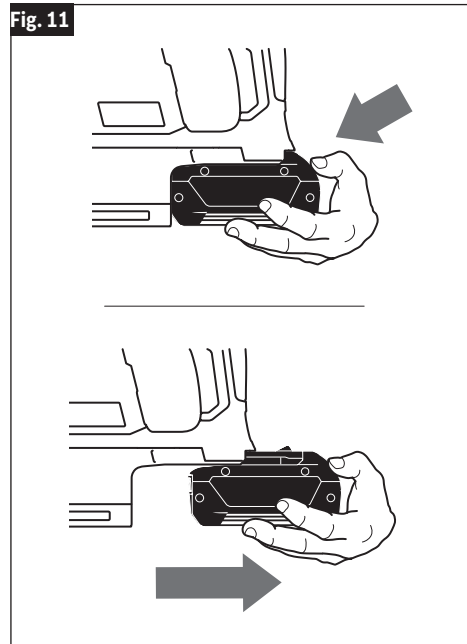


Fig. 11



Operating Instructions

Tool Tips

Following a few simple tips will reduce wear on the tool and the chance of injury to the operator.

Note: The high efficiency available from the rotary hammers can only be obtained if sharp and undamaged accessories are used. The “cost” to maintain sharp and undamaged accessories is more than offset by the “time saved” in operating the tool with sharp accessories.

You will extend the life of your bits and do neater work if you always put the bit in contact with the workpiece BEFORE pulling the trigger. During operation, hold the drill firmly and exert moderate, steady pressure. Too much pressure at low speed will stall the hammer. Too little pressure will keep the bit from cutting and cause excess friction by sliding over the surface. This can be damaging to the drill and bit.

Shanks of all drill bits should be wiped clean prior to using and immediately after removing.

Recall these instructions for safe operation:

1. Some materials require slow drilling speeds; whereas, others require higher speed to produce the best results.
2. All work must be supported or secured before drilling and steady, even pressure applied in line with the drill bit.
3. As the drill bit cuts through the opposite side, reduce the pressure and continue running the drill as the bit is withdrawn.

Materials such as glass, porcelain, ceramics, tiles, plastics, etc., should be drilled at low speeds with specially designed drill bits and lubricants.

Drilling Wood or Plastic

If backing block is not used, ease up on the pressure just before the bit breaks through the wood to avoid splintering. Complete the hole from the opposite side immediately after the point breaks through. If bit binds, reverse the drilling operation to help remove the bit from the work.

Drilling Metal

Make a center punch in the material for easier starting. Use enough pressure to keep the bit cutting. If the bit is allowed to merely spin in the hole, it will become dull within a short time. When drilling a larger hole, it is faster and easier on your power pack to first make a smaller hole and enlarge it to the required size. Lubricate the tip of the bit occasionally with CUTTING OIL for easier metal drilling. If bit binds, reverse the drilling to help remove the bit from the work.

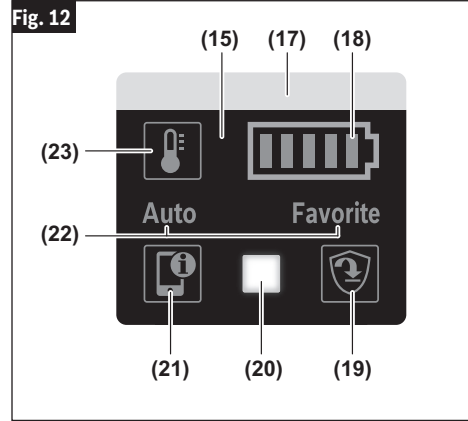
Drilling Masonry

Use carbide-tipped masonry bit for cinder block, mortar, common brick, soft stone and other materials. The amount of pressure to be used is dependent upon the type of material being drilled. Soft materials require less pressure while the hard materials need more pressure to prevent the drill bit from spinning.

Operating Instructions

User Interface

The user interface (15) is used to select the working mode and to indicate the status of the power tool (Fig. 12).



Status Indications

Power tool status (17)	Meaning/cause	Solution
Green	Status OK	–
Yellow	Critical temperature has been reached or rechargeable battery is almost empty	Allow the power tool to cool down, or replace or charge the battery
Red	Power tool has overheated or rechargeable battery is empty	Allow the power tool to cool down, or replace or charge the battery
Red	Impact/mode selector switch activated during operation	Turn the power tool off and on again
	Motor is jammed, battery too weak	Charge the battery or use the recommended battery type
	General error	– Turn the power tool off and on again, or remove the battery and reinsert it If the error persists: – Send the power tool to the after-sales service
Flashing red – In combination with the kickback control indicator (19)	Kickback control is triggered	Turn the power tool off and on again
Flashing blue	Power tool is connected to a mobile device via Bluetooth® or settings are being transferred	–

Operating Instructions

Battery charge indicator (interface) (18)	Meaning/cause	Solution
Green (2 to 5 bars)	Battery charged	–
Yellow (1 bar)	Battery almost empty	Replace or charge battery soon
Red (1 bar)	Battery empty	Replace or charge battery

Temperature indicator (23)	Meaning/cause	Solution
Yellow	Operating temperature of the battery or the power tool has significantly increased, performance is reduced	Leave the power tool to cool down or replace overheated battery
Red	Operating temperature of the battery or the power tool has been exceeded, power tool switches itself off as a precautionary measure	Leave the power tool to cool down or replace overheated battery

Smartphone status indicator (21)	Meaning/cause	Solution
White	Important information available (e.g. temperature warning)	Read the message on the smartphone

Working Mode Button (20)

Selecting the working mode:

Press the **(20)** button for selecting the working mode repeatedly until the working mode you require lights up.

Note: In **Favorite** working mode, the functions are configured via the smartphone app, while the functions are preset in **Auto** working mode.

Working mode (22) indicator	Functions
Auto lights up	In Auto working mode, the power tool reaches maximum performance. <ul style="list-style-type: none"> – 100 % of the maximum speed – Rapid Shut-off (KickBack Control)
Favorite lights up	In Favorite working mode, the power tool can be individually configured via a smartphone app. <ul style="list-style-type: none"> – The speed can be configured in several settings for different applications: low/medium/high (100 % of the maximum speed) speed

Connectivity

Bluetooth®

⚠️ WARNING Always check tool settings before use. Settings may be different than when the tool was last used. The connectivity module enables transfer of data and settings based on Bluetooth® wireless technology. With module installed, select tool settings may be changed remotely by a paired Bluetooth® device and user installed app.

⚠️ WARNING This tool is equipped with a radio interface. Local operating restrictions, e.g. in military sites or hospitals, are to be observed. Transmitters have demonstrated an ability to unintentionally interfere with other devices.

THINK SAFETY

SAFETY IS A COMBINATION OF OPERATOR COMMON SENSE AND ALERTNESS AT ALL TIMES WHEN THE TOOL IS BEING USED.

FCC Caution

The manufacturer is not responsible for radio interference caused by unauthorized modifications to this equipment. Such modifications could void the user's authority to operate the equipment.

This device complies with Part 15 of the FCC Rules. Operation is subject to the following two conditions:

- 1) This device may not cause harmful interference, and
- 2) This device must accept any interference received, including interference that may cause undesired operation.

NOTE! This equipment has been tested and found to comply with the limits for a Class B digital devices, pursuant to Part 15 of the FCC rules. These limits are designed to provide reasonable protection against harmful interference in a residential installation. This equipment generates, uses and can radiate radio frequency energy and, if not installed and used in accordance with the instructions, may cause harmful

interference to radio communications. However, there is no guarantee that interference will not occur in a particular installation. If this equipment does cause harmful interference to radio or television reception, which can be determined by turning the equipment off and on, the user is encouraged to try to correct the interference by one or more of the following measures:

- Reorient or relocate the receiving antenna.
- Increase the separation between the equipment and receiver.
- Connect the equipment into an outlet on a circuit different from that to which the receiver is connected.
- Consult the dealer or an experienced radio/TV technician for help.

“Exposure to Radio Frequency (RF) Signals: The wireless device is a radio transmitter and receiver. It is designed and manufactured not to exceed the emission limit for exposure to radio frequency (RF) energy set by the Ministry of Health (Canada), Safety Code 6. These limits are part of comprehensive guidelines and established permitted levels of RF energy for the general population.

These guidelines are based on the safety standards previously set by international standard bodies. These standards include a substantial safety margin designed to assure the safety of all persons, regardless of age and health.

This device and its antenna must not be co-located or operating in conjunction with any other antenna or transmitter.

ISED Canada

This device complies with Industry Canada licence-exempt RSS standard(s). Operation is subject to the following two conditions:

- (1) this device may not cause interference, and
- (2) this device must accept any interference, including interference that may cause undesired operation of the device.

Connectivity

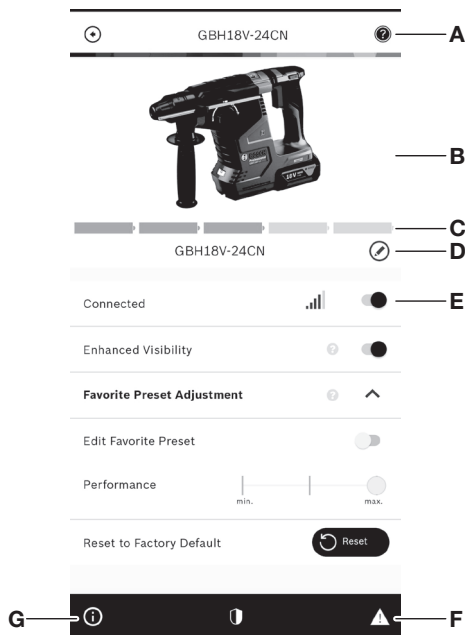
Using 'Bosch Toolbox' app

Install 'Bosch Toolbox' app on your mobile device or make sure you are running the latest version of the app.

Launch 'Bosch ToolBox' app on your mobile device and click on "My Tools" icon/tile. Follow the app directions to pair the tool with the mobile device.

After pairing your tool with a mobile device you can adjust certain functions or check the status of the power tool using Bosch Toolbox app.

- A. Help button** – tapping this button will bring up help screen.
- B. Tool photo** – tapping on the photo will let you customize the photograph of the tool.
- C. Power tool battery charge status** – the number of green 'batteries' indicates the estimated charge level for the battery pack.
- D. Power tool nickname** – tapping on the 'pencil' icon will let you customize the tool nickname. You can also do it when changing the tool photo.
- E. Connection status bar** – Here you can see the connection (signal) strength indicated by vertical bars. You can use toggle switch to disconnect the tool from you mobile device.
- F. Tool alerts** – tapping the 'alerts triangle' will display any alerts received from the tool.
- G. Info button** – displays tool information and specifications.



Dust Extraction

For selection of dust collection systems and operating instructions, see the Operating / Safety instructions for 'Dust Extraction Attachments for Hammers and hammer Drills' included with your tool or with the dust extraction attachment.

Bosch dust collector attachment, GDE18V-16 (sold separately), can be used with this rotary hammer. Please read the GDE18V-16 Operating/Safety instructions for detailed information.

Maintenance

⚠ WARNING To avoid accidents, always disconnect the battery pack from tool before servicing or cleaning.

Service

⚠ WARNING NO USER SERVICEABLE PARTS INSIDE. Preventive maintenance performed by unauthorized personnel may result in misplacing of internal wires and components which could cause serious hazard. We recommend that all tool service be performed by a Bosch Factory Service Center or Authorized Bosch Service Station. SERVICE MEN: Disconnect tool and/or charger from power source before servicing.

Batteries

Be alert for battery packs that are nearing their end of life. If you notice decreased tool performance or significantly shorter running time between charges then it is time to replace the battery pack. Failure to do so can cause the tool to operate improperly or damage the charger.

Tool Lubrication

Your Bosch tool has been properly lubricated and is ready for use.

Motors

The motor in your tool has been engineered for many hours of dependable service. To maintain

peak efficiency of the motor, we recommend it be examined every six months. Only a genuine Bosch replacement motor specially designed for your tool should be used.

Replacing the Built-in Coin Cell Battery

⚠ WARNING The coin cell battery must always be replaced with a coin cell battery of the same type. Using different coin cell battery may cause tool and property damage and injury.

You will be notified via the Bosch Toolbox app if the coin cell is too weak or if it is drained. The coin cell replacement must be performed by Bosch or by an after-sales service centre authorised to work with Bosch power tools.

Cleaning

⚠ CAUTION Certain cleaning agents and solvents damage plastic parts. Some of these are: gasoline, carbon tetrachloride, chlorinated cleaning solvents, ammonia and household detergents that contain ammonia.

Ventilation openings and switch levers must be kept clean and free of foreign matter. Do not attempt to clean by inserting pointed objects through opening.

Accessories

⚠ WARNING Do not use attachments / accessories other than those specified by Bosch. Use of attachments/accessories not specified for use with the tool described in this manual may result in damage to the tool, property damage, and or personal injury.

Store accessories in a dry and temperate environment to avoid corrosion and deterioration.

Standard Equipment	Accessories / Attachments (sold separately)
<ul style="list-style-type: none">- 360 Auxiliary Handle- Depth Gauge	<ul style="list-style-type: none">- Dust Attachments (see Boschtools.com for available dust collection attachments for hammers and hammer drills).- 3-Jaw Chuck



Symboles relatifs à la sécurité

Les définitions ci-dessous décrivent le niveau de gravité pour chaque terme signalant un danger. Veuillez lire le mode d'emploi et lire la signification de ces symboles.

	C'est le symbole d'alerte relatif à la sécurité. Il est utilisé pour vous avertir de l'existence possible d'un danger de lésion corporelle. Obéissez à tous les messages relatifs à la sécurité qui suivent ce symbole pour éviter tout risque de blessure ou même de mort.
	DANGER indique une situation dangereuse qui, si elle n'est pas évitée, causera la mort d'une personne ou une blessure grave.
	AVERTISSEMENT indique une situation dangereuse qui, si elle n'est pas évitée, pourrait causer la mort d'une personne ou une blessure grave.
	MISE EN GARDE indique une situation dangereuse qui, si elle n'est pas évitée, pourrait causer une blessure légère ou modérée.

Avertissements généraux concernant la sécurité des outils lectroportatifs

AVERTISSEMENT Lisez toutes les consignes de sécurité, instructions, illustrations et spécifications fournies avec cet outil électrique. Le non-respect de toutes les instructions figurant ci-après pourrait causer un choc électrique, un incendie et/ou des blessures graves.

CONSERVEZ TOUS LES AVERTISSEMENTS ET TOUTES LES CONSIGNES DE SÉCURITÉ POUR RÉFÉRENCE FUTURE.

Dans les avertissements, le terme « outil électroportatif » se rapporte à votre outil branché sur le secteur (avec fil) ou à votre outil alimenté par piles (sans fil).

1. Sécurité du lieu de travail

- Maintenez le lieu de travail propre et bien éclairé.** Les risques d'accident sont plus élevés quand on travaille dans un endroit encombré ou sombre.
- N'utilisez pas d'outils électroportatifs dans des atmosphères explosives, comme par exemple en présence de gaz, de poussières ou de liquides inflammables.** Les outils électroportatifs produisent des étincelles qui risquent d'enflammer les poussières ou les vapeurs.
- Éloignez les enfants et les visiteurs quand vous vous servez d'un outil électroportatif.** Vous risquez une perte de contrôle si on vous distrait.

2. Sécurité électrique

- Les fiches des outils électroportatifs doivent correspondre à la prise.** Il ne faut absolument jamais modifier la fiche. N'utilisez pas d'adaptateur de prise avec des outils électroportatifs munis d'une fiche de terre. Le risque de choc électrique est moindre si on utilise une fiche non modifiée sur une prise qui lui correspond.
- Évitez tout contact du corps avec des surfaces reliées à la terre tels que tuyaux, radiateurs, gazinières ou réfrigérateurs.** Le risque de choc électrique augmente si votre corps est relié à la terre.

- N'exposez pas les outils électroportatifs à la pluie ou à l'humidité.** Si de l'eau pénètre dans un outil électroportatif, le risque de choc électrique augmente.
- Ne maltraitez pas le cordon.** Ne vous en servez jamais pour transporter l'outil électroportatif, pour le tirer ou pour le débrancher. Éloignez le cordon de la chaleur, des huiles, des arêtes coupantes ou des pièces mobiles. Les cordons abîmés ou emmêlés augmentent les risques de choc électrique.
- Si vous utilisez un outil électroportatif à l'extérieur, employez une rallonge conçue pour l'extérieur.** Ces rallonges sont faites pour l'extérieur et réduisent le risque de choc électrique.
- S'il est absolument nécessaire d'utiliser l'outil électroportatif dans un endroit humide, utilisez une alimentation protégée par un disjoncteur de fuite de terre (GFCI).** L'utilisation d'un disjoncteur GFCI réduit les risques de choc électrique.

3. Sécurité personnelle

- Restez concentré, faites attention à ce que vous faites, et servez-vous de votre bon sens lorsque vous utilisez un outil électroportatif.** N'employez pas d'outils électroportatifs quand vous êtes fatigué ou sous l'emprise de drogues, d'alcool ou de médicaments. Quand on utilise des outils électroportatifs, il suffit d'un moment d'inattention pour causer des blessures corporelles graves.



Avertissements généraux concernant la sécurité des outils lectroportatifs

- b. **Utilisez des équipements de sécurité personnelle.** Portez toujours une protection oculaire. Le port d'équipements de sécurité tels que des masques anti-poussières, des chaussures de sécurité antidérapantes, des casques de chantier et des protecteurs d'oreilles dans des conditions appropriées réduira le risque de blessure corporelle.
- c. **Évitez les démarrages intempestifs.** Assurez-vous que l'interrupteur est dans la position arrêt (Off) avant de brancher l'outil dans une prise de courant et/ou un bloc-piles, de le ramasser ou de le transporter. Le transport d'un outil électroportatif avec le doigt sur la gâchette ou le branchement de cet outil quand l'interrupteur est en position de marche (ON) est une invite aux accidents.
- d. **Enlevez toutes les clés de réglage avant de mettre l'outil électroportatif en marche.** Si on laisse une clé sur une pièce tournante de l'outil électroportatif, il y a un risque de blessure corporelle.
- e. **Ne vous penchez pas.** Conservez toujours une bonne assise et un bon équilibre. Ceci vous permettra de mieux maîtriser l'outil électroportatif dans des situations inattendues.
- f. **Habilitez-vous de manière appropriée.** Ne portez pas de vêtements amples ou de bijoux. Attachez les cheveux longs. N'approchez pas les cheveux, les vêtements ou les gants des pièces en mouvement. Les vêtements amples, les bijoux ou les cheveux longs risquent d'être happés par les pièces en mouvement.
- g. **Si l'outil est muni de dispositifs permettant le raccordement d'un système d'aspiration et de collecte des poussières, assurez-vous que ces dispositifs sont raccordés et utilisés correctement.** L'utilisation d'un dépoussiéreur peut réduire les dangers associés à l'accumulation de poussière.
- h. **Ne laissez pas la familiarité résultant de l'utilisation fréquente des outils vous inciter à devenir complaisant(e) et à ignorer les principes de sécurité des outils.** Une action négligente pourrait causer des blessures graves en une fraction de seconde.
- c. **Débranchez la fiche de la prise secteur et/ou retirez le bloc-piles de l'outil électrique (s'il est amovible) avant d'y apporter de quelconques modifications, de changer d'accessoire ou de ranger l'outil électrique.** De telles mesures de sécurité préventive réduisent le risque de démarrage intempestif de l'outil électroportatif.
- d. **Rangez les outils électroportatifs dont vous ne servez pas hors de portée des enfants et ne permettez pas à des personnes qui ne connaissent pas l'outil électroportatif ou qui ignorent ces consignes de s'en servir.** Les outils électroportatifs sont dangereux dans les mains d'utilisateurs inexpérimentés.
- e. **Entretenez de façon appropriée les outils électriques et les accessoires.** Assurez-vous que les pièces en mouvement sont bien alignées et qu'elles ne se coincent pas, qu'il n'y a pas de pièces cassées ou qu'il n'existe aucune situation pouvant affecter le fonctionnement de l'outil électrique. Si l'outil est abîmé, faites-le réparer avant de l'utiliser. De nombreux accidents sont causés par des outils électroportatifs mal entretenus.
- f. **Maintenez les outils coupants affûtés et propres. Les outils coupants entretenus correctement et dotés de bords tranchants affûtés sont moins susceptibles de coincer et sont plus faciles à maîtriser.**
- g. **Utilisez l'outil électroportatif, les accessoires et les embouts d'outil, etc.** conformément à ces instructions, en tenant compte des conditions de travail et des travaux à réaliser. L'emploi d'outils électroportatifs pour des tâches différentes de celles pour lesquelles ils ont été prévus peut résulter en une situation dangereuse.
- h. **Gardez les poignées et les surfaces de préhension propres, sèches et exemptes de toute trace d'huile ou de graisse.** Les poignées et les surfaces de préhension glissantes ne permettent pas une manipulation et un contrôle sûrs de l'outil dans des situations inattendues.

5. Utilisation et entretien des outils à piles

4. Utilisation et entretien des outils électroportatifs

- a. **Ne forcez pas sur l'outil électroportatif.** Utilisez l'outil électroportatif qui convient à la tâche à effectuer. L'outil qui convient à la tâche fait un meilleur travail et est plus sûr à la vitesse pour lequel il a été conçu.
- b. **Ne vous servez pas de l'outil électroportatif si son interrupteur ne parvient pas à le mettre en marche ou à l'arrêter.** Tout outil électroportatif qui ne peut pas être commandé par son interrupteur est dangereux et doit être réparé.
- a. **Rechargez les piles uniquement avec le chargeur spécifié par le fabricant.** Un chargeur qui convient à un type de bloc-piles peut entraîner un risque d'incendie quand il est utilisé avec un autre bloc-piles.
- b. **Utilisez des outils électroportatifs uniquement avec les bloc-piles spécifiquement désignés pour eux.** L'utilisation de tout autre bloc-piles peut créer un risque de blessures et d'incendie.
- c. **Lorsque le bloc-piles n'est pas utilisé, gardez-le à distance d'autres objets métalliques tels que des trombones, des pièces de monnaie, des clés, des clous, des vis ou de tout autre objet métallique pouvant faire une connexion entre une borne et une autre.** Court-circuiter

Avertissements généraux concernant la sécurité des outils lectroportatifs

- les bornes des piles peut causer des brûlures ou un incendie.
- d. **Dans des conditions abusives, du liquide peut être éjecté de la pile ; dans un tel cas, évitez tout contact avec ce liquide.** Si un contact se produit accidentellement, rincez avec de l'eau. Si le liquide entre en contact avec les yeux, consultez un médecin. Du liquide éjecté de la pile peut causer des irritations ou des brûlures.
- e. **N'utilisez pas un bloc-piles ou un outil qui est endommagé ou a été modifié.** Des piles endommagées ou modifiées peuvent se comporter de façon imprévisible et causer un incendie ou une explosion, ou entraîner des blessures.
- f. **N'exposez pas un bloc-piles ou un outil à un incendie ou à une température excessive.** L'exposition à un incendie ou à une température supérieure à 265° F (130° C) pourrait causer une explosion.
- g. **Suivez toutes les instructions relatives à la charge et ne chargez pas le bloc-piles ou l'outil en dehors de la plage de température indiquée dans les instructions.** Une charge dans des conditions appropriées ou à des températures en dehors de la plage spécifiée pourrait endommager les piles et augmenter le risque d'incendie.

6. Entretien

- a. **Faites réparer votre outil électroportatif par un agent de service qualifié n'utilisant que des pièces de rechange identiques.** Ceci assure que la sécurité de l'outil électroportatif est préservée.
- b. **Ne tentez jamais de réparer des blocs-piles endommagés.** La réparation de blocs-piles ne doit être effectuée que par le fabricant ou un prestataire de services agréé.

Consignes de sécurité pour les tournevis sans fil industriels

Tenez votre outil électrique par ses surfaces de préhension isolées lorsque vous l'utilisez dans une application dans laquelle l'élément de fixation pourrait entrer en contact avec des câbles cachés. Les éléments de fixation entrant en contact avec un fil sous tension peuvent rendre des parties en métal exposées de l'outil électrique conductrices et pourraient causer un choc électrique à l'opérateur.

Utilisez des détecteurs appropriés pour déterminer si des lignes de transport d'électricité ou des canalisations cachées sont présentes dans la zone de travail, ou appelez la compagnie d'électricité locale pour lui demander conseil. Un contact avec des lignes de transport d'électricité pourrait causer un incendie et une décharge électrique. L'endommagement d'une canalisation de gaz pourrait causer une explosion. La pénétration d'une canalisation d'eau causerait des dommages aux biens.

Mettez immédiatement l'outil électrique hors tension si l'embout de l'outil se coince. Soyez vigilant en raison du risque d'effet de rebond pouvant résulter d'un couple de réaction élevé. L'embout d'un outil peut s'immobiliser quand :

- l'outil électrique est en état de surcharge ou
- il se coince dans l'ouvrage.

Tenez fermement l'outil. Un couple de réaction élevé peut se produire brusquement pendant que vous serrez ou desserrez des vis.

Sécurisez l'ouvrage. Un ouvrage assujéti avec des dispositifs de fixation ou immobilisé dans un étau est nettement mieux sécurisé que s'il était tenu à la main.

Attendez toujours que l'outil se soit complètement arrêté avant de le poser. La mèche ou l'embout de l'outil pourrait se coincer et causer la perte de contrôle de l'outil électrique.

Avant d'effectuer toute opération sur l'outil (p. ex., entretien, changement d'embout, etc.) ainsi que pendant le transport ou le rangement de l'outil, réglez le commutateur de sens de rotation en position centrale. Une activation accidentelle de l'interrupteur de marche/arrêt pourrait causer des blessures.

Utilisez seulement des embouts qui ne sont ni endommagés, ni usés. Des embouts défectueux pourraient se casser, par exemple, et causer des blessures ou des dommages.

Lorsque vous travaillez avec un outil d'application, veillez à ce que l'outil d'application soit bien calé à l'intérieur du porte-outil. Lorsque l'outil d'application n'est pas bien en contact avec le porte-outil, il risque de se détacher et de ne plus être contrôlé.

Faites très attention lorsque vous enfoncez des vis longues. En fonction du type de vis et de la visseuse dont vous vous servez, il peut exister un risque de dérapage. Les vis longues sont souvent difficiles à contrôler, et il existe un risque que la mèche ou l'embout de l'outil pourrait glisser et se détacher du dispositif de fixation de l'outil et causer une blessure.

Faites attention au sens de rotation qui a été sélectionné avant de mettre l'outil électrique en marche. Par exemple, quand il est nécessaire de desserrer une vis et quand le sens de rotation est fixé pour serrer la vis, ceci risque de produire un couple de réaction très fort de l'outil électrique.

Consignes de sécurité pour les tournevis sans fil industriels

N'utilisez pas cet outil comme perceuse. Les outils munis d'un embrayage de blocage ne sont pas conçus pour des applications de perçage. L'embrayage pourrait se désactiver automatiquement et sans avertissement.

N'ouvrez pas le bloc-piles. Il existe un risque de court-circuit.

Avertissements supplémentaires concernant la sécurité

L'emploi d'un GFCI et de dispositifs de protection personnelle tels que gants et chaussures d'électricien en caoutchouc améliorent votre sécurité personnelle.

N'utilisez pas un outil conçu uniquement pour le C.A. sur une alimentation en C.C. Même si l'outil semble fonctionner, les composants électriques d'un outil prévu pour le C.A. tomberont probablement en panne et risquent de créer un danger pour l'utilisateur.

Maintenez les poignées sèches et exemptes d'huile et de graisse. On ne peut pas maîtriser un outil électroportatif en toute sécurité quand on a les mains glissantes.

Utilisez des brides ou d'autres moyens pratiques de brider ou de supporter la pièce sur une plate-forme stable. Tenir la pièce à la main ou contre le corps est instable et risque de résulter en une perte de contrôle.

Créez un agenda d'entretien périodique pour votre outil. Quand vous nettoyez un outil, faites attention de n'en démonter aucune pièce car il est toujours possible de mal remonter ou de pincer les fils internes ou de remonter incorrectement les ressorts de rappel des capots de protection. Certains agents de nettoyage tels que l'essence, le tétrachlorure de carbone, l'ammoniaque, etc. risquent d'abîmer les plastiques.

Veillez à ce que l'interrupteur soit dans la position de fermeture avant d'insérer le bloc-piles. L'insertion d'un bloc-piles dans un outil électroportatif dont l'interrupteur est dans la position de marche est une invite aux accidents.







⚠ AVERTISSEMENT Les travaux à la machine tel que ponçage, sciage, meulage, perçage et autres travaux du bâtiment peuvent créer des poussières contenant des produits chimiques qui sont des causes reconnues de cancer, de malformation congénitale ou d'autres problèmes reproductifs. Ces produits chimiques sont, par exemple :

- Le plomb provenant des peintures à base de plomb,
- Les cristaux de silices provenant des briques et du ciment et d'autres produits de maçonnerie, et
- L'arsenic et le chrome provenant des bois traités chimiquement.

Le niveau de risque dû à cette exposition varie avec la fréquence de ces types de travaux. Pour réduire l'exposition à ces produits chimiques, il faut travailler dans un lieu bien ventilé et porter un équipement de sécurité approprié tel que certains masques à poussière conçus spécialement pour filtrer les particules microscopiques.











Symboles

IMPORTANT : Certains des symboles suivants peuvent être utilisés sur votre outil. Veuillez les étudier et apprendre leur signification. Une interprétation appropriée de ces symboles vous permettra d'utiliser l'outil de façon plus efficace et plus sûre.

Symbole	Désignation / Explication
V	Volts (voltage)
A	Ampères (courant)
Hz	Hertz (fréquence, cycles par seconde)
W	Watt (puissance)
kg	Kilogrammes (poids)
min	Minutes (temps)
s	Seconds (temps)
∅	Diamètre (taille des mèches de perceuse, meules, etc.)
n_0	Vitesse à vide (vitesse de rotation, à vide)
n	Vitesse nominale (vitesse maximum pouvant être atteinte)
.../min	Tours ou mouvement alternatif par minute (tours, coups, vitesse en surface, orbites, etc., par minute)
0	Position d'arrêt (vitesse zéro, couple zéro ...)
1, 2, 3, ... I, II, III,	Réglages du sélecteur (Réglages de vitesse, de couple ou de position. Un nombre plus élevé signifie une vitesse plus grande)
0 	Sélecteur variable à l'infini avec arrêt (La vitesse augmente depuis le réglage 0)
	Flèche (action dans la direction de la flèche)
~	Courant alternatif (type ou caractéristique du courant)
≡	Courant continu (type ou caractéristique du courant)
	Courant alternatif ou continu (type ou caractéristique du courant)
	Construction classe II (désigne des outils construits avec double isolation)
	Borne de terre (borne de mise à la terre)
	Symbole d'avertissement (Alerte l'utilisateur aux messages d'avertissement)

Symboles

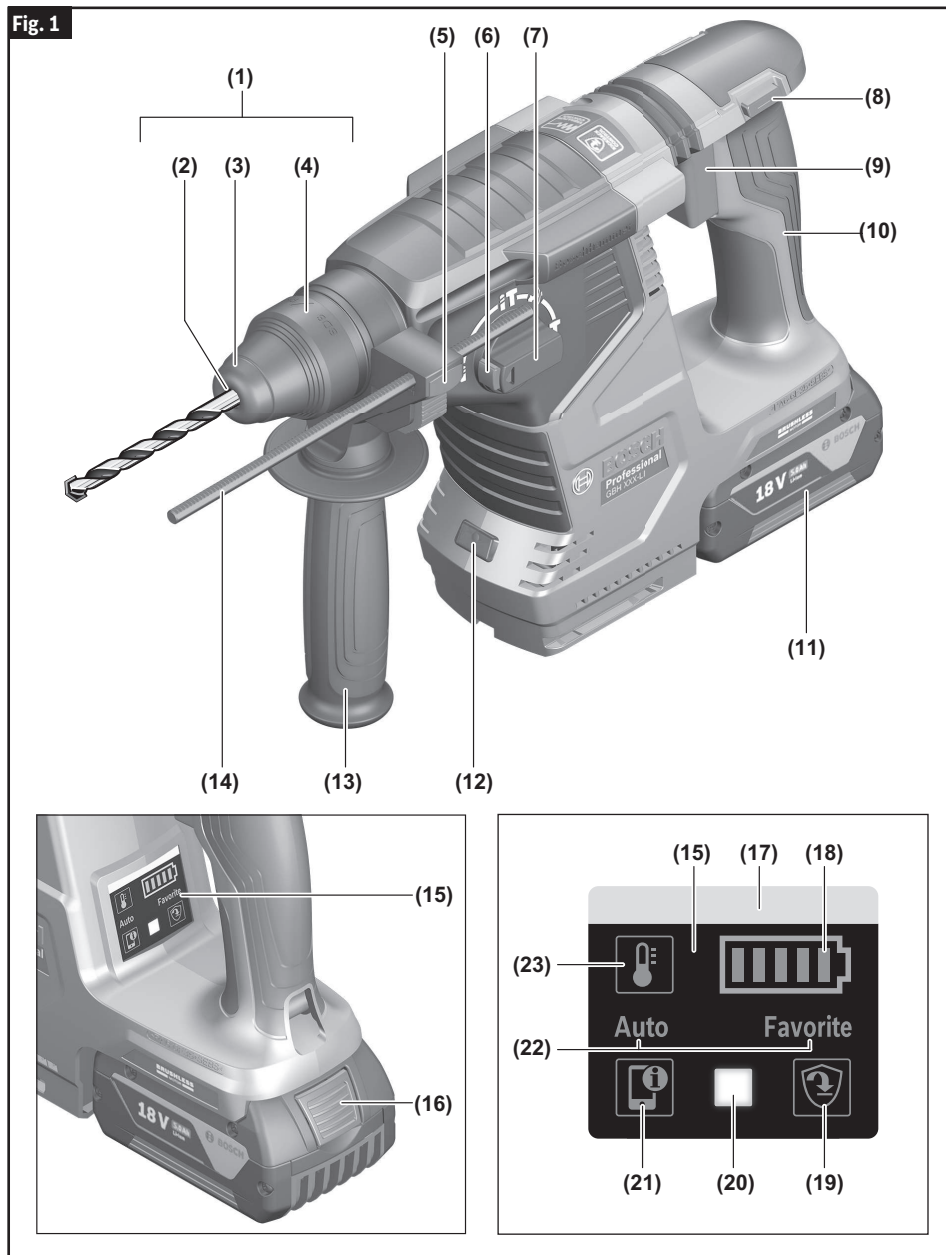
IMPORTANT : Certains des symboles suivants peuvent être utilisés sur votre outil. Veuillez les étudier et apprendre leur signification. Une interprétation appropriée de ces symboles vous permettra d'utiliser l'outil de façon plus efficace et plus sûre.

Symbole	Désignation / Explication
	Alerte l'utilisateur pour lire le mode d'emploi.
	Alerte l'utilisateur pour porter des lunettes de sécurité.
	Alerte l'utilisateur pour porter une protection respiratoire.
	Alerte l'utilisateur pour porter des protecteurs d'oreilles.
	Fait savoir à l'utilisateur qu'il doit porter des protections oculaires, respiratoires et auditives.
	Ce symbole signifie que cet outil est approuvé par Underwriters Laboratories selon les normes des États-Unis et du Canada.
	Ce symbole signifie que cet outil est approuvé par l'Association canadienne de normalisation.
	Ce symbole signifie que cet outil est approuvé par l'Association canadienne de normalisation selon les normes des États-Unis et du Canada.
	Ce symbole signifie que cet outil est approuvé par Intertek Testing Services selon les normes des États-Unis et du Canada.
	Désigne le programme de recyclage des piles Li-ion.

Description fonctionnelle et spécifications

AVERTISSEMENT Déconnectez le bloc-piles de l'outil ou mettez l'interrupteur dans la position de verrouillage ou d'arrêt avant de réaliser un montage, un réglage ou un changement d'accessoires. De telles mesures de sécurité préventives réduisent le risque de démarrage accidentel de l'outil.

Perceuse à percussion sans fil GBH18V-24C



Description fonctionnelle et spécifications

- | | |
|--|---|
| <ul style="list-style-type: none"> 1 Mandrin de perceuse SDS plus 2 Porte-outils SDS plus 3 Capuchon de protection contre la poussière 4 Manchon de verrouillage 5 Bouton pour le réglage de la butée de profondeur 6 Bouton de relâchement du sélecteur d'impact/de mode 7 Sélecteur d'impact/de mode 8 Commutateur de sens de rotation 9 Interrupteur de marche/arrêt 10 Poignée (surface de préhension isolée) 11 Pile rechargeable 12 Lampe de travail 13 Poignée auxiliaire (surface de préhension isolée) 14 Butée de profondeur | <ul style="list-style-type: none"> 15 Interface utilisateur 16 Bouton d'éjection des piles <p>Interface utilisateur</p> <ul style="list-style-type: none"> 17 Indicateur d'état de fonctionnement de l'outil électrique 18 Indicateur d'état de charge des piles 19 Indicateur d'arrêt rapide 20 Bouton pour sélectionner le mode de travail 21 Indicateur de téléphone intelligent 22 Indicateur de mode travail 23 Indicateur de température 24 Support universel avec tige SDS plus |
|--|---|

Numéro de modèle	GBH18V-24C
Tension nominale	18 V
Style de tige	SDS-plus®
Diamètre de perçage maximum en :	
Béton	1" (26mm)
Acier	1/2" (13mm)
Température admissible des piles pendant la charge	+32...+113°F (0...+45C)
Température ambiante admissible pendant le fonctionnement et le stockage	-4...+122°F (-20...+50C)
Température ambiante recommandée pendant la charge	+32...+95°F (0...+35°C)

Bloc-piles/chargeurs

Veillez vous référer à la liste des piles/chargeurs accompagnant votre outil.

REMARQUE : Pour spécifications de l'outil, reportez-vous à la plaque signalétique de votre outil.

Assemblage

⚠ AVERTISSEMENT Disconnect battery pack from tool or place the switch in the locked or off position before making any assembly, adjustments or changing accessories. Such preventive safety measures reduce the risk of starting the tool accidentally.

Installation des accessoires SDS-plus®

Nettoyez l'extrémité de la tige d'insertion de l'accessoire pour retirer tous débris éventuels, puis graissez légèrement en utilisant une huile ou un lubrifiant léger.

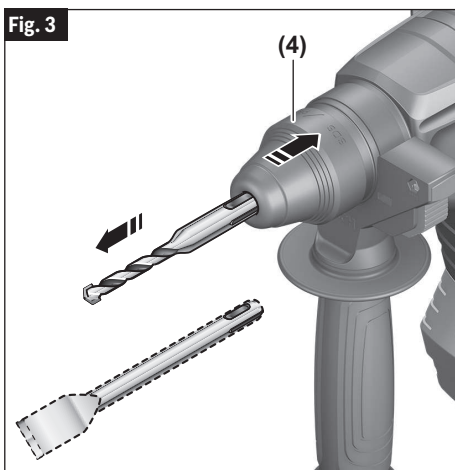
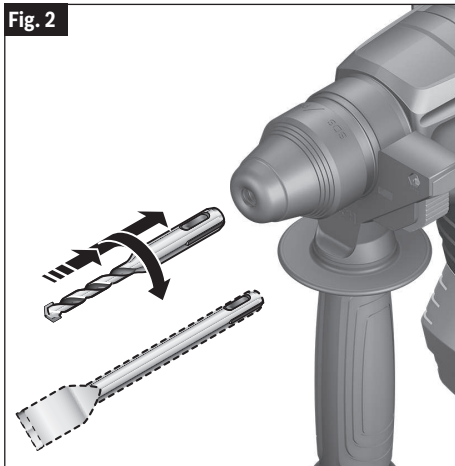
Insérez l'accessoire dans le mandrin à travers le pare-pousière tout en le faisant tourner et en le poussant vers l'intérieur jusqu'à ce qu'il se bloque automatiquement en place. Tirez l'accessoire vers l'extérieur pour vous assurer qu'il est bien verrouillé dans le mandrin (Fig. 2).

REMARQUE : L'efficacité élevée des marteaux rotatifs ne peut être obtenue que si des accessoires tranchants et en bon état sont utilisés. Le "coût" de l'entretien d'accessoires tranchants en bon état est plus que compensé par le « gain de temps » résultant de l'emploi de l'outil avec des accessoires tranchants.

Retrait des accessoires SDS-plus®

⚠ AVERTISSEMENT Les accessoires peuvent être très chauds après l'emploi. Évitez tout contact avec la peau et utilisez un chiffon ou des gants de protection appropriés pour les retirer.

Pour retirer un accessoire, tirez le manchon de verrouillage vers l'arrière et tirez l'embout vers l'avant. Il faut essuyer tous les accessoires pour les nettoyer après les avoir retirés (Fig. 3).



Assemblage

Installation et retrait du mandrin à trois mâchoires (non inclus, disponible en tant qu'accessoire)

Le mandrin à trois mâchoires avec la tige SDS peut convertir votre outil pour permettre son utilisation avec des embouts à tige droite.

Nettoyez l'extrémité de la tige d'insertion de l'accessoire pour retirer tous débris éventuels, puis graissez légèrement en utilisant une huile ou un lubrifiant léger.

Insérez l'accessoire dans le mandrin à travers le pare-poussière tout en le faisant tourner et le poussant vers l'intérieur jusqu'à ce qu'il se bloque automatiquement en place. Tirez l'accessoire vers l'extérieur pour vous assurer qu'il est bien verrouillé dans le mandrin (Fig. 4).

Pour retirer le mandrin, tirez le manchon de verrouillage vers l'arrière (de l'outil) tout en tirant le mandrin vers l'avant.

Une version sans clé du mandrin à trois mâchoires est en vente. Voir Boschtools.com pour plus de détails.

Installation et retrait des accessoires du mandrin à trois mâchoires

Pour les embouts de petite taille, ouvrez les mâchoires suffisamment pour insérer l'embout jusqu'aux goujures. Pour les embouts de grande taille, insérez les embouts aussi loin que possible. Centrez l'embout tout en fermant les mâchoires à la main. Ceci met l'embout dans la position appropriée, produisant le maximum de contact entre les mâchoires du mandrin et la tige de l'embout (Fig. 5).

Pour serrer le mandrin, insérez la clé dans chacun des trois trous de serrure en succession et serrez à fond dans le sens des aiguilles d'une montre.

Le mandrin peut être déverrouillé en utilisant seulement un trou.

Remarque : Le mandrin à trois mâchoires ne peut être utilisé que dans le mode de perçage. Le mandrin à trois mâchoires ne peut pas être utilisé pour percer avec une action de percussion.

Fig. 4

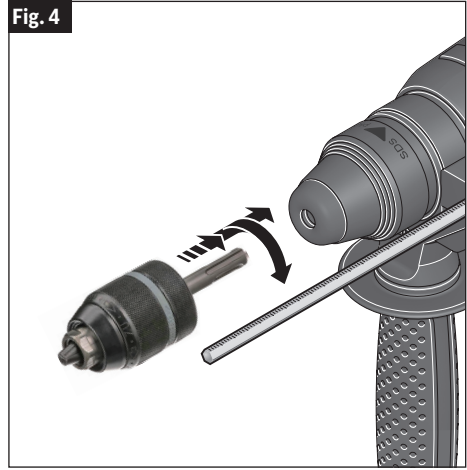
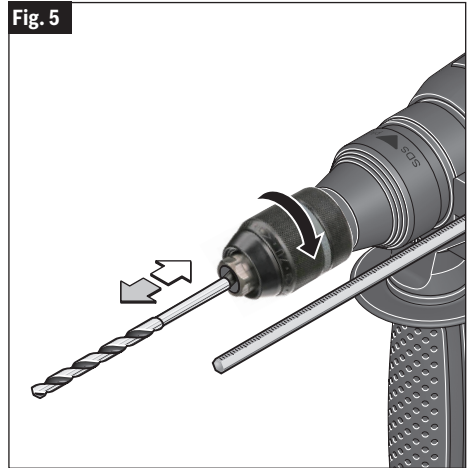


Fig. 5



Assemblage

Poignée auxiliaire

L'outil doit être supporté avec la poignée auxiliaire, qui peut pivoter sur 360°.

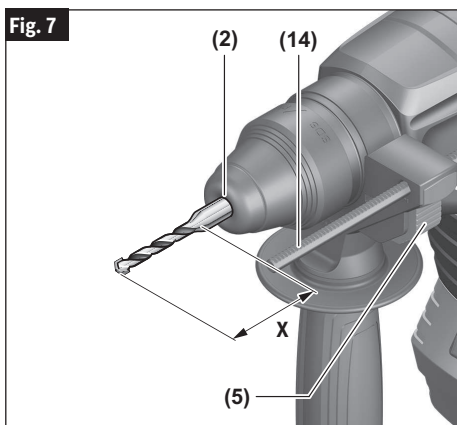
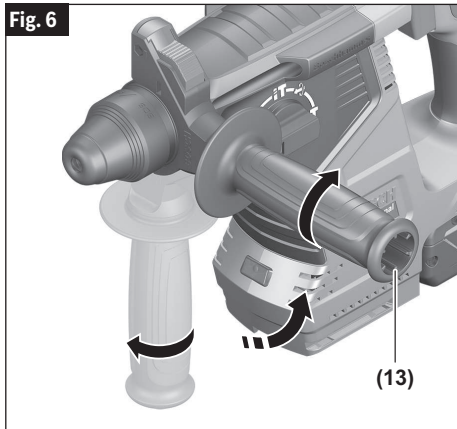
Pour repositionner et/ou faire pivoter la poignée, desserrez la prise manuelle, mettez la poignée dans la position désirée le long du manche cylindrique et resserrez la prise manuelle de façon sécurisée (Fig. 6).

Jauge de profondeur

Votre profondeur de perçage peut être fixée à l'avance et/ou répétée en utilisant la jauge de profondeur.

Réglage de la profondeur : Après l'installation de la poignée auxiliaire, vérifiez que l'accessoire a été inséré complètement dans le porte-outil avant de régler la jauge de profondeur (Fig. 7).

Pour régler la profondeur, appuyez sur le bouton de déverrouillage de la jauge de profondeur, faites glisser la jauge de profondeur à la profondeur désirée et relâchez la pression sur le bouton pour verrouiller la jauge de profondeur en place.



Consignes de fonctionnement

Commande de variation de la vitesse Interrupteur à gâchette

⚠ AVERTISSEMENT Pour réduire le risque de blessure, arrêtez immédiatement d'utiliser l'outil si la commande de variation de la vitesse cesse de fonctionner. Une perte ultérieure de contrôle sur l'activation/la désactivation de l'interrupteur à gâchette est vraisemblable.

Votre outil est muni d'un interrupteur à gâchette pour la commande de variation de la vitesse. L'outil peut être activé (ON) ou désactivé (OFF) en comprimant ou relâchant l'interrupteur à gâchette. La vitesse peut être ajustée de la valeur minimum à la valeur maximum figurant sur la plaque signalétique en fonction de la pression que vous exercez sur la gâchette. Exercez plus de pression pour accroître la vitesse ou moins de pression pour réduire la vitesse (Fig. 1).

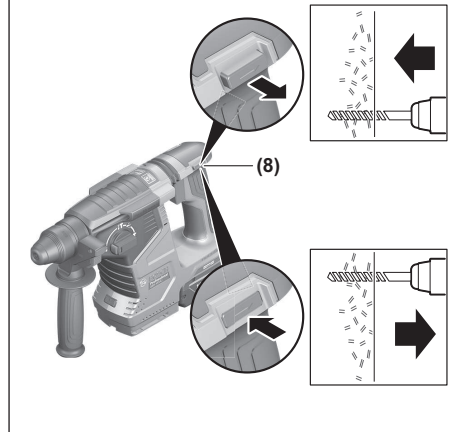
Levier de marche avant/arrière et verrouillage de la gâchette

⚠ MISE EN GARDE Ne changez pas le sens de rotation avant que l'outil ne se soit arrêté complètement. Un déplacement pendant la rotation du mandrin peut endommager l'outil.

Votre outil est équipé d'un levier pour régler le fonctionnement vers l'avant/en sens inverse et d'un verrou de gâchette (8) situé au-dessus de la gâchette (Fig. 8). Ce levier est conçu pour changer la rotation du mandrin et pour verrouiller la gâchette en position désactivée afin de prévenir tout risque de démarrage accidentel ou de décharge accidentelle des piles.

Pour une rotation vers l'avant, (avec le mandrin pointé à l'opposé de l'endroit où vous vous trouvez), déplacez le levier vers l'extrême gauche. Pour changer le sens de rotation, déplacez le levier à fond vers l'extrême droite. Pour activer le verrouillage de la gâchette, déplacez le levier et mettez-le dans la position centrale d'arrêt.

Fig. 8



Cadran de sélection de mode

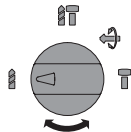
⚠ MISE EN GARDE Ne vous servez pas du cadran de sélection avant l'arrêt complet de l'outil. Un changement de mode intervenant pendant que le mandrin tourne risquerait d'endommager l'outil.

Le cadran de sélection de mode permet de régler l'outil en fonction de diverses applications, conformément aux indications du tableau suivant (Fig. 9).

Lorsque vous utilisez des embouts de démolition ou de burinage tels que des pics, des burins, des bêches, des ciseaux, etc., le mode « Hammer Only / Marteau seulement » doit être sélectionné.

Fig. 9

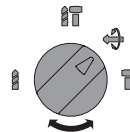
Perçage seulement :
servant à percer dans
le bois, l'acier, etc.



Perçage/martelage :
servant à percer le
béton



Vario-lock :
permet de régler le
martelage de façons



Martelage seulement :
servant au travail peu
exigeant de burinage



Consignes de fonctionnement

“Vario-Lock”

La position Vario-Lock est conçue pour emploi avec des embouts burineurs tels que des pointes à tête hémisphérique, des forets plats, des embouts cannelés, etc. Choisissez la position qui est la plus appropriée pour votre activité.

Faites tourner le cadran de réglage du mode pour le mettre dans la position « vario-lock ». Puis faites tourner le manchon de verrouillage avec l'accessoire pour le mettre dans la position désirée. Ensuite, faites tourner le cadran de réglage du mode dans la position « percussion seulement » et faites tourner légèrement le manchon de verrouillage pour qu'il se verrouille automatiquement dans une position définie (Fig. 10).

Embrayage de sécurité

L'outil est muni d'un embrayage de sécurité interne réglé en usine. La broche de sortie cessera de tourner si l'accessoire se coince et cause une surcharge pour l'outil.

Contrôle des risques de rebond

La fonctionnalité de fermeture rapide permet un meilleur contrôle et améliore le confort de l'utilisateur. L'outil électrique s'éteint automatiquement en cas de rotation soudaine et inattendue de l'outil autour de l'axe de perçage (par exemple, si la mèche se coince dans de l'acier renforcé ou se bloque dans un coin). Pour remettre la machine en marche, relâchez l'interrupteur de marche/arrêt, puis réactivez-le.

La fonction de contrôle des risques de rebond ne peut s'activer que lorsque l'outil électrique fonctionne à la vitesse maximum et quand il peut tourner librement autour de l'axe du foret de perçage.

Insertion et retrait du bloc-piles

Régler le levier de marche avant/arrière dans la position centrale (arrêt). Faites glisser le bloc-piles dans le boîtier jusqu'à ce que le bloc-piles se bloque en place.

Votre outil est muni d'un mécanisme de verrouillage secondaire pour empêcher que le bloc-piles ne sorte complètement de la poignée au cas où il se détacherait de celle-ci en conséquence des vibrations.

Pour retirer le bloc-piles, appuyez sur le bouton de libération du bloc-piles et faites glisser le bloc-piles complètement en dehors du boîtier de l'outil (Fig. 11).

Fig. 10

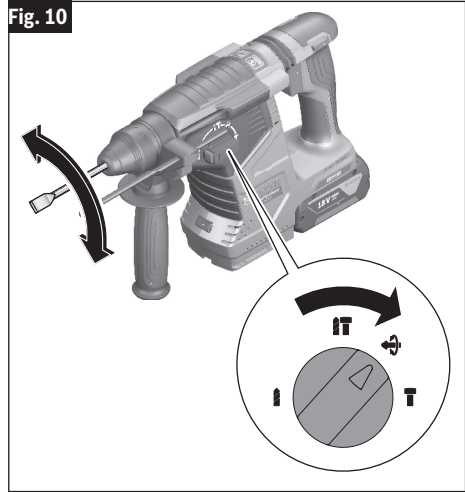
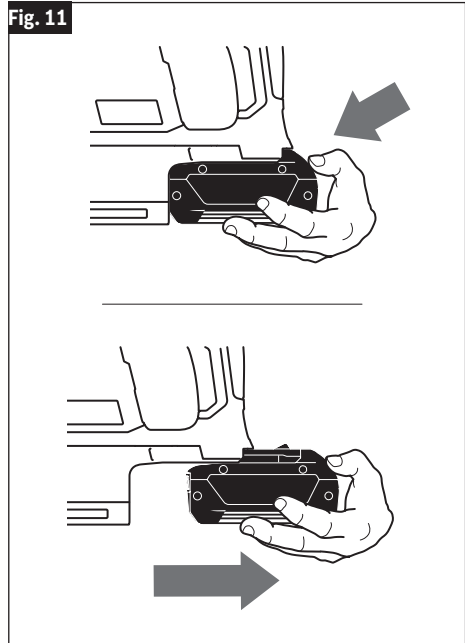


Fig. 11



Consignes de fonctionnement

Conseil relatifs à l'utilisation de l'outil

Suivez ces quelques conseils très simples pour réduire l'usure de l'outil et les risques de blessure de l'opérateur.

REMARQUE : L'efficacité élevée des marteaux rotatifs ne peut être obtenue que si des accessoires tranchants et en bon état sont utilisés. Le "coût" de l'entretien d'accessoires tranchants en bon état est plus que compensé par le « gain de temps » résultant de l'emploi de l'outil avec des accessoires tranchants.

Vous prolongerez la durée de vie de vos embouts et vous ferez un travail plus soigné si vous mettez toujours l'embout en contact avec l'ouvrage AVANT de tirer sur la gâchette. Pendant le fonctionnement, tenez fermement la perceuse et exercez une pression constante, mais modérée. Une pression excessive à basse vitesse fera caler le marteau. Une pression insuffisante empêchera l'embout de couper et causera des frottements excessifs en glissant sur la surface. Ceci pourrait causer des dommages à la perceuse aussi bien qu'à la mèche.

Les tiges de tous les mèches de perçage doivent être nettoyées avant leur utilisation et tout de suite après leur retrait.

Souvenez-vous de ces instructions pour pouvoir utiliser l'outil en toute sécurité :

1. Certains matériaux nécessitent des vitesses de perçage lentes, tandis que d'autres nécessitent des vitesses plus rapides afin de produire les meilleurs résultats possibles.
2. Tous les ouvrages doivent être supportés ou sécurisés avant de commencer le perçage et une pression constante et uniforme doit être appliquée dans le sens du mouvement de la mèche de perçage.
3. Lorsque la mèche atteint le côté opposé, réduisez la pression et continuez à laisser tourner la mèche à vide pendant son retrait.

Des matériaux tels que le verre, la porcelaine, la céramique, les carreaux, les plastiques, etc. doivent être percés à faible vitesse, avec des embouts spécialement conçus et l'application de lubrifiants appropriés.

Perçage de bois ou de plastique

Si vous n'utilisez pas de bloc de support, relâchez la pression juste avant que la mèche ne perce le côté opposé du bois pour éviter l'éclatement du matériau à proximité du trou. Effectuez la finition du trou depuis le côté opposé immédiatement après que la mèche aura fini de percer le trou. Si la mèche se coince, inversez le sens de rotation de la mèche afin de faciliter un retrait de l'ouvrage.

Perçage de métal

Réalisez une petite entaille dans le matériau à l'endroit désiré pour faciliter le perçage. Exercez suffisamment de pression pour permettre à la mèche de continuer à couper. Si vous laissez la mèche tourner à vide dans le trou, elle s'émoussera au bout de très peu de temps. Lorsque vous percez un trou de grand diamètre, faites un petit trou pour commencer et agrandissez-le progressivement pour atteindre la taille requise. Ceci sera plus rapide et consommera moins d'énergie. Lubrifiez occasionnellement la pointe de la mèche avec de l'HUILE DE COUPE pour pouvoir percer plus facilement le métal. Si la mèche se coince, inversez le sens de rotation de la mèche afin de faciliter un retrait de l'ouvrage.

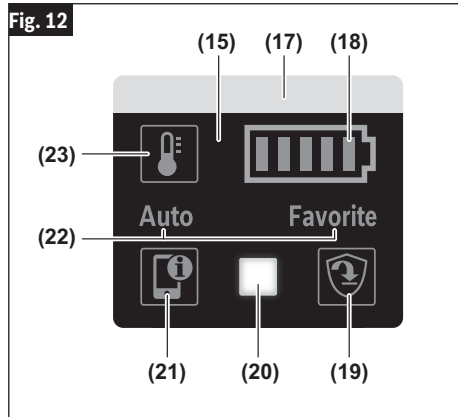
Perçage de maçonnerie

Utilisez un embout à pointe au carbure pour maçonnerie si vous devez couper des blocs de béton de mâchefer, du mortier, de pierre tendre et d'autres matériaux de ce genre. La pression à exercer dépend du type de matériau à percer. Les matériaux tendres nécessitent moins de pression que les matériaux durs pour éviter que la mèche de la perceuse ne tourne à vide.

Consignes de fonctionnement

Interface utilisateur

The user interface (15) is used to select the working mode and to indicate the status of the power tool (Fig. 12).



Indications de fonctionnement

État de fonctionnement de l'outil électrique (17)	Signification/cause	Solution
Vert	Outil prêt à fonctionner	–
Juane	La température critique a été atteinte ou la pile rechargeable est presque complètement déchargée.	Laissez refroidir l'outil électrique, ou remplacez ou rechargez la pile
Rouge	L'outil a surchauffé ou la pile rechargeable est complètement déchargée.	Laissez refroidir l'outil électrique, ou remplacez ou rechargez la pile
Rouge	Le sélecteur d'impact/de mode a été activé pendant le fonctionnement.	Mettez l'outil électrique hors tension, puis à nouveau sous tension.
	Le moteur est bloqué, la pile est insuffisamment chargée.	Chargez la pile ou utilisez le type de pile recommandé
	Erreur générale	– Éteignez et rallumez l'outil électrique, ou retirez la pile et remettez-la en place. Si l'erreur persiste : – Envoyez l'outil électrique au service après-vente.
Clignotant en rouge – En combinaison avec l'indicateur de contrôle du risque de choc en retour (19)	Le contrôle du risque de choc en retour est déclenché.	Mettez l'outil électrique hors tension, puis à nouveau sous tension.
Clignotant en bleu	L'outil électrique est connecté à un appareil mobile via Bluetooth®. ou les paramètres sont en train d'être transférés	–

Consignes de fonctionnement

Témoin d'état de charge des piles (interface) (18)	Signification/cause	Solution
Vert (2 à 5 barres)	Pile chargée	–
Jaune (1 barre)	La pile est presque complètement déchargée	Remplacez la pile ou rechargez-la très bientôt.
Rouge (1 barre)	Pile déchargée	Remplacez la pile ou rechargez-la.

Indicateur de température (23)	Signification/cause	Solution
Juane	La température de fonctionnement de la pile ou de l'outil électrique a considérablement augmenté, les performances sont réduites.	Laissez l'outil électrique refroidir ou remplacez la pile surchauffée.
Rouge	La température de fonctionnement de la pile ou de l'outil électrique a été dépassée ; l'outil électrique s'éteint par mesure de précaution	Laissez l'outil électrique refroidir ou remplacez la pile surchauffée.

Indicateur d'état de fonctionnement du téléphone intelligent (21)	Signification/cause	Solution
Blanc	Informations importantes disponibles (par exemple, avertissement relatif à la température)	Lisez le message sur le téléphone intelligent.

Bouton de mode de travail (20)

Sélection du mode de travail :

Appuyez sur le bouton **(20)** pour sélectionner le mode de travail à plusieurs reprises jusqu'à ce que le mode de travail souhaité s'allume.

Remarque : En mode de travail Favori, les fonctions sont configurées via l'application du téléphone intelligent, tandis que les fonctions sont prédéfinies dans le mode de travail **Auto**.

Indicateur du mode de travail (22)	Fonctions
Auto s'allume	Dans le mode de travail Auto, l'outil électrique atteint ses performances maximales. – 100 % de la vitesse maximale – Arrêt rapide (contrôle du risque de choc en retour)
Favorite s'allume	Dans le mode de travail Favori, l'outil électrique peut être configuré individuellement via une application du téléphone intelligent. – La vitesse peut être configurée selon plusieurs paramètres pour différentes applications : vitesse lente/moyenne/rapide (100 % de la vitesse maximale)

Connectivité

Bluetooth®

⚠ AVERTISSEMENT **Contrôlez toujours le réglage des paramètres de l'outil avant de vous en servir. Ce réglage peut être différent de la dernière fois que l'outil a été utilisé.** Le module de connectivité permet le transfert de données et de paramètres grâce à la technologie sans fil Bluetooth®. Après avoir installé le module, certains paramètres de réglage de l'outil peuvent être changés à distance par un dispositif Bluetooth® apparié, avec l'appli installée de l'utilisateur.

⚠ AVERTISSEMENT **Cet outil est équipé d'une interface radio. Il faut observer les restrictions d'utilisation locales, p. ex., dans les établissements militaires ou les hôpitaux.** Les émetteurs ont démontré une capacité d'interférence non intentionnelle avec d'autres dispositifs.

LA SÉCURITÉ AVANT TOUT, I

POUR ASSURER SA SÉCURITÉ, L'UTILISATEUR DOIT FAIRE PREUVE DE BON SENS ET DE VIGILANCE PENDANT TOUT LE TEMPS DURANT LEQUEL IL SE SERT DE L'OUTIL.

Mise en garde de la FCC

Le fabricant n'est pas responsable de toute interférence radio à cause de modifications non autorisées apportées à ce matériel. De telles modifications pourraient annuler l'autorisation accordée à l'utilisateur pour utiliser ce matériel.

Cet appareil est conforme à la partie 15 des Règlements de la FCC. Son utilisation est autorisée moyennant le respect des deux conditions suivantes :

- 1) Cet appareil ne doit pas causer d'interférences nuisibles ; et
- 2) Cet appareil doit accepter toute interférence reçue, y compris les interférences qui risquent de causer un fonctionnement indésirable.

REMARQUE ! Cet équipement a été testé et jugé conforme aux limites pour un équipement numérique de Classe B en vertu de la Partie 15 des Règlements de la FCC. Ces limites sont conçues pour assurer une protection raisonnable contre les interférences nuisibles dans une installation résidentielle. Cet équipement émet, utilise et peut rayonner de l'énergie de fréquence radio et, s'il n'est pas installé et utilisé conformément aux instructions, il pourrait causer des interférences nuisibles aux communications radio. Cependant, il n'existe

aucune garantie qu'aucune interférence ne se produira dans une installation particulière. Si cet équipement cause des interférences nuisibles pour la réception de programmes à la radio ou à la télévision, ce qui peut être déterminé en allumant et en éteignant à plusieurs reprises l'équipement en question, l'utilisateur est encouragé à corriger l'interférence en prenant une ou plusieurs des mesures suivantes :

- Réorienter ou déplacer l'antenne de réception.
- Augmenter la distance entre l'équipement et le récepteur.
- Connecter l'équipement à une prise de courant raccordée à un circuit différent de celui auquel le récepteur est connecté.
- Consulter le détaillant ou un technicien radio ou télévision expérimenté pour lui demander conseil.

« Exposition à des signaux de radio fréquence (RF) : Le dispositif sans fil est un émetteur et récepteur radio. Il est conçu et fabriqué pour ne pas dépasser la limite d'émission pour l'exposition à l'énergie de radio fréquence (RF) fixée par le Ministère de la Santé (Canada), Code de sécurité 6. Ces limites font partie des directives globales et des niveaux permis établis d'énergie RF pour l'ensemble de la population.

Ces directives sont basées sur les normes de sécurité fixées antérieurement par les organismes internationaux de normalisation. Ces normes comprennent une marge de sécurité substantielle conçue pour assurer la sécurité de tout le monde, quels que soient l'âge et l'état de santé.

Ce dispositif et son antenne ne doivent pas être placés à proximité d'une autre antenne ou d'un autre émetteur, et ils ne doivent pas fonctionner conjointement avec eux.

Industrie Canada

Cette imprimante remplit les conditions d'exemption de licence des charges sur les normes radioélectriques (RSS/CNR) d'Industrie Canada. Son fonctionnement est soumis aux deux conditions suivantes :

- (1) Cet appareil ne doit pas causer d'interférences ; et
- (2) Cet appareil doit accepter toutes les interférences, y compris celles qui sont susceptibles d'entraîner un.

Connectivité

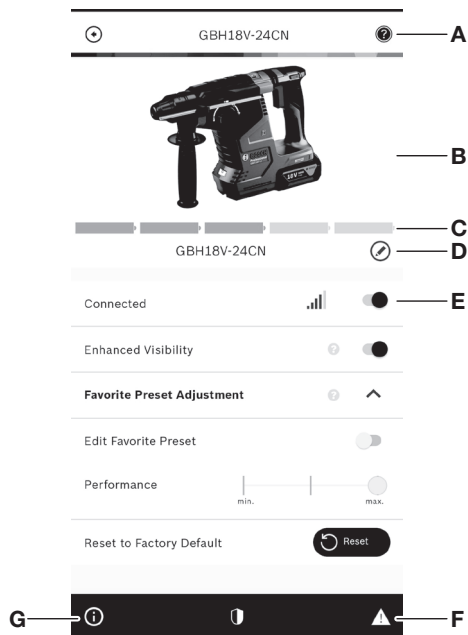
Utilisation de l'appli « Bosch Toolbox »

Installez l'application « Bosch Toolbox » sur votre appareil mobile ou assurez-vous que vous exécutez la dernière version de l'application.

Lancez l'application « Bosch ToolBox » sur votre dispositif mobile et cliquez sur l'icône/la tuile « My Tools ». Suivez les instructions de l'application pour appairer l'outil avec le dispositif mobile.

Après avoir apparié votre outil avec un dispositif mobile, vous pouvez ajuster certaines fonctions ou vérifier le statut de l'outil électrique en utilisant l'appli Bosch Toolbox.

- A. Bouton d'aide** – appuyez sur ce bouton pour afficher l'écran d'aide.
- B. Photo de l'outil** – appuyez sur la photo pour personnaliser la photographie de l'outil.
- C. Statut de charge des piles de l'outil électrique** – le nombre de « piles » vertes indique le niveau de charge estimé pour le bloc-piles.
- D. Surnom de l'outil électrique** – appuyez sur l'icône de crayon pour personnaliser le surnom de l'outil. Vous pouvez faire la même chose lorsque vous changez la photo de l'outil.
- E. Barre de statut de connexion** – Ici vous pouvez voir la force de la connexion (signal) indiquée par des barres verticales. Vous pouvez utiliser l'interrupteur à bascule pour déconnecter l'outil de votre dispositif mobile.
- F. Alertes relatives à l'outil** – Appuyez sur « triangle d'alertes » pour afficher toutes les alertes reçues par l'outil.
- G. Bouton Info** – Affiche les informations et spécifications de l'outil.



Extraction de la poussière

Pour les applications de perçage seulement :

Les attachements d'extraction de la poussière HDC200, HDC250 Bosch sont conçus pour être utilisés dans des applications de perçage de matériaux tels que du béton et de la maçonnerie.

Capacité de perçage	
HDC 200	HDC 250
6 - 35mm (¼" - 13/8")	57 - 127mm (2¼" - 5")
66.7mm (25/8") maximum*	152mm (6") maximum**
* La brosse circulaire 2 doit être retirée pour les diamètres de plus de 35mm (13/8").	** La brosse circulaire 2 doit être retirée pour les diamètres de plus de 127mm (5").

Le modèle **HDC200** est optimisé en vue d'utilisation avec des mèches de diamètre compris entre 1/4 po et 1-3/8 po. Le diamètre de la mèche ne doit pas dépasser 2-5/8 po. En cas d'utilisation avec la couronne à brosse (2), le diamètre de la mèche ne doit pas dépasser 1-3/8 po.

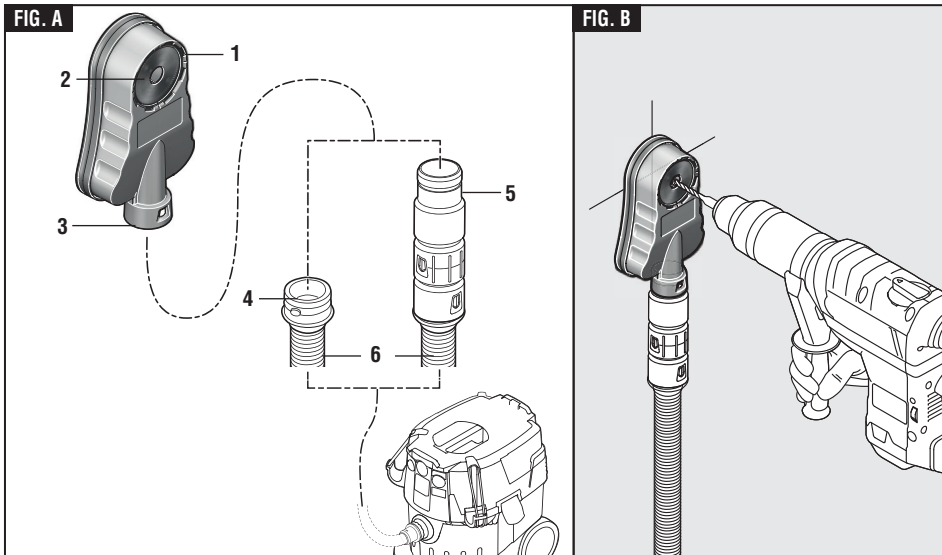
Le modèle **HDC250** est conçu pour être utilisé avec des mèches de grand diamètre, y compris des mèches pointes diamantées et au carbure. Il est optimisé en vue d'utilisation avec des mèches de diamètre compris entre 2-1/4 po et 5 po. Le diamètre de la mèche ne doit pas dépasser 6 po. En cas d'utilisation avec la couronne à brosse (2), le diamètre de la mèche ne doit pas dépasser 5 po.

Insérez le tuyau flexible de l'aspirateur (6) provenant de l'extracteur de poussière/de l'aspirateur dans l'orifice de dépoussiérage (3) du système d'extraction de la poussière (Fig. A).

L'extracteur de poussière/l'aspirateur Bosch comporte deux méthodes pour raccorder le tuyau flexible à l'attachement d'extraction de la poussière : le suceur à manchon (5) et le connecteur encliquetable (4). Pour utiliser le suceur à manchon, faites glisser le suceur dans l'orifice de dépoussiérage de l'attachement. Pour utiliser le connecteur encliquetable afin de réaliser un raccordement plus sécurisé, retirez le suceur en caoutchouc 5 du tuyau flexible de l'aspirateur (6). Enfoncez le connecteur encliquetable dans l'orifice de dépoussiérage (3) jusqu'à ce que vous entendiez un déclic (Fig. A).

Des adaptateurs d'orifices de dépoussiérage sont également disponibles pour connecter l'accessoire d'extraction de poussière Bosch à n'importe quel tuyau flexible d'aspirateur de taille standard. Voir Boschtools.com pour plus de détails.

Mettez l'extracteur de poussière/l'aspirateur en marche et placez l'attachement (1) sur le mur (ou sur le sol), au-dessus de l'emplacement de perçage désiré de façon que le centre du trou soit aligné sur le centre de l'ouverture de la couronne à brosse (2). **Remarque** : la force d'aspiration provenant de l'extracteur de poussière/de l'aspirateur maintiendra l'attachement en place sur la surface de travail. Placez la mèche dans l'ouverture de la couronne à brosse à l'endroit désiré pour le perçage, et percez le trou désiré (Fig. B). Dans



Extraction de la poussière

certaines situations, lorsqu'il est essentiel de maintenir la mèche dans une position très précise, commencez par placer la mèche dans l'ouverture de la couronne à brosse (2) dans l'attachement (1), puis positionnez la pointe de la mèche à l'endroit désiré pour le perçage. Suivez toutes les instructions d'utilisation de l'outil et toutes les consignes de sécurité y afférentes.

Remarque : pour obtenir les meilleurs résultats, laissez l'outil en marche même pendant que vous retirez la mèche du trou. La combinaison de l'aspiration et du mouvement de rotation de la mèche aide à retirer la plus grande partie de la poussière du trou.

Voir le mode d'emploi Bosch HDC200, HDC250 pour plus de détails.

Entretien

⚠ AVERTISSEMENT

Pour éviter les accidents, débranchez toujours l'outil et/ou le chargeur de la source de courant avant de nettoyer.

Service

⚠ AVERTISSEMENT

IL N'EXISTE À L'INTÉRIEUR AUCUNE

PIÈCE SUSCEPTIBLE D'ÊTRE ENTRE TENUE PAR L'UTILISATEUR. L'entretien préventif exécuté par des personnes non autorisés peut entraîner un positionnement erroné des composants et des fils internes, ce qui peut présenter de graves dangers. Nous recommandons de confier toute intervention d'entretien sur l'outil à un centre de service-usine Bosch ou à un centre de service après-vente Bosch agréé. **TECHNICIENS :** Débranchez l'outil et/ou le chargeur de la source de courant avant d'entretenir.

Remplacement de la pile bouton intégrée

⚠ AVERTISSEMENT

La pile bouton doit toujours être remplacée par une pile bouton du même type.

L'utilisation d'une autre pile bouton peut endommager l'outil et entraîner d'autres dommages matériels et corporels.

Vous serez averti(e) via l'application Bosch Toolbox si la pile bouton est trop faible ou si elle est déchargée. Le remplacement de la pile bouton doit être effectué par Bosch ou par un centre de service après-vente autorisé à travailler avec les outils électriques Bosch.

Piles

Faire attention aux blocs-piles qui approchent la fin de leur vie. Si vous remarquez une diminution dans les performances de votre outil ou une durée de fonctionnement réduite de manière significative entre charges, il est temps de remplacer le bloc-piles. S'il n'est pas remplacé, il se peut qu'il endommage le chargeur ou que l'outil fonctionne incorrectement.

Graissage de l'outil

Votre outil Bosch a été graissé de manière appropriée et il est prêt à l'usage.

Moteurs

Le moteur de votre outil a été conçu pour de nombreuses heures d'utilisation fiable. Pour maintenir l'efficacité maximale du moteur, nous recommandons de l'examiner tous les six mois. Seul un moteur de remplacement Bosch authentique, conçu spécialement pour votre outil, doit être utilisé.

Nettoyage

⚠ MISE EN GARDE

Certains agents de nettoyage et certains dissolvants abîment les pièces en plastique.

Parmi ceux-ci se trouvent: l'essence, le tétrachlorure de carbone, les dissolvants de nettoyage chlorés, l'ammoniaque ainsi que les détergents domestiques qui en contiennent.

Les prises d'air et les leviers de commutation doivent être gardés propres et exempts de corps étrangers. Ne tentez pas de nettoyer en insérant des objets pointus à travers l'ouverture.

Accessoires

⚠ AVERTISSEMENT N'utilisez pas d'attache-ments/d'accessoires autres que ceux qui sont spécifiés par Bosch. L'utilisation d'attache-ments/d'accessoires non spécifiés pour une utilisation avec l'outil décrit dans ce mode d'emploi peut entraîner des dommages à l'outil, des dommages matériels ou des blessures corporelles.

Ranger les accessoires dans un environnement sec et tempéré pour éviter les risques de corrosion et de détérioration.

Équipement standard	Accessoire en option
<ul style="list-style-type: none">- Poignée auxiliaire 360°- Guide de profondeur	<ul style="list-style-type: none">- Mandrin 3 mors- Attache-ments d'extraction de la poussière



Símbolos de seguridad

Las definiciones que aparecen a continuación describen el nivel de gravedad de cada palabra de señal de seguridad. Por favor, lea el manual y preste atención a estos símbolos.

	Éste es el símbolo de alerta de seguridad. Se utiliza para alertarle a usted de posibles peligros de lesiones corporales. Obedezca todos los mensajes de seguridad que sigan a este símbolo para evitar posibles lesiones o muerte.
	PELIGRO indica una situación peligrosa que, si no se evita, causará la muerte o lesiones graves.
	ADVERTENCIA indica una situación peligrosa que, si no se evita, podría causar la muerte o lesiones graves.
	PRECAUCIÓN indica una situación peligrosa que, si no se evita, podría causar lesiones leves o moderadas.

Advertencias generales de seguridad para herramientas mecánicas

ADVERTENCIA Lea todas las advertencias de seguridad, instrucciones, ilustraciones y especificaciones suministradas con esta herramienta eléctrica. Si no se siguen todas las instrucciones que se indican a continuación, es posible que el resultado sea descargas eléctricas, incendio y/o lesiones graves.

GUARDE TODAS LAS ADVERTENCIAS E INSTRUCCIONES PARA REFERENCIA FUTURA

La expresión "herramienta mecánica" en las advertencias se refiere a su herramienta mecánica alimentada por la red eléctrica (herramienta alámbrica) o su herramienta mecánica alimentada por baterías (herramienta inalámbrica).

1. Seguridad del área de trabajo

- a. **Mantenga el área de trabajo limpia y bien iluminada.** Las áreas desordenadas u oscuras invitan a que se produzcan accidentes.
- b. **No utilice herramientas mecánicas en atmósferas explosivas, como por ejemplo en presencia de líquidos, gases o polvos inflamables.** Las herramientas mecánicas generan chispas que pueden incendiar el polvo o los vapores.
- c. **Mantenga alejados a los niños y a las personas que estén presentes mientras esté utilizando una herramienta mecánica.** Las distracciones pueden hacerle perder el control de la herramienta.

2. Seguridad eléctrica

- a. **Los enchufes de las herramientas mecánicas deben coincidir con el tomacorriente. No modifique nunca el enchufe de ningún modo. No use enchufes adaptadores con herramientas mecánicas conectadas a tierra (puestas a tierra).** Los enchufes no modificados y los tomacorrientes coincidentes reducirán el riesgo de sacudidas eléctricas.
- b. **Evite el contacto del cuerpo con las superficies conectadas o puestas a tierra, tales como tuberías, radiadores, estufas y refrigeradores.** Hay un aumento del

riesgo de sacudidas eléctricas si el cuerpo del operador se conecta o pone a tierra.

- c. **No exponga las herramientas mecánicas a la lluvia o a condiciones mojadas.** La entrada de agua en una herramienta mecánica aumentará el riesgo de que se produzcan sacudidas eléctricas.
- d. **No maltrate el cordón de energía. No use nunca el cordón para transportar la herramienta mecánica, tirar de ella o desenchufarla. Mantenga el cordón alejado del calor, el aceite, los bordes afilados o las piezas móviles.** Los cordones dañados o enganchados aumentan el riesgo de que se produzcan sacudidas eléctricas.
- e. **Cuando utilice una herramienta mecánica en el exterior, use un cordón de extensión adecuado para uso a la intemperie.** La utilización de un cordón adecuado para uso a la intemperie reduce el riesgo de que se produzcan sacudidas eléctricas.
- f. **Si es inevitable utilizar una herramienta mecánica en un lugar húmedo, utilice una fuente de energía protegida por un interruptor de circuito accionado por corriente de pérdida a tierra (GFCI).** El uso de un GFCI reduce el riesgo de sacudidas eléctricas.

3. Seguridad personal

- a. **Manténgase alerta, fíjese en lo que está haciendo y use el sentido común cuando esté utilizando una herramienta mecánica. No use una herramienta mecánica**



Advertencias generales de seguridad para herramientas mecánicas

- cuando esté cansado o bajo la influencia de drogas, alcohol o medicamentos.** Un momento de distracción mientras esté utilizando herramientas mecánicas podría causar lesiones corporales graves.
- b. Use equipo de protección personal. Use siempre protección de los ojos.** El equipo de protección, como por ejemplo una máscara antipolvo, calzado de seguridad antideslizante, casco o protección de oídos, utilizado para las condiciones apropiadas, reducirá las lesiones corporales.
 - c. Evite el arranque accidental. Asegúrese de que el interruptor esté en la posición de apagado antes de conectar la herramienta a la fuente de energía y / o al paquete de batería, levantar la herramienta o transportarla.** Transportar herramientas mecánicas con un dedo en el interruptor o encender herramientas mecánicas que tengan el interruptor en la posición de encendido invita a que se produzcan accidentes.
 - d. Quite todas las llaves de ajuste o de tuerca antes de encender la herramienta mecánica.** Una llave de tuerca o de ajuste que se deje colocada en una pieza giratoria de la herramienta mecánica podría causar lesiones corporales.
 - e. No intente alcanzar demasiado lejos. Mantenga un apoyo de los pies y un equilibrio apropiados en todo momento.** Esto permite controlar mejor la herramienta mecánica en situaciones inesperadas.
 - f. Vístase adecuadamente. No use ropa holgada ni alhajas holgadas. Mantenga el pelo y la ropa de las piezas móviles.** La ropa holgada, las alhajas holgadas o el pelo largo pueden quedar atrapados en las piezas móviles.
 - g. Si se proporcionan dispositivos para la conexión de instalaciones de extracción y recolección de polvo, asegúrese de que dichas instalaciones estén conectadas y se usen correctamente.** El uso de dispositivos de recolección de polvo puede reducir los peligros relacionados con el polvo.

4. Uso y cuidado de las herramientas mecánicas

- a. No fuerce la herramienta mecánica. Use la herramienta mecánica correcta para la aplicación que desee realizar.** La herramienta mecánica correcta hará el trabajo mejor y con más seguridad a la capacidad nominal para la que fue diseñada.
- b. No use la herramienta mecánica si el interruptor no la enciende y apaga.** Toda herramienta mecánica que no se pueda controlar con el interruptor es peligrosa y debe ser reparada.
- c. Desconecte el enchufe de la fuente de alimentación y/o retire el paquete de batería de la herramienta eléctrica antes de hacer cualquier ajuste, cambiar accesorios**

o almacenar herramientas eléctricas. Dichas medidas preventivas de seguridad reducen el riesgo de arrancar accidentalmente la herramienta mecánica.

- d. Guarde las herramientas que no esté usando fuera del alcance de los niños y no deje que personas que no estén familiarizadas con la herramienta mecánica o con estas instrucciones utilicen la herramienta.** Las herramientas mecánicas son peligrosas en manos de usuarios que no hayan recibido capacitación.
- e. Mantenga las herramientas eléctricas y sus accesorios. Compruebe si hay piezas móviles desalineadas o atoradas, si hay piezas rotas y cualquier otra situación que pueda afectar al funcionamiento de la herramienta eléctrica. Si la herramienta eléctrica está dañada, haga que sea reparada antes de utilizarla.** Muchos accidentes son causados por herramientas mecánicas mantenidas deficientemente.
- f. Mantenga las herramientas de corte afiladas y limpias.** Es menos probable que las herramientas de corte mantenidas apropiadamente, con bordes de corte afilados, se atoren, y dichas herramientas son más fáciles de controlar.
- g. Utilice la herramienta mecánica, los accesorios, las brocas de la herramienta, etc., de acuerdo con estas instrucciones, teniendo en cuenta las condiciones de trabajo y el trabajo que se vaya a realizar.** El uso de la herramienta mecánica para operaciones distintas a aquellas para las que fue diseñada podría causar una situación peligrosa.

5. Uso y cuidado de las herramientas alimentadas por baterías

- a. Recargue las baterías solamente con el cargador especificado por el fabricante.** Un cargador que es adecuado para un tipo de paquete de batería puede crear un riesgo de incendio cuando se utiliza con otro paquete de batería.
- b. Utilice las herramientas mecánicas solamente con paquetes de batería designados específicamente.** El uso de cualquier otro paquete de batería puede crear un riesgo de lesiones e incendio.
- c. Cuando el paquete de batería no se esté usando, manténgalo alejado de otros objetos metálicos, tales como sujetapapeles, monedas, llaves, clavos, tornillos u otros objetos metálicos pequeños que pueden hacer una conexión de un terminal a otro.** Si se cortocircuitan los terminales de la batería uno con otro, se pueden causar quemaduras o un incendio.
- d. En condiciones abusivas, es posible que se eyecte líquido de la batería. Evite el contacto. Si se produce un contacto accidental, enjuáguese con agua. Si el líquido entra en contacto con los ojos, obtenga además ayuda médica.** El líquido que salga eyectado de la batería puede causar irritación o quemaduras.

Advertencias generales de seguridad para herramientas mecánicas

- e. **No utilice un paquete de batería o una herramienta que hayan sido dañados o modificados.** Es posible que las baterías dañadas o modificadas exhiban un comportamiento impredecible que cause un incendio, una explosión o riesgos de lesiones.
- f. **No exponga un paquete de batería o una herramienta a un fuego o una temperatura excesiva.** Es posible que la exposición a un fuego o una temperatura superior a 265 °F cause una explosión.
- g. **Siga todas las instrucciones de carga y no cargue el paquete de batería ni la herramienta fuera del intervalo de temperatura especificado en las instrucciones.** Es posible que realizar una carga incorrectamente o a temperaturas que estén fuera del intervalo especificado dañe la batería y aumente el riesgo de incendio.

6. Servicio de ajustes y reparaciones

- a. **Haga que su herramienta mecánica reciba servicio de un técnico de reparaciones calificado, utilizando únicamente piezas de repuesto idénticas.** Esto asegurará que se mantenga la seguridad de la herramienta mecánica.
- b. **No haga nunca servicio de ajustes y reparaciones de paquetes de batería dañados.** El servicio de ajustes y reparaciones de los paquetes de batería deberá ser realizado únicamente por el fabricante o por proveedores de servicio autorizados.

Advertencias de seguridad para atornilladores inalámbricos industriales

Agarre la herramienta eléctrica por las superficies de agarre con aislamiento cuando realice una operación en la que el sujetador pueda entrar en contacto con cables ocultos. Los sujetadores que entren en contacto con un cable con corriente podrán hacer que las partes metálicas de la herramienta que están al descubierto lleven corriente y eso podría causar una descarga eléctrica al operador.

Use detectores apropiados para determinar si hay líneas de servicios públicos ocultas en el área de trabajo o llame a la compañía local de servicios públicos para obtener asistencia. El contacto con líneas eléctricas puede causar un incendio y descargas eléctricas. Si se daña una tubería de gas, se puede causar una explosión. La penetración en una tubería de agua causa daños materiales.

Apague inmediatamente la herramienta eléctrica cuando el inserto de la herramienta se atore. Está preparado para una alta fuerza de torsión de reacción que puede causar retroceso. El inserto de la herramienta se atora cuando:

- la herramienta eléctrica es sometida a sobrecarga o
- se engancha haciendo cuña en la pieza de trabajo.

Sujete la herramienta con un agarre firme. Puede ocurrir brevemente una alta fuerza de torsión de reacción al apretar y aflojar tornillos.

Sujete firmemente la pieza de trabajo. Una pieza de trabajo sujeta con dispositivos de fijación o en una prensa de tornillo se sujeta de manera más segura que con la mano.

Esperese siempre hasta que la herramienta se haya detenido por completo antes de dejarla en algún lugar. El inserto de la herramienta puede atorarse y causar pérdida de control de la herramienta eléctrica.

Antes de realizar cualquier trabajo en la herramienta (p. ej., mantenimiento, cambio de herramienta, etc.), así como durante el transporte y el almacenamiento, ponga el conmutador del sentido de rotación en la posición central. El accionamiento accidental del interruptor de encendido y apagado puede causar lesiones.

Utilice únicamente brocas de la herramienta que no tengan defectos ni estén desgastadas. Las brocas de la herramienta que estén defectuosas se pueden romper, por ejemplo, y causar lesiones o daños.

Cuando trabaje con una herramienta de aplicación, preste atención a que dicha herramienta esté firmemente asentada sobre el portaherramienta. Cuando la herramienta de aplicación no esté firmemente conectada con el portaherramienta, puede aflojarse de nuevo y no ser controlada.

Tenga cuidado cuando haya tornillos largos atornillados. Dependiendo del tipo de tornillo y la broca de la herramienta que se utilice, existe un peligro de resbalamiento. A menudo los tornillos largos son difíciles de controlar y existe un peligro de que la broca de la herramienta resbale hasta separarse de la cabeza del sujetador y cause lesiones.

Preste atención al sentido de rotación que esté seleccionado antes de encender la herramienta eléctrica. Por ejemplo, cuando se vaya a aflojar un tornillo y el sentido de rotación esté ajustado de manera que el tornillo se apriete, esto puede causar una fuerte reacción de fuerza de torsión de la herramienta eléctrica.

No utilice esta herramienta como taladro. Las herramientas equipadas con embragues de apagado no están diseñadas para aplicaciones de taladrado. El embrague las puede apagar automáticamente y sin avisar.

No abra la batería. Peligro de cortocircuito.

Advertencias de seguridad para atornilladores inalámbricos industriales

Proteja la batería contra el calor, p. ej., contra la luz solar intensa continua, el fuego, el agua y la humedad. Peligro de explosión.

En caso de daños y uso indebido de la batería, es posible que se emitan vapores. Ventile el área y obtenga ayuda médica en caso de quejas. Los vapores pueden irritar el sistema respiratorio.

Utilice la batería solamente en combinación con su herramienta eléctrica Bosch. Esta medida por sí sola protege la batería contra una sobrecarga peligrosa.

Utilice únicamente baterías Bosch originales con la tensión indicada en la placa de especificaciones de su herramienta eléctrica. Cuando utilice otras baterías, p. ej., imitaciones, baterías reacondicionadas u otras marcas, existe un peligro de lesiones, así como de daños materiales causados por una explosión de las baterías.

La batería puede resultar dañada por objetos puntiagudos, tales como clavos o destornilladores, o por alguna fuerza aplicada externamente. Puede ocurrir un cortocircuito interno y la batería puede arder, humear, explotar o sobrecalentarse.

Advertencias de seguridad adicionales

Un GFCI y los dispositivos de protección personal, como guantes de goma y calzado de goma de electricista, mejorarán más su seguridad personal.

No use herramientas mecánicas con capacidad nominal solamente para CA con una fuente de energía de CC. Aunque pueda parecer que la herramienta funciona correctamente, es probable que los componentes eléctricos de la herramienta con capacidad nominal para CA fallen y creen un peligro para el operador.

Mantenga los mangos secos, limpios y libres de aceite y grasa. Las manos resbalosas no pueden controlar de modo seguro la herramienta mecánica.

Use abrazaderas u otro modo práctico de sujetar y sostener la pieza de trabajo en una plataforma estable. Si se sujeta la pieza de trabajo con la mano o contra el cuerpo, se crea una situación inestable que podría causar pérdida de control.

Desarrolle un programa de mantenimiento periódico de la herramienta. Cuando limpie una herramienta, tenga cuidado de no desmontar ninguna de sus partes, ya que los cables internos podrían reubicarse incorrectamente o pellizcarse, o los resortes de retorno de los protectores de seguridad podrían montarse incorrectamente. Ciertos agentes de limpieza, tales como gasolina, tetracloruro de carbono, amoníaco, etc., podrían dañar las piezas de plástico.

Asegúrese de que el interruptor esté en la posición de apagado antes de introducir el paquete de batería. Si se introduce el paquete de batería en herramientas mecánicas que tengan el interruptor en la posición de encendido, se invita a que se produzcan accidentes.







⚠️ ADVERTENCIA Cierta polvo generado por el lijado, aserrado, amolado y taladrado mecánicos, y por otras actividades de construcción, contiene agentes químicos que se sabe que causan cáncer, defectos de nacimiento u otros daños sobre la reproducción. Algunos ejemplos de estos agentes químicos son:

- Plomo de pinturas a base de plomo,
- Sílice cristalina de ladrillos y cemento y otros productos de mampostería, y
- Arsénico y cromo de madera tratada químicamente.

Su riesgo por causa de estas exposiciones varía, dependiendo de con cuánta frecuencia realice este tipo de trabajo. Para reducir su exposición a estos agentes químicos: trabaje en un área bien ventilada y trabaje con equipo de seguridad aprobado, como por ejemplo máscaras antipolvo que estén diseñadas especialmente para impedir mediante filtración el paso de partículas microscópicas.











Símbolos

IMPORTANTE: Es posible que algunos de los símbolos siguientes se usen en su herramienta. Por favor, estúdielos y aprenda su significado. La interpretación adecuada de estos símbolos le permitirá utilizar la herramienta mejor y con más seguridad.

Símbolo	Désignación / Explicación
V	Volt (tensión)
A	Ampere (corriente)
Hz	Hertz (frecuencia, ciclos por segundo)
W	Watt (potencia)
kg	Kilogramo (peso)
min	Minuto (tiempo)
s	Segundo (tiempo)
∅	Diámetro (tamaño de las brocas taladradoras, muelas, etc)
n_0	Velocidad sin carga (velocidad rotacional sin carga)
n	Velocidad nominal (máxima velocidad obtenible)
.../min	Revoluciones o alternación por minuto (revoluciones, golpes, velocidad de superficie, órbitas, etc., por minuto)
0	Posición "off" (velocidad cero, par motor cero...)
1, 2, 3, ... I, II, III,	Graduaciones del selector (graduaciones de velocidad, par motor o posición. Un número más alto significa mayor velocidad)
	Selector infinitamente variable con apagado (la velocidad aumenta desde la graduación de 0)
	Flecha (Acción en la dirección de la flecha)
~	Corriente alterna (tipo o una característica de corriente)
≡	Corriente continua (tipo o una característica de corriente)
	Corriente alterna o continua (tipo o una característica de corriente)
	Construcción de clase II (designa las herramientas de construcción con aislamiento doble)
	Terminal de toma de tierra (terminal de conexión a tierra)
	Símbolo de advertencia (Alerta al usuario sobre mensajes de advertencia)

Símbolos

IMPORTANTE: Es posible que algunos de los símbolos siguientes se usen en su herramienta. Por favor, estúdielos y aprenda su significado. La interpretación adecuada de estos símbolos le permitirá utilizar la herramienta mejor y con más seguridad.

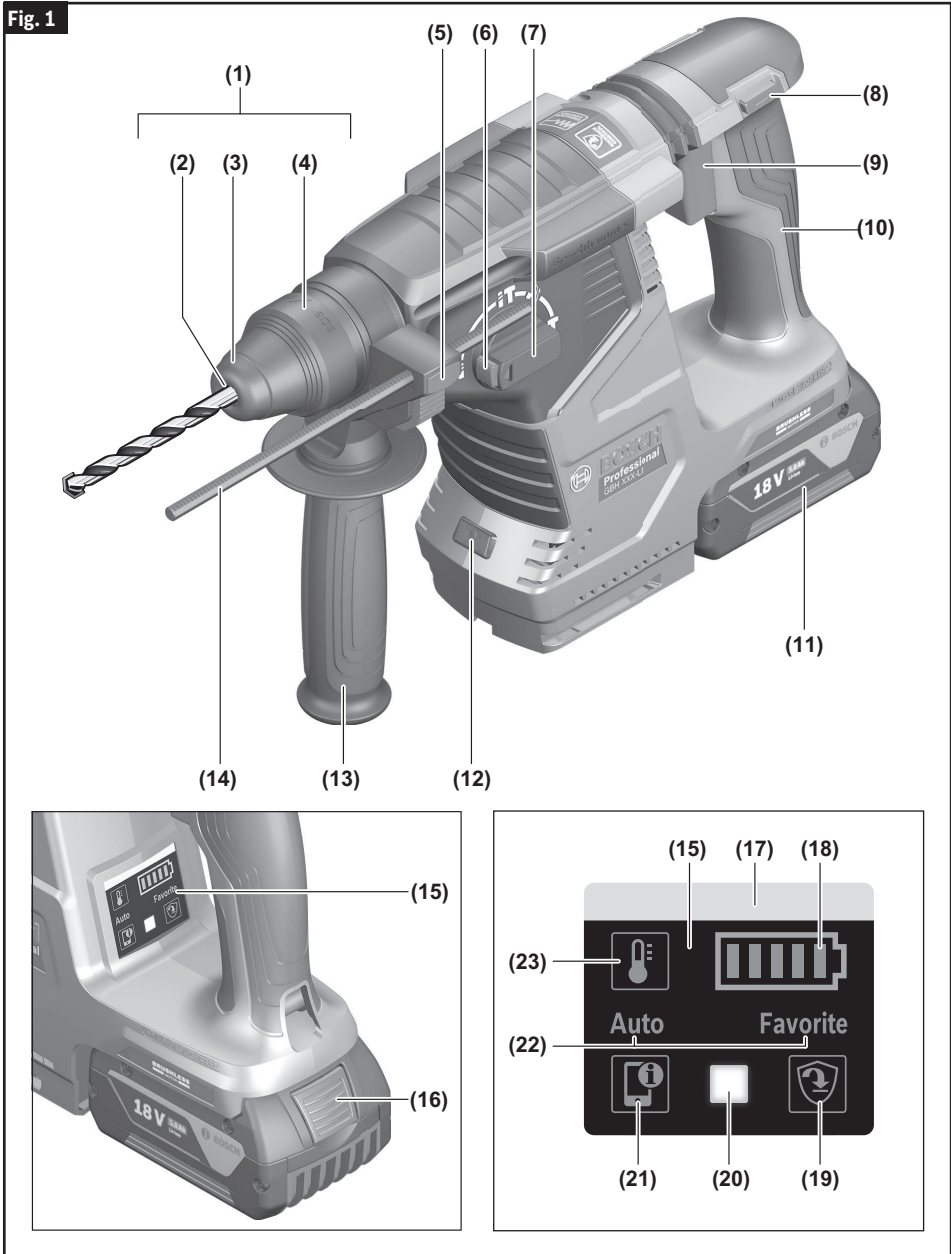
Símbolo	Désignación / Explicación
	Alerta al usuario para que lea el manual.
	Alerta al usuario para que use protección de los ojos.
	Alerta al usuario para que use protección respiratoria.
	Alerta al usuario para que use protección de la audición.
	Alerta al usuario para que use protección de los ojos, respiratoria y de la audición.
	Este símbolo indica que Underwriters Laboratories ha catalogado esta herramienta indicando que cumple con las normas estadounidenses y canadienses.
	Este símbolo indica que esta herramienta está catalogada por la Canadian Standards Association.
	Este símbolo indica que la Canadian Standards Association ha catalogado esta herramienta indicando que cumple con las normas estadounidenses y canadienses.
	Este símbolo indica que Intertek Testing Services ha catalogado esta herramienta indicando que cumple con las normas estadounidenses y canadienses.
	Designa el programa de reciclaje de baterías de Li-ion.

Descripción funcional y especificaciones

⚠ ADVERTENCIA Desconecte el paquete de batería de la herramienta antes de realizar cualquier ensamble, ajuste o cambio de accesorios. Dichas medidas preventivas de seguridad reducen el riesgo de arrancar la herramienta accidentalmente.

Taladros de percusión sin cordón GBH18V-24C

Fig. 1



Descripción funcional y especificaciones

- | | |
|---|--|
| <ul style="list-style-type: none"> 1 Mandril de taladro SDS plus 2 Portaherramienta SDS plus 3 Tapa de protección contra el polvo 4 Manguito de fijación 5 Botón de ajuste del tope de profundidad 6 Botón de liberación del interruptor selector de impacto/modo 7 Interruptor selector de impacto/modo 8 Interruptor del sentido de rotación 9 Interruptor de encendido y apagado 10 Mango (superficie de agarre con aislamiento) 11 Batería recargable 12 Luz de trabajo 13 Mango auxiliar (superficie de agarre con aislamiento) | <ul style="list-style-type: none"> 14 Tope de profundidad 15 Interfaz del usuario 16 Botón de liberación de la batería <p>Interfaz del usuario</p> <ul style="list-style-type: none"> 17 Indicador de estado de la herramienta eléctrica 18 Indicador de carga de la batería 19 Indicador de apagado rápido 20 Botón de selección del modo de trabajo 21 Indicador de teléfono inteligente 22 Indicador de modo de trabajo 23 Indicador de temperatura 24 Soporte universal con vástago SDS plus |
|---|--|

Número de modelo	GBH18V-24C
Tensión nominal	18 V
Estilo de vástago	SDS-plus®
Diámetro de taladrado máximo en: Concreto Acero	1" (26mm) 1/2" (13mm)
Temperatura permitida de la batería durante el proceso de carga	+32...+113°F (0...+45C)
Temperatura ambiente permitida durante la utilización y el almacenamiento	-4...+122°F (-20...+50C)
Temperatura ambiente recomendada durante el proceso de carga	+32...+95°F (0...+35°C)

Paquetes de batería/Cargadores de baterías:

Sírvase consultar la lista de baterías/cargadores incluidas con su herramienta.

NOTA: Para obtener las especificaciones de la herramienta, consulte la placa del fabricante colocada en la herramienta.

Ensamblaje

⚠ ADVERTENCIA Desconecte el paquete de batería de la herramienta o ponga el interruptor en la posición bloqueada o de apagado antes de realizar cualquier ensamblaje o ajuste, o cambiar accesorios. Dichas medidas preventivas de seguridad reducen el riesgo de arrancar accidentalmente la herramienta.

Instalación de los accesorios SDS-Plus®

Limpie el extremo del vástago de inserción para retirar cualquier residuo y luego engráselo ligeramente con un aceite o lubricante ligero.

Inserte el accesorio en el mandril a través del escudo anti-polvo, mientras lo gira y empuja hacia dentro hasta que quede fijo automáticamente en la posición correcta. Jale el accesorio hacia fuera para asegurarse de que esté fijo en el interior del mandril (Fig. 2).

NOTA: La alta eficiencia ofrecida por los martillos rotativos sólo se puede obtener si se utilizan accesorios afilados y sin daños. El "costo" de mantener los accesorios afilados y sin daños es sobrecompensado ampliamente por el "tiempo ahorrado" al utilizar la herramienta con accesorios afilados.

Remoción de accesorios SDS-Plus®

⚠ ADVERTENCIA Puede que los accesorios estén calientes después de usarlos. Evite el contacto con la piel y use guantes protectores adecuados o un paño para retirarlos.

Para retirar un accesorio, jale hacia atrás el manguito de fijación y jale la broca hacia delante. Todos los accesorios se deberán limpiar con un paño después de retirarlos (Fig. 3).

Fig. 2

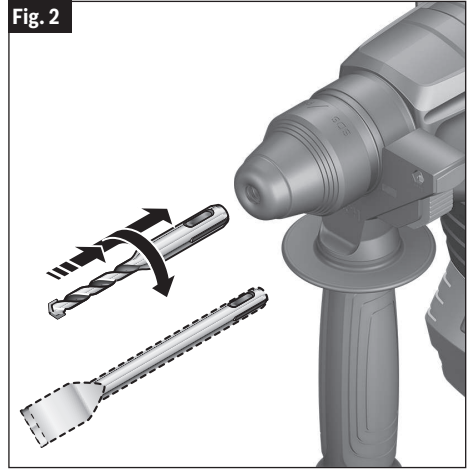
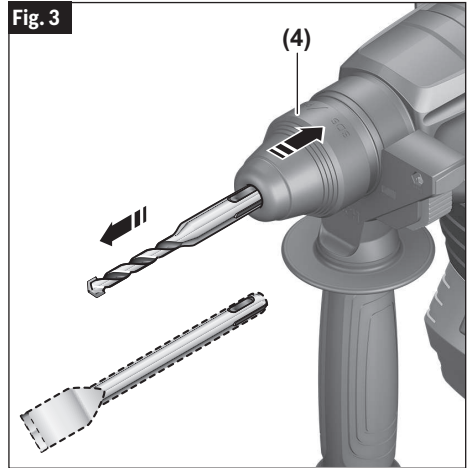


Fig. 3



Ensamblaje

Instalación y remoción del mandril de 3 mordazas (no incluido, disponible como accesorio)

El mandril de 3 mordazas con vástago SDS puede convertir su herramienta para utilizarla con brocas de vástago recto.

Limpe el extremo del vástago de inserción del accesorio para retirar cualquier residuo y luego engráselo ligeramente con un aceite o lubricante ligero.

Inserte el accesorio en el mandril a través del escudo anti-polvo, mientras gira y empuja el accesorio hacia dentro hasta que quede fijo automáticamente en la posición correcta. Jale hacia fuera el accesorio para asegurarse de que esté fijo en el interior del mandril (Fig. 4).

Para retirar el mandril, jale hacia atrás el manguito de fijación (hacia la parte trasera de la herramienta), mientras jala hacia delante el mandril.

Hay una versión de fijación sin llave del mandril de 3 mandibulas disponible para su compra. Sírvase visitar Boschtools.com para obtener detalles.

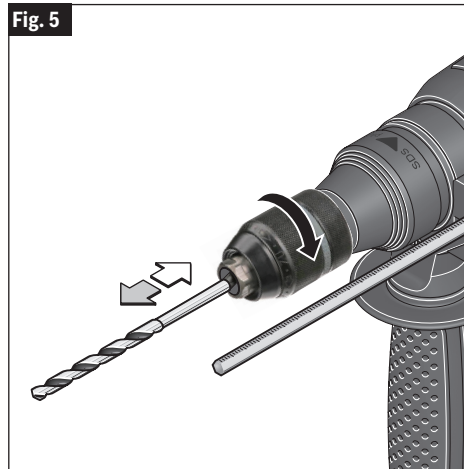
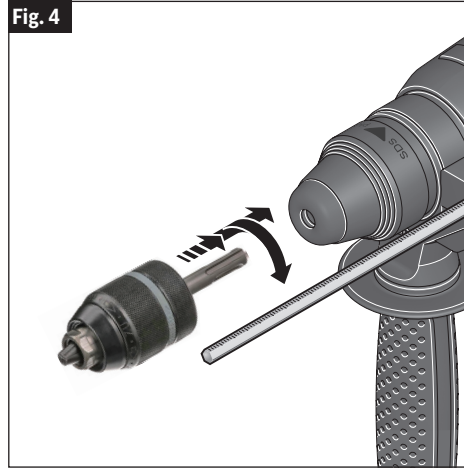
Instalación y remoción de accesorios mandril de 3 mordazas

En el caso de brocas pequeñas, abra las mordazas lo suficiente como para poder insertar la broca hasta las estrías. En el caso de brocas grandes, inserte la broca tanto como se pueda. Centre la broca mientras cierra las mordazas con la mano. Esto posiciona apropiadamente la broca, brindando el máximo contacto entre las mordazas del mandril y el vástago de la broca (Fig. 5).

Para apretar el mandril, inserte la llave en cada uno de los tres agujeros para llave uno tras otro y apriételo firmemente en el sentido de las agujas del reloj.

El mandril se puede liberar usando sólo un agujero.

Nota: El mandril de 3 mordazas está diseñado para utilizarse sólo en el modo de "Taladro solamente". El mandril de 3 mordazas no está diseñado para utilizarse cuando se taladre con acción de percusión.



Ensamblaje

Mango auxiliar

La herramienta se debe soportar con el mango auxiliar, que se puede girar 360°.

Para reposicionar y/o girar el mango, afloje la empuñadura, mueva el mango hasta la posición deseada a lo largo del cilindro y reapriete firmemente la empuñadura (Fig. 6).

Calibre de profundidad

La profundidad de taladrado se puede preajustar y/o repetir utilizando el calibre de profundidad.

Ajuste de la profundidad: Después de instalar el mango auxiliar, asegúrese de que el accesorio se haya insertado completamente en el portaherramienta antes de ajustar el calibre de profundidad (Fig. 7).

Para ajustar la profundidad, presione el botón de liberación del calibre de profundidad, deslice dicho calibre hasta la profundidad deseada y reduzca la presión sobre el botón para bloquear el calibre de profundidad en la posición deseada.

Fig. 6

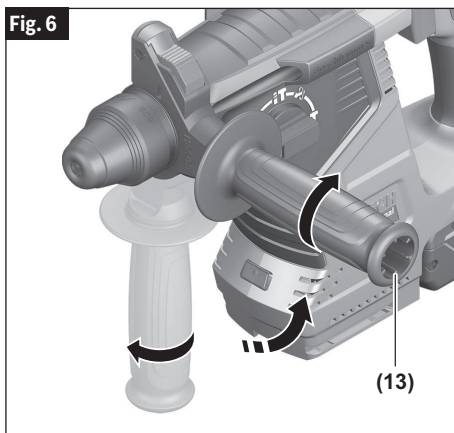
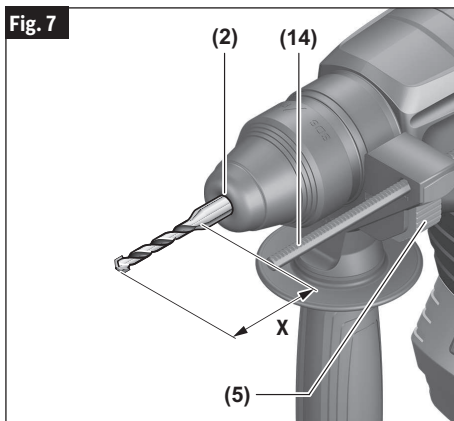


Fig. 7



Instrucciones de funcionamiento

Interruptor gatillo de velocidad variable controlada

⚠ ADVERTENCIA Para reducir el riesgo de lesiones, suspenda inmediatamente el uso de la herramienta si el control de velocidad variable deja de funcionar. Es probable que haya una pérdida subsiguiente de control de encendido y apagado con el gatillo.

La herramienta está equipada con un interruptor gatillo de velocidad variable. La herramienta se puede "ENCENDER" o "APAGAR" apretando o soltando el gatillo. La velocidad se puede ajustar desde las RPM mínimas hasta las RPM máximas indicadas en la placa de especificaciones por medio de la presión que se ejerza sobre el gatillo. Ejercer más presión para aumentar la velocidad y disminuir la presión para reducir la velocidad (Fig. 1).

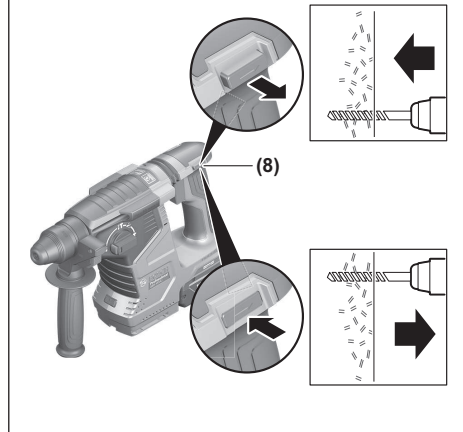
Palanca de avance/inversión y cierre del gatillo

⚠ PRECAUCIÓN No cambie el sentido de rotación hasta que la herramienta se detenga por completo. Un cambio durante la rotación del mandril puede causar daños a la herramienta.

Esta herramienta está equipada con una palanca de avance/inversión y un cierre del gatillo (8) ubicados encima del gatillo (Fig. 8). Esta palanca fue diseñada para cambiar la rotación del mandril y para fijar el gatillo en la posición de "APAGADO" con el fin de ayudar a prevenir arranques accidentales y una descarga accidental de la batería.

Para obtener rotación de avance (con el mandril apuntando de manera que se aleje de usted), mueva la palanca completamente hacia la izquierda. Para obtener rotación inversa, mueva la palanca completamente hacia la derecha. Para activar el cierre del gatillo, mueva la palanca hasta la posición de apagado central.

Fig. 8



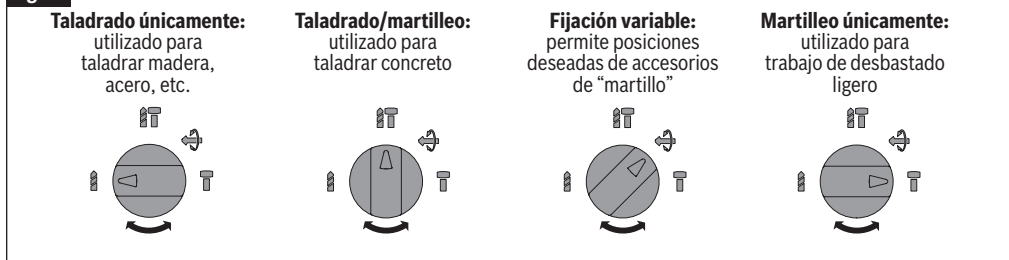
Dial selector de modo

⚠ PRECAUCIÓN No utilice el dial de selección hasta que la herramienta se haya detenido por completo. La realización de cambios durante la rotación del mandril puede causar daños a la herramienta.

El dial selector de modo permite ajustar la herramienta para diversas aplicaciones, tal y como se indica en el siguiente cuadro (Fig. 9).

Cuando utilice brocas de demolición o desbastadoras, tales como puntas de bala, cinceles, brocas planas, gubias, etc., se debe seleccionar el modo de "Martillo solamente".

Fig. 9



Instrucciones de funcionamiento

“Vario-Lock”

La position Vario-Lock est conçue pour emploi avec des embouts burineurs tels que des pointes à tête hémisphérique, des forets plats, des embouts cannelés, etc. Choisissez la position qui est la plus appropriée pour votre activité.

Faites tourner le cadran de réglage du mode pour le mettre dans la position « vario-lock ». Puis faites tourner le manchon de verrouillage avec l'accessoire pour le mettre dans la position désirée. Ensuite, faites tourner le cadran de réglage du mode dans la position « percussion seulement » et faites tourner légèrement le manchon de verrouillage pour qu'il se verrouille automatiquement dans une position définie (Fig. 10).

Embrayage de sécurité

L'outil est muni d'un embrayage de sécurité interne réglé en usine. La broche de sortie cessera de tourner si l'accessoire se coince et cause une surcharge pour l'outil.

Controlé des risques de rebond

La fonctionnalité de fermeture rapide permet un meilleur contrôle et améliore le confort de l'utilisateur. L'outil électrique s'éteint automatiquement en cas de rotation soudaine et inattendue de l'outil autour de l'axe de perçage (par exemple, si la mèche se coince dans de l'acier renforcé ou se bloque dans un coin). Pour remettre la machine en marche, relâchez l'interrupteur de marche/arrêt, puis réactivez-le.

La fonction de contrôle des risques de rebond ne peut s'activer que lorsque l'outil électrique fonctionne à la vitesse maximum et quand il peut tourner librement autour de l'axe du foret de perçage.

Insertion et retrait du bloc-piles

Régler le levier de marche avant/arrière dans la position centrale (arrêt). Faites glisser le bloc-piles dans le boîtier jusqu'à ce que le bloc-piles se bloque en place.

Votre outil est muni d'un mécanisme de verrouillage secondaire pour empêcher que le bloc-piles ne sorte complètement de la poignée au cas où il se détacherait de celle-ci en conséquence des vibrations.

Pour retirer le bloc-piles, appuyez sur le bouton de libération du bloc-piles et faites glisser le bloc-piles complètement en dehors du boîtier de l'outil (Fig. 11).

Fig. 10

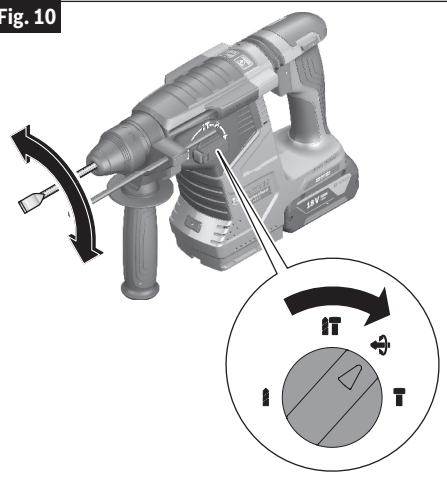
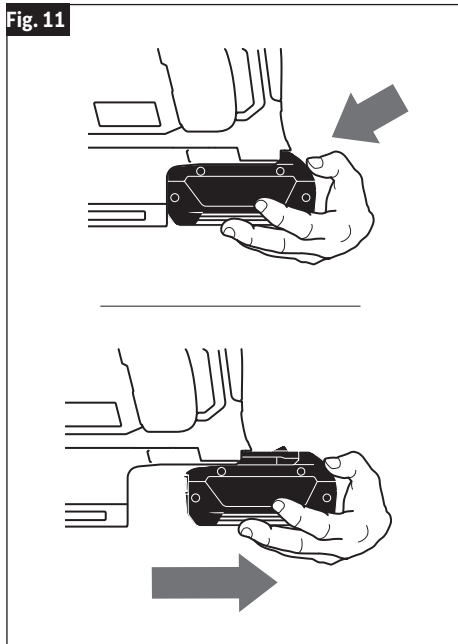


Fig. 11



Instrucciones de funcionamiento

Conseil relatifs à l'utilisation de l'outil

Suivez ces quelques conseils très simples pour réduire l'usure de l'outil et les risques de blessure de l'opérateur.

REMARQUE : L'efficacité élevée des marteaux rotatifs ne peut être obtenue que si des accessoires tranchants et en bon état sont utilisés. Le "coût" de l'entretien d'accessoires tranchants en bon état est plus que compensé par le « gain de temps » résultant de l'emploi de l'outil avec des accessoires tranchants.

Vous prolongerez la durée de vie de vos embouts et vous ferez un travail plus soigné si vous mettez toujours l'embout en contact avec l'ouvrage AVANT de tirer sur la gâchette. Pendant le fonctionnement, tenez fermement la perceuse et exercez une pression constante, mais modérée. Une pression excessive à basse vitesse fera caler le marteau. Une pression insuffisante empêchera l'embout de couper et causera des frottements excessifs en glissant sur la surface. Ceci pourrait causer des dommages à la perceuse aussi bien qu'à la mèche.

Les tiges de tous les mèches de perçage doivent être nettoyées avant leur utilisation et tout de suite après leur retrait.

Souvenez-vous de ces instructions pour pouvoir utiliser l'outil en toute sécurité :

1. Certains matériaux nécessitent des vitesses de perçage lentes, tandis que d'autres nécessitent des vitesses plus rapides afin de produire les meilleurs résultats possibles.
2. Tous les ouvrages doivent être supportés ou sécurisés avant de commencer le perçage et une pression constante et uniforme doit être appliquée dans le sens du mouvement de la mèche de perçage.
3. Lorsque la mèche atteint le côté opposé, réduisez la pression et continuez à laisser tourner la mèche à vide pendant son retrait.

Des matériaux tels que le verre, la porcelaine, la céramique, les carreaux, les plastiques, etc. doivent être percés à faible vitesse, avec des embouts spécialement conçus et l'application de lubrifiants appropriés.

Perçage de bois ou de plastique

Si vous n'utilisez pas de bloc de support, relâchez la pression juste avant que la mèche ne perce le côté opposé du bois pour éviter l'éclatement du matériau à proximité du trou. Effectuez la finition du trou depuis le côté opposé immédiatement après que la mèche aura fini de percer le trou. Si la mèche se coince, inversez le sens de rotation de la mèche afin de faciliter son retrait de l'ouvrage.

Perçage de métal

Réalisez une petite entaille dans le matériau à l'endroit désiré pour faciliter le perçage. Exercez suffisamment de pression pour permettre à la mèche de continuer à couper. Si vous laissez la mèche tourner à vide dans le trou, elle s'émoussera au bout de très peu de temps. Lorsque vous percez un trou de grand diamètre, faites un petit trou pour commencer et agrandissez-le progressivement pour atteindre la taille requise. Ceci sera plus rapide et consommera moins d'énergie. Lubrifiez occasionnellement la pointe de la mèche avec de l'HUILE DE COUPE pour pouvoir percer plus facilement le métal. Si la mèche se coince, inversez le sens de rotation de la mèche afin de faciliter son retrait de l'ouvrage.

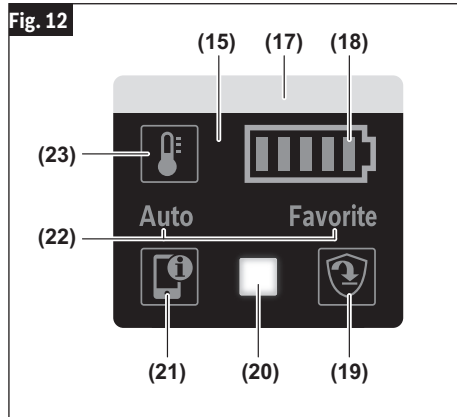
Perçage de maçonnerie

Utilisez un embout à pointe au carbure pour maçonnerie si vous devez couper des blocs de béton de mâchefer, du mortier, de pierre tendre et d'autres matériaux de ce genre. La pression à exercer dépend du type de matériau à percer. Les matériaux tendres nécessitent moins de pression que les matériaux durs pour éviter que la mèche de la perceuse ne tourne à vide.

Instrucciones de funcionamiento

User Interface

The user interface (15) is used to select the working mode and to indicate the status of the power tool (Fig. 12).



Indicaciones de estado

Estado de la herramienta eléctrica (17)	Significado/causa	Solución
Verde	Estado bueno	–
Amarillo	Se ha alcanzado la temperatura crítica o la batería recargable está casi vacía	Deje que la herramienta eléctrica se enfríe o reemplace o cargue la batería
Rojo	La herramienta eléctrica se ha sobrecalentado o la batería recargable está vacía	Deje que la herramienta eléctrica se enfríe o reemplace o cargue la batería
Rojo	Interruptor selector de impacto/modo activado durante la utilización	Apague la herramienta eléctrica y enciéndala de nuevo
	El motor está atorado, la batería está demasiado débil	Cargue la batería o utilice el tipo de batería recomendado
	Error general	– Apague la herramienta eléctrica y enciéndala de nuevo, o retire el paquete de batería y reinsértelo Si el error persiste: – Envíe la herramienta eléctrica al servicio posventa
Parpadea en rojo – En combinación con el indicador del control antirretroceso (19)	El control de antirretroceso está activado	Apague la herramienta eléctrica y enciéndala de nuevo
Parpadea en azul	La herramienta eléctrica está conectada a un dispositivo móvil a través de Bluetooth®	– o se está transfiriendo la configuración

Instrucciones de funcionamiento

Indicador de carga de la batería (interfaz) (18)	Significado/causa	Solución
Verde (2 a 5 barras)	Batería cargada	–
Amarillo (1 barra)	Batería casi vacía	Reemplace o cargue la batería pronto
Rojo (1 barra)	Batería vacía	Reemplace o cargue la batería

Indicador de temperatura (23)	Significado/causa	Solución
Amarillo	La temperatura de funcionamiento de la batería o de la herramienta eléctrica ha aumentado significativamente, el rendimiento se ha reducido	Deje que la herramienta eléctrica se enfríe o reemplace la batería sobrecalentada
Rojo	La temperatura de funcionamiento de la batería o de la herramienta eléctrica se ha excedido, la herramienta eléctrica se apaga a sí misma como medida de precaución	Deje que la herramienta eléctrica se enfríe o reemplace la batería sobrecalentada

Indicador de estado del teléfono inteligente (21)	Significado/causa	Solución
Blanco	Información importante disponible (p. ej., advertencia de temperatura)	Lea el mensaje en el teléfono inteligente

Botón de modo de trabajo (20)

Selección del modo de trabajo:

Presione repetidamente el botón **(20)** para seleccionar el modo de trabajo hasta que el modo de trabajo que usted requiera se ilumine.

Nota: En el modo de trabajo Favorite, las funciones se configuran a través de la app de del teléfono inteligente, mientras que las funciones están preajustadas en el modo de trabajo **Auto**.

Indicador de modo de trabajo (22)	Funciones
Auto se ilumina	En el modo de trabajo Auto, la herramienta eléctrica alcanza el rendimiento máximo. – 100 % de la velocidad máxima – Apagado rápido (control antirretroceso)
Favorite se ilumina	En el modo de trabajo Favorite, la herramienta eléctrica se puede configurar individualmente a través de la app del teléfono inteligente. – La velocidad se puede configurar en varias posiciones para diferentes aplicaciones: Velocidad baja/intermedia/alta (100 % de la velocidad máxima)

Conectividad

Bluetooth®

⚠️ ADVERTENCIA Compruebe siempre la configuración de la herramienta antes de utilizarla. Es posible que la configuración sea distinta que cuando la herramienta se utilizó por última vez. El módulo de conectividad permite transferir los datos y la configuración basándose en la tecnología inalámbrica Bluetooth®. Con el módulo instalado, ciertos ajustes selectos de la herramienta podrán ser cambiados remotamente por un dispositivo Bluetooth® apareado y una aplicación instalada por el usuario.

⚠️ ADVERTENCIA Esta herramienta está equipada con una interfaz de radio. Se deberán acatar las restricciones de utilización locales, p. ej., bases militares u hospitales. Los transmisores han demostrado capacidad para interferir accidentalmente con otros dispositivos.

Piense en la seguridad

LA SEGURIDAD ES UNA COMBINACIÓN DE SENTIDO COMÚN Y ALERTA POR PARTE DEL OPERADOR EN TODO MOMENTO CUANDO SE ESTÉ USANDO LA HERRAMIENTA.

Precaución de la FCC

El fabricante no es responsable de la interferencia radioeléctrica causada por modificaciones no autorizadas a este equipo. Dichas modificaciones podrían anular la autoridad del usuario para utilizar el equipo.

Este dispositivo cumple con la Parte 15 de las Reglas de la FCC. Su funcionamiento está sujeto a las dos condiciones siguientes:

- 1) Este dispositivo no podrá causar interferencia perjudicial y
- 2) Este dispositivo debe aceptar cualquier interferencia recibida, incluyendo interferencia que pueda causar un funcionamiento no deseado.

¡NOTA! Este equipo ha sido sometido a pruebas y se ha comprobado que cumple con los límites para dispositivos digitales de Clase B, conforme a la Parte 15 de las reglas de la FCC. Estos límites están diseñados para proporcionar una protección razonable contra la interferencia perjudicial en una instalación residencial. Este equipo genera, utiliza y puede emitir energía de radiofrecuencia y, si no se instala y utiliza de

acuerdo con las instrucciones, es posible que cause interferencia perjudicial para las radiocomunicaciones. Sin embargo, no hay garantía de que no vaya a ocurrir interferencia en una instalación específica. Si este equipo causa interferencia perjudicial para la recepción de radio o televisión, lo cual se puede determinar apagando y encendiendo el equipo, se insta al usuario a intentar corregir la interferencia mediante una o más de las siguientes medidas:

- Reoriente o reubique la antena receptora.
- Aumente la separación entre el equipo y el receptor.
- Conecte el equipo en un tomacorriente de un circuito distinto al circuito al cual el receptor está conectado.
- Consulte al distribuidor o a un técnico de radio/TV que tenga experiencia para obtener ayuda.

“Exposición a señales de radiofrecuencia (RF): El dispositivo inalámbrico es un radiotransmisor y radorreceptor. Está diseñado y fabricado para no exceder el límite de emisiones para la exposición a energía de radiofrecuencia (RF) establecido por el Ministerio de Salud (Canadá), Código de Seguridad 6. Estos límites son parte de las directrices exhaustivas y los niveles de energía de RF permitidos que se han establecido para la población general.

Estas directrices se basan en los estándares de seguridad establecidos previamente por los organismos de estándares internacionales. Estos estándares incluyen un margen de seguridad sustancial diseñado para garantizar la seguridad de todas las personas, independientemente de su edad o salud.

Este dispositivo y su antena no deben estar cubiertos ni funcionando en combinación con ninguna otra antena o transmisor.

Industry Canada

Este dispositivo cumple con el estándar o los estándares RSS exentos de licencia de Industry Canada. Su utilización está sujeta a las dos condiciones siguientes:

- (1) este dispositivo no podrá causar interferencia y
- (2) este dispositivo debe aceptar cualquier interferencia, incluyendo interferencia que pueda causar un funcionamiento no deseado del dispositivo.

Conectividad

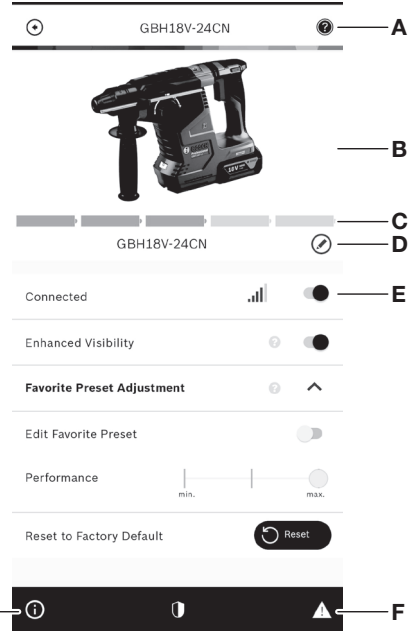
Using 'Bosch Toolbox' app

Instale la aplicación "Bosch Toolbox" en su dispositivo móvil o asegúrese de estar ejecutando la última versión de la aplicación.

Lance la aplicación "Bosch ToolBox" en su dispositivo móvil y haga clic en el ícono/mosaico "My Tools" (Mis herramientas). Siga las instrucciones de la aplicación para emparejar la herramienta con el dispositivo móvil.

Después de aparear su herramienta con un dispositivo móvil, puede ajustar ciertas funciones o comprobar el estado de la herramienta eléctrica utilizando la aplicación Bosch Toolbox.

- A. Botón de ayuda:** Al presionar suavemente este botón aparecerá la pantalla de ayuda.
- B. Foto de la herramienta:** Al presionar suavemente en la foto usted podrá personalizar la fotografía de la herramienta.
- C. Estado de carga de la batería de la herramienta eléctrica:** El número de "baterías" verdes indica el nivel de carga estimado del paquete de batería.
- D. Apodo de la herramienta eléctrica:** Al golpear suavemente en el ícono de "lápiz" se le permitirá personalizar el apodo de la herramienta. También podrá hacerlo cuando cambie la foto de la herramienta.
- E. Barra de estado de conexión:** Aquí usted puede ver la fuerza de (la señal de) conexión indicada por barras verticales. Puede usar el interruptor basculante para desconectar la herramienta de su dispositivo móvil.
- F. Alertas de la herramienta:** Al presionar suavemente el "triángulo de alertas" se mostrará cualquier alerta recibida de la herramienta.
- G. Botón de información:** Muestra la información y las especificaciones de la herramienta.



Extracción de polvo

Para operaciones de taladrado solamente:

Los aditamentos de extracción de polvo Bosch HDC200 y HDC250 están diseñados para utilizarse en aplicaciones de taladrado en materiales tipo concreto y mampostería.

Capacidad de taladrado	
HDC 200	HDC 250
6 - 35mm (¼" - 13/8")	57 - 127mm (2¼" - 5")
66.7mm (25/8") máxima *	152mm (6") máxima **
* el anillo con cepillo 2 se debe retirar para diámetros mayores de 35mm (13/8").	** el anillo con cepillo 2 se debe retirar para diámetros mayores de 127mm (5").

El **HDC200** está optimizado para utilizarse con diámetros de broca taladradora desde 1/4 de pulgada hasta 1-3/8 pulgadas. El diámetro de broca máximo es 2-5/8 pulgadas. Cuando se utilice con el anillo con cepillo (2), el diámetro de broca máximo no deberá ser mayor de 1-3/8 pulgadas.

El **HDC250** está diseñado para utilizarse con brocas de diámetro grande, incluyendo brocas sacanúcleos con puntas de diamante y de carburo. Está optimizado para diámetros de broca desde 2-1/4 pulgadas hasta 5 pulgadas. El diámetro de broca máximo es 6 pulgadas. Cuando se utilice con el anillo con cepillo (2), el diámetro de broca máximo no deberá ser mayor de 5 pulgadas.

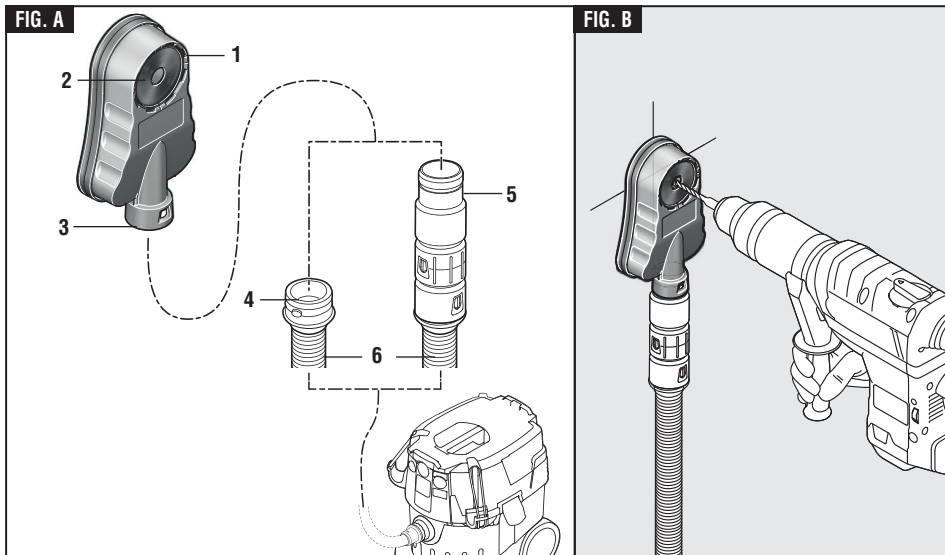
Inserte la manguera de aspiración (6) procedente del extractor de polvo/aspiradora en el orificio para polvo (3) de la unidad de extracción de polvo (Fig. A).

El extractor de polvo/aspiradora Bosch ofrece dos métodos para conectar la manguera al aditamento de extracción de polvo: boquilla de manguito (5) y conector de ajuste a presión (4). Para utilizar la boquilla de manguito, deslice la boquilla hacia el interior del orificio para polvo del aditamento. Para utilizar el conector de ajuste a presión con el fin de realizar una conexión más segura, retire la boquilla de caucho (5) de la manguera de aspiración (6). Presione el conector de ajuste a presión hacia el interior del orificio para polvo (3) hasta que oiga un clic (Fig. A).

También hay adaptadores de orificio para polvo disponibles para conectar el aditamento de extracción de polvo Bosch a cualquier manguera de aspiración de tamaño común. Visite Boschtools.com para obtener detalles.

Encienda el extractor de polvo/aspiradora y coloque el aditamento (1) en la pared (o el piso), sobre la ubicación de taladrado deseada, de manera que el centro del agujero se alinee con el centro de la abertura del anillo con cepillo (2).

Nota: la succión del extractor de polvo/aspiradora sujetará el aditamento en la posición correcta sobre la superficie de trabajo. Coloque la broca taladradora a través de la abertura del anillo con cepillo en la ubicación de taladrado deseada y taladre el agujero deseado (Fig. B). En ciertas situaciones en las que se requiera un taladrado preciso del agujero, coloque primero la broca taladradora a través de la abertura del anillo con cepillo (2), en el aditamento (1), y posicione la punta de la broca taladradora en la ubicación de taladrado deseada. Siga todas las instrucciones de seguridad y utilización de la herramienta.



Extracción de polvo

Nota: para obtener los mejores resultados, continúe teniendo la herramienta en funcionamiento cuando saque la broca del agujero. La combinación de la aspiración con el movimiento

giratorio de la broca ayuda a sacar la mayor parte del polvo del agujero.

Consulte el manual de instrucciones Bosch HDC200 y HDC250 para obtener más detalles.

Mantenimiento

⚠ ADVERTENCIA Para evitar accidentes, desconecte siempre la herramienta y/o el cargador de la fuente de energía antes de la limpieza.

Servicio

⚠ ADVERTENCIA NO HAY PIEZAS EN EL INTERIOR QUE PUEDAN SER AJUSTADAS O REPARADAS POR EL USUARIO. El mantenimiento preventivo realizado por personal no autorizado puede dar lugar a la colocación incorrecta de cables y componentes internos que podría constituir un peligro serio.

Recomendamos que todo el servicio de las herramientas sea realizado en un Centro de servicio de fábrica Bosch o en una Estación de servicio Bosch autorizada. **TECNICOS DE REPARACIONES:** Desconecten la herramienta y/o el cargador de la fuente de energía antes de realizar servicio de ajustes y reparaciones.

Baterías

Esté alerta a los paquetes de baterías que estén aproximándose al final de su vida útil. Si observa una disminución del rendimiento de la herramienta o un tiempo de funcionamiento significativamente más corto entre cargas, entonces ha llegado el momento de cambiar el paquete de baterías. Si no se hace esto, el resultado puede ser que la herramienta funcione incorrectamente o que el cargador se dañe.

Lubricación de las herramientas

Su herramienta Bosch ha sido lubricada adecuadamente y está lista para la utilización.

Motores

El motor de la herramienta ha sido diseñado para muchas horas de servicio fiable. Para mantener un rendimiento óptimo del motor, recomendamos que éste sea examinado cada seis meses. Sólo se debe usar un motor de repuesto Bosch genuino diseñado especialmente para la herramienta.

Reemplazo de la batería tipo moneda incorporada

⚠ ADVERTENCIA La batería tipo moneda debe reemplazarse siempre por una batería tipo moneda del mismo tipo. Es posible que la utilización de una batería tipo moneda diferente cause daños a la herramienta y daños materiales y lesiones.

Usted recibirá una notificación a través de la app Bosch Toolbox si la batería tipo moneda está demasiado débil o si está agotada. El reemplazo de la batería tipo moneda debe ser realizado por Bosch o por un centro de servicio posventa autorizado para trabajar con herramientas eléctricas Bosch.

Limpieza

⚠ PRECAUCION Ciertos agentes de limpieza y disolventes dañan las piezas de plástico. Algunos de estos son: gasolina, tetracloruro de carbono, disolventes de limpieza clorados, amoníaco y detergentes domésticos que contienen amoníaco.

Las aberturas de ventilación y las palancas de interruptor deben mantenerse limpias y libres de materias extrañas. No intente limpiar introduciendo objetos puntiagudos a través de las aberturas.

Accesorios

⚠ ADVERTENCIA No utilice aditamentos/accesorios que no sean los especificados por Bosch. Es posible que el uso de aditamentos/accesorios no especificados para utilizarse con la herramienta descrita en este manual cause daños a la herramienta, daños materiales y/o lesiones corporales.

Almacene los accesorios en un ambiente seco y templado para evitar la corrosión y el deterioro.

Equipo estándar	Accesorios opcionales
<ul style="list-style-type: none">- Mango auxiliar de 360°- Calibre de profundidad	<ul style="list-style-type: none">- Mandril de 3 mordazas- Aditamentos de extracción de polvo

Licenses

Copyright © 2012-2015, Infineon Technologies AG

All rights reserved.

Redistribution and use in source and binary forms, with or without modification, are permitted provided that the following conditions are met:

- Redistributions of source code must retain the above copyright notice, this list of conditions and the following disclaimer.
- Redistributions in binary form must reproduce the above copyright notice, this list of conditions and the following disclaimer in the documentation and/or other materials provided with the distribution.
- Neither the name of the copyright holders nor the names of its contributors may be used to endorse or promote products derived from this software without specific prior written permission.

THIS SOFTWARE IS PROVIDED BY THE COPYRIGHT HOLDERS AND CONTRIBUTORS "AS IS" AND ANY EXPRESS OR IMPLIED WARRANTIES, INCLUDING, BUT NOT LIMITED TO, THE IMPLIED WARRANTIES OF MERCHANTABILITY AND FITNESS FOR A PARTICULAR PURPOSE ARE DISCLAIMED. IN NO EVENT SHALL THE COPYRIGHT OWNER OR CONTRIBUTORS BE LIABLE FOR ANY DIRECT, INDIRECT, INCIDENTAL, SPECIAL, EXEMPLARY, OR CONSEQUENTIAL DAMAGES (INCLUDING, BUT NOT LIMITED TO, PROCUREMENT OF SUBSTITUTE GOODS OR SERVICES; LOSS OF USE, DATA, OR PROFITS; OR BUSINESS INTERRUPTION) HOWEVER CAUSED AND ON ANY THEORY OF LIABILITY, WHETHER IN CONTRACT, STRICT LIABILITY, OR TORT (INCLUDING NEGLIGENCE OR OTHERWISE) ARISING IN ANY WAY OUT OF THE USE OF THIS SOFTWARE, EVEN IF ADVISED OF THE POSSIBILITY OF SUCH DAMAGE.

MIT License

Copyright © 2015 Grigori Goronzy <goronzy@kinoho.net>

Permission is hereby granted, free of charge, to any person obtaining a copy of this software and associated documentation files (the "Software"), to deal in the Software without restriction, including without limitation the rights to use, copy, modify, merge, publish, distribute, sublicense, and/or sell copies of the Software, and to permit persons to whom the Software is furnished to do so, subject to the following conditions:

The above copyright notice and this permission notice shall be included in all copies or substantial portions of the Software.

THE SOFTWARE IS PROVIDED "AS IS", WITHOUT WARRANTY OF ANY KIND, EXPRESS OR IMPLIED, INCLUDING BUT NOT LIMITED TO THE WARRANTIES OF MERCHANTABILITY, FITNESS FOR A PARTICULAR PURPOSE AND NONINFRINGEMENT. IN NO EVENT SHALL THE AUTHORS OR COPYRIGHT HOLDERS BE LIABLE FOR ANY CLAIM, DAMAGES OR OTHER LIABILITY, WHETHER IN AN ACTION OF CONTRACT, TORT OR OTHERWISE, ARISING FROM, OUT OF OR IN CONNECTION WITH THE SOFTWARE OR THE USE OR OTHER DEALINGS IN THE SOFTWARE.

Copyright © 2017–2018 STMicroelectronics

All rights reserved.

Redistribution and use in source and binary forms, with or without modification, are permitted provided that the following conditions are met:

- Redistributions of source code must retain the above copyright notice, this list of conditions and the following disclaimer.
- Redistributions in binary form must reproduce the above copyright notice, this list of conditions and the following disclaimer in the documentation and/or other materials provided with the distribution.

Licenses

- Neither the name of STMicroelectronics nor the names of its contributors may be used to endorse or promote products derived from this software without specific prior written permission.

THIS SOFTWARE IS PROVIDED BY THE COPYRIGHT HOLDERS AND CONTRIBUTORS “AS IS” AND ANY EXPRESS OR IMPLIED WARRANTIES, INCLUDING, BUT NOT LIMITED TO, THE IMPLIED WARRANTIES OF MERCHANTABILITY AND FITNESS FOR A PARTICULAR PURPOSE ARE DISCLAIMED. IN NO EVENT SHALL THE COPYRIGHT OWNER OR CONTRIBUTORS BE LIABLE FOR ANY DIRECT, INDIRECT, INCIDENTAL, SPECIAL, EXEMPLARY, OR CONSEQUENTIAL DAMAGES (INCLUDING, BUT NOT LIMITED TO, PROCUREMENT OF SUBSTITUTE GOODS OR SERVICES; LOSS OF USE, DATA, OR PROFITS; OR BUSINESS INTERRUPTION) HOWEVER CAUSED AND ON ANY THEORY OF LIABILITY, WHETHER IN CONTRACT, STRICT LIABILITY, OR TORT (INCLUDING NEGLIGENCE OR OTHERWISE) ARISING IN ANY WAY OUT OF THE USE OF THIS SOFTWARE, EVEN IF ADVISED OF THE POSSIBILITY OF SUCH DAMAGE.

Copyright (c) 2018 STMicroelectronics International N.V.

All rights reserved.

Redistribution and use in source and binary forms, with or without modification, are permitted, provided that the following conditions are met:

- Redistribution of source code must retain the above copyright notice, this list of conditions and the following disclaimer.
- Redistributions in binary form must reproduce the above copyright notice, this list of conditions and the following disclaimer in the documentation and/or other materials provided with the distribution.
- Neither the name of STMicroelectronics nor the names of other contributors to this software may be used to endorse or promote products derived from this software without specific written permission.
- This software, including modifications and/or derivative works of this software, must execute solely and exclusively on microcontroller or microprocessor devices manufactured by or for STMicroelectronics.
- Redistribution and use of this software other than as permitted under this license is void and will automatically terminate your rights under this license.

THIS SOFTWARE IS PROVIDED BY STMICROELECTRONICS AND CONTRIBUTORS “AS IS” AND ANY EXPRESS, IMPLIED OR STATUTORY WARRANTIES, INCLUDING, BUT NOT LIMITED TO, THE IMPLIED WARRANTIES OF MERCHANTABILITY, FITNESS FOR A PARTICULAR PURPOSE AND NON-INFRINGEMENT OF THIRD PARTY INTELLECTUAL PROPERTY RIGHTS ARE DISCLAIMED TO THE FULLEST EXTENT PERMITTED BY LAW. IN NO EVENT SHALL STMICROELECTRONICS OR CONTRIBUTORS BE LIABLE FOR ANY DIRECT, INDIRECT, INCIDENTAL, SPECIAL, EXEMPLARY, OR CONSEQUENTIAL DAMAGES (INCLUDING, BUT NOT LIMITED TO, PROCUREMENT OF SUBSTITUTE GOODS OR SERVICES; LOSS OF USE, DATA, OR PROFITS; OR BUSINESS INTERRUPTION) HOWEVER CAUSED AND ON ANY THEORY OF LIABILITY, WHETHER IN CONTRACT, STRICT LIABILITY, OR TORT (INCLUDING NEGLIGENCE OR OTHERWISE) ARISING IN ANY WAY OUT OF THE USE OF THIS SOFTWARE, EVEN IF ADVISED OF THE POSSIBILITY OF SUCH DAMAGE.

Licences

Copyright © 2012-2015, Infineon Technologies AG

Tous droits réservés.

La redistribution et l'utilisation sous formes source et binaire, avec ou sans modifications, sont autorisées à condition que les conditions suivantes soient remplies :

- Les redistributions du code source doivent conserver l'avis de droits d'auteur ci-dessus, cette liste de conditions et le rejet de responsabilité suivant.
- Les redistributions en format binaire doivent reproduire l'avis de droits d'auteur ci-dessus, cette liste de conditions et le rejet de responsabilité suivant dans la documentation et/ou les autres éléments fournis avec la distribution.
- Ni le nom des titulaires des droits d'auteur, ni les noms de ses contributeurs ne peuvent être utilisés pour approuver ou promouvoir des produits dérivés de ce logiciel sans autorisation écrite préalable spécifique.

CE LOGICIEL EST FOURNI PAR LES DÉTENTEURS DES DROITS D'AUTEUR ET LES CONTRIBUTEURS « EN L'ÉTAT », ET TOUTES GARANTIES EXPRESSES OU IMPLICITES, Y COMPRIS, MAIS SANS S'Y LIMITER, LES GARANTIES IMPLICITES DE QUALITÉ MARCHANDE ET D'ADÉQUATION À UN USAGE PARTICULIER, SONT REJETÉES. EN AUCUN CAS, LE TITULAIRE DU DROIT D'AUTEUR OU LES CONTRIBUTEURS NE POURRONT ÊTRE TENUS RESPONSABLES DE TOUT DOMMAGE DIRECT, INDIRECT, ACCESSOIRE, SPÉCIAL, EX-EMPLAIRE OU CONSÉCUTIF (Y COMPRIS, MAIS SANS S'Y LIMITER, L'ACQUISITION DE BIENS OU DE SERVICES DE SUBSTITUTION, LA PERTE D'UTILISATION, DE DONNÉES OU DE BÉNÉFICES, OU L'INTERRUPTION D'ACTIVITÉ), QUELLE QU'EN SOIT LA CAUSE ET QUELLE QUE SOIT LA THÉORIE DE RESPONSABILITÉ, QU'IL S'AGISSE D'UN CONTRAT, D'UNE RESPONSABILITÉ SANS FAUTE OU D'UN DÉLIT (Y COMPRIS LA NÉGLIGENCE OU AUTRE) DÉCOULANT DE QUELQUE MANIÈRE QUE CE SOIT DE L'UTILISATION DE CE LOGICIEL, MÊME S'ILS ONT ÉTÉ INFORMÉS DE LA POSSIBILITÉ DE TELS DOMMAGES.

MIT Licence

Copyright © 2015 Grigori Goronzy <goronzy@kinoho.net>

Une autorisation est accordée par la présente, gratuitement, à toute personne obtenant une copie de ce logiciel et des fichiers de documentation associés (le « Logiciel »), pour utiliser le logiciel sans restriction, y compris, sans s'y limiter, les droits d'utilisation, de copie, de modification, de fusion, de publication, de distribution, d'octroi de sous-licence et/ou de vente de copies du logiciel, et pour autoriser les personnes auxquelles le logiciel est fourni à le faire, sous réserve des conditions suivantes :

L'avis de copyright ci-dessus et cet avis d'autorisation doivent être inclus dans toutes les copies ou dans toutes les parties substantielles du logiciel.

LE LOGICIEL EST FOURNI « TEL QUEL » SANS GARANTIE D'AUCUNE SORTE, EXPRESSE OU IMPLICITE, Y COMPRIS, MAIS SANS S'Y LIMITER, DES GARANTIES IMPLICITES DE QUALITÉ MARCHANDE, D'ADÉQUATION À UN USAGE PARTICULIER ET DE NON-VIOLATION. EN AUCUN CAS, LES AUTEURS OU LES DÉTENTEURS DE DROITS D'AUTEUR NE POURRONT ÊTRE TENUS RESPONSABLES DE TOUTE RÉCLAMATION, DE TOUT DOMMAGE OU DE TOUTE AUTRE RESPONSABILITÉ, QUE CE SOIT DANS LE CADRE D'UNE ACTION CONTRACTUELLE, DÉLICTUELLE OU AUTRE, DÉCOULANT DU LOGICIEL OU EN RELATION AVEC LE LOGICIEL, OU DE L'UTILISATION DU LOGICIEL OU DE TOUTE AUTRE TRANSACTION EN LIAISON AVEC LE LOGICIEL.

Licences

Copyright © 2017–2018 STMicroelectronics

Tous droits réservés.

La redistribution et l'utilisation sous formes source et binaire, avec ou sans modifications, sont autorisées à condition que les conditions suivantes soient remplies :

- Les redistributions du code source doivent conserver l'avis de droits d'auteur ci-dessus, cette liste de conditions et le rejet de responsabilité suivant.
- Les redistributions en format binaire doivent reproduire l'avis de droits d'auteur ci-dessus, cette liste de conditions et le rejet de responsabilité suivant dans la documentation et/ou les autres éléments fournis avec la distribution.
- Ni le nom de STMicroelectronics, ni les noms de ses contributeurs ne peuvent être utilisés pour approuver ou promouvoir des produits dérivés de ce logiciel sans autorisation écrite préalable spécifique.

CE LOGICIEL EST FOURNI PAR LES DÉTENTEURS DES DROITS D'AUTEUR ET LES CONTRIBUTEURS « EN L'ÉTAT », ET TOUTES GARANTIES EXPRESSES OU IMPLICITES, Y COMPRIS, MAIS SANS S'Y LIMITER, LES GARANTIES IMPLICITES DE QUALITÉ MARCHANDE ET D'ADÉQUATION À UN USAGE PARTICULIER, SONT REJETÉES. EN AUCUN CAS, LE TITULAIRE DU DROIT D'AUTEUR OU LES CONTRIBUTEURS NE POURRONT ÊTRE TENUS RESPONSABLES DE TOUT DOMMAGE DIRECT, INDIRECT, ACCESSOIRE, SPÉCIAL, EXEMPLAIRE OU CONSÉCUTIF (Y COMPRIS, MAIS SANS S'Y LIMITER, L'ACQUISITION DE BIENS OU DE SERVICES DE SUBSTITUTION, LA PERTE D'UTILISATION, DE DONNÉES OU DE BÉNÉFICES, OU L'INTERRUPTION D'ACTIVITÉ), QUELLE QU'EN SOIT LA CAUSE ET QUELLE QUE SOIT LA THÉORIE DE RESPONSABILITÉ, QU'IL S'AGISSE D'UN CONTRAT, D'UNE RESPONSABILITÉ SANS FAUTE OU D'UN DÉLIT (Y COMPRIS LA NÉGLIGENCE OU AUTRE) DÉCOULANT DE QUELQUE MANIÈRE QUE CE SOIT DE L'UTILISATION DE CE LOGICIEL, MÊME S'ILS ONT ÉTÉ INFORMÉS DE LA POSSIBILITÉ DE TELS DOMMAGES.

Copyright (c) 2018 STMicroelectronics International N.V.

Tous droits réservés.

La redistribution et l'utilisation sous formes source et binaire, avec ou sans modifications, sont autorisées à condition que les conditions suivantes soient remplies :

- Les redistributions du code source doivent conserver l'avis de droits d'auteur ci-dessus, cette liste de conditions et le rejet de responsabilité suivant.
- Les redistributions en format binaire doivent reproduire l'avis de droits d'auteur ci-dessus, cette liste de conditions et le rejet de responsabilité suivant dans la documentation et/ou les autres éléments fournis avec la distribution.
- Ni le nom de STMicroelectronics, ni les noms de ses contributeurs ne peuvent être utilisés pour approuver ou promouvoir des produits dérivés de ce logiciel sans autorisation écrite préalable spécifique.
- Ce logiciel, y compris les modifications et/ou les produits dérivés de ce logiciel, doit s'exécuter uniquement et exclusivement sur des dispositifs à microcontrôleur ou à microprocesseur fabriqués par ou pour STMicroelectronics.
- La redistribution et l'utilisation de ce logiciel d'une manière autre que celle autorisée par la présente licence sont nulles et non avenues, et elles mettent automatiquement fin à vos droits en vertu de cette licence.

CE LOGICIEL EST FOURNI PAR STMICROELECTRONICS ET LES CONTRIBUTEURS « TEL QUEL », ET TOUTE GARANTIE EXPRESSE, IMPLICITE OU LÉGALE, Y COMPRIS, MAIS SANS S'Y LIMITER, LES GARANTIES IMPLICITES DE QUALITÉ MARCHANDE, D'ADÉQUATION À UN USAGE PARTICULIER ET DE NON-VIOLATION DES DROITS DE PROPRIÉTÉ INTELLECTUELLE DE TIERS, SONT REJETÉES DANS TOUTE LA MESURE PERMISE PAR LA LOI. EN AUCUN CAS, STMICROELECTRONICS OU LES CONTRIBUTEURS NE POURRONT ÊTRE TENUS RESPONSABLES DE TOUT DOMMAGE DIRECT, INDIRECT, ACCESSOIRE, SPÉCIAL, EXEMPLAIRE OU CORRÉLATIF (Y COMPRIS, MAIS SANS S'Y LIMITER, L'ACQUISITION DE BIENS OU DE SERVICES DE SUBSTITUTION, LA PERTE D'UTILISATION, DE DONNÉES OU DE BÉNÉFICES, OU L'INTERRUPTION D'ACTIVITÉ), QUELLE QU'EN SOIT LA CAUSE ET QUELLE QUE SOIT LA THÉORIE DE RESPONSABILITÉ, QU'IL S'AGISSE D'UN CONTRAT, D'UNE RESPONSABILITÉ SANS FAUTE OU D'UN DÉLIT (Y COMPRIS LA NÉGLIGENCE OU AUTRE) DÉCOULANT DE QUELQUE MANIÈRE QUE CE SOIT DE L'UTILISATION DE CE LOGICIEL, MÊME S'ILS ONT ÉTÉ INFORMÉS DE LA POSSIBILITÉ DE TELS DOMMAGES.



© Robert Bosch Tool Corporation 1800 W. Central Road Mt. Prospect, IL 60056-2230

Exportado por: Robert Bosch Tool Corporation Mt. Prospect, IL 60056-2230, E.U.A.

Importado en México por: Robert Bosch, S.A. de C.V., Calle Robert Bosch No. 405, Zona Industrial,
Toluca, Edo. de México, C.P. 50070, Tel. (722) 2792300

1605A000XG 09/2022



1 6 0 5 A 0 0 0 X G

